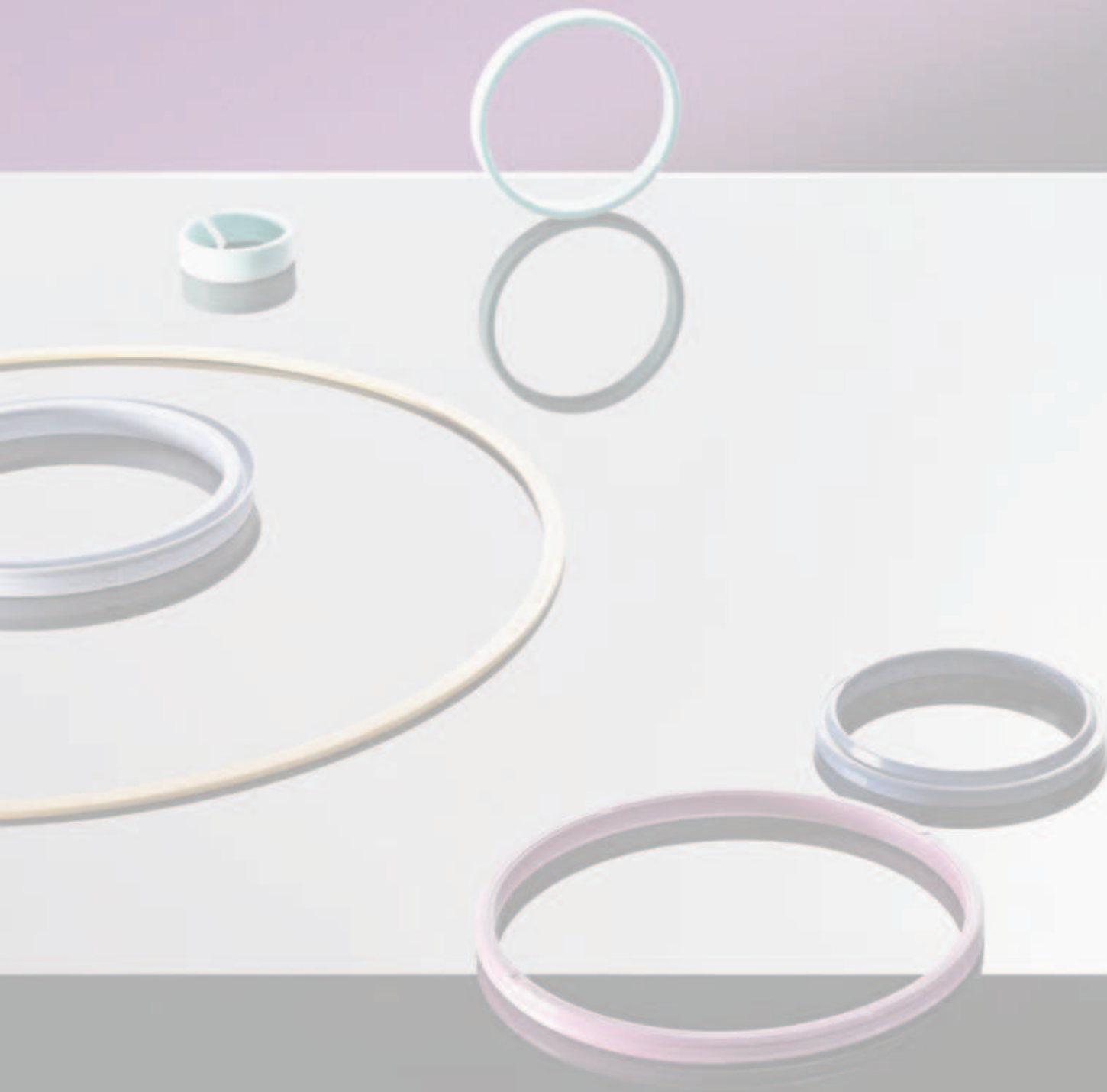


Oleodinamica/Pneumatica
Hydraulic/Pneumatic



ARTIC SEALS™

Listino Prezzi - Price List - EU - Euro € - 2010



Sealing Solutions



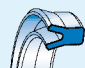






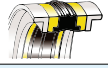
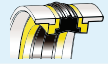









Gamma prodotti Product range

GUARNIZIONI STELO / ROD SEALS												
Condizioni massime non simultanee / Maximum conditions (not combined)												
Profilo Profile	Ns Rif. Our Ref.	Temperatura Temperature C°	Pressione Pressure Bar	Velocità Speed m/s	Materiale Material	TPU	POM	PTFE Bronze	NBR	TPE Resina PTFE Carbo.	Sezione Section	Pagina Page
	RSA	-35 +100	< 400	< 05	TPU	●					Idraulica Hydraulic	8
	RSB	-35 +100	< 400	< 0,5	TPU	●					Idraulica Hydraulic	11
	RSB2	-35 +100	< 500	< 0,5	TPU POM	●	○				Idraulica Hydraulic	14
	RSC	-35 +100	< 400	< 0,5	TPU	●					Idraulica Hydraulic	15
	RSD	-35 +100	< 400	< 0,5	TPU	●					Idraulica Hydraulic	17
	TSS	-30 +120	< 600	15	PTFE bronzo/ bronzes NBR			●	●		Idraulica Hydraulic	19
	RSO	-35 +100	< 400	< 0,5	TPU NBR	●			●		Idraulica Hydraulic	20
	RBR	-35 +100	< 400	< 0,8	TPU POM	●	○				Idraulica Hydraulic	21
	RPS	-35 +100	< 400	< 0,5	TPU	●					Idraulica Hydraulic	22
	RSP	-30 +90	< 20	< 1	TPU	●					Pneumatica Pneumatic	78
	SRS	-30 +90	< 20	< 1	TPU	●					Pneumatica Pneumatic	79
	SRS/N	-30 +100	< 12	< 1	NBR				●		Pneumatica Pneumatic	80



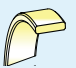



GUARNIZIONI AMMORTIZZO / CUSHION SEALS												
	CSA	-30 +90	< 20	< 1	TPU	●					Pneumatica Pneumatic	81


Malgrado le informazioni contenute in questo catalogo siano state ritenute accurate ed affidabili e siano state fornite in buona fede, non forniamo garanzie rispetto alla completezza e accuratezza delle informazioni. Il contenuto di questo catalogo è fornito a condizione che il lettore, prima di utilizzare il prodotto, faccia comunque le sue valutazioni e determinazioni per verificare che tale prodotto sia idoneo allo scopo. Non ci riteniamo responsabili per danni di qualsiasi natura o per qualsiasi altra cosa possa risultare dall'uso o affidamento delle informazioni incluse in questo catalogo o ai prodotti ai quali si riferisce. Prodotti o servizi qui indicati potrebbero non essere disponibili. E' proibita la riproduzione di tabelle, fotografie e dati, anche parziali e con qualsiasi sistema, anche elettronico. Ci riserviamo il diritto di aggiornare e modificare in qualsiasi momento, senza preventivo preavviso, metodi di produzione, ingredienti e caratteristiche dei materiali descritti in tutte le pagine.






We make no representation or warranties regarding the completeness or accuracy of the information, although recommendations and information on this catalogue, are believed to be accurate and correct and presented in good faith. The content of this catalogue is supplied upon the condition that the reader will make his own evaluation and determination to verify the suitability of the products for his purpose before using it. We won't be responsible for damages of any nature whatsoever resulting from the use of or reliance upon information included in this catalogue or the products to which the information refers. Products and services here indicated may be unavailable. Any reproduction of tables, pictures and data, even limited, by any system, even electronic, is forbidden. We reserve the right to update and modify production methods, ingredients and characteristics of the materials described in all pages at any time, without giving prior notice.

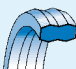


GUARNIZIONI PISTONE / PISTON SEALS												
Condizioni massime non simultanee / Maximum conditions (not combined)												
Profilo Profile	Ns Rif. Our Ref.	Temperatura Temperature C°	Pressione Pressure Bar	Velocità Speed m/s	Materiale Material	TPU	POM	PTFE Bronzo	NBR	TPE Resina PTFE Carbo. PTFE	Sezione Section	Pagina Page
	RPS	-35 +100	< 400	< 0,5	TPU	●					Idraulica Hydraulic	22
	PSA	-35 +100	< 400	< 0,5	TPU	●					Idraulica Hydraulic	25
	PAE	-35 +100	< 500	< 0,5	TPU POM	●	○				Idraulica Hydraulic	27
	PSH+RR	-35 +100	< 400	< 0,5	TPU POM	●	○				Idraulica Hydraulic	28
	PSO	-30 +100	< 250 < 500 <small>materiali standard standard materials</small>	< 0,5	TPU NBR	●		●			Idraulica Hydraulic	29
	PSQ	-30 +100	< 250 < 500 <small>materiali alternativi alternative materials</small>	< 0,5	TPU NBR	●		●			Idraulica Hydraulic	31
	TPD	-30 +120	< 600	15	PTFE bronzo/ bronze NBR			●	●		Idraulica Hydraulic	32
	KDSA	-30 +100	< 300	< 0,5	POM NBR TPE		○	●	●		Idraulica Hydraulic	33
	KDSB	-30 +100	< 300	< 0,5	POM NBR TPE		○	●	●		Idraulica Hydraulic	34
	KDSP	-30 +100	< 300	< 0,5	TPU POM	●	○				Idraulica Hydraulic	37
	KDAE	-30 +100	< 400	< 0,5	TPU TPE	●			●		Idraulica Hydraulic	38
	PSP	-30 +90	< 20	< 1	TPU	●					Pneumatica Pneumatic	82
	PSP/N	-30 +100	< 20	< 1	NBR			●			Pneumatica Pneumatic	84
	MPS	-30 +90	< 20	< 1	TPU	●					Pneumatica Pneumatic	85
	MPS/2	-30 +90	< 20	< 1	TPU	●					Pneumatica Pneumatic	86
	SPS	-30 +90	< 20	< 1	TPU	●					Pneumatica Pneumatic	87
	SPS/N	-30 +100	< 12	< 1	NBR			●			Pneumatica Pneumatic	88
	MPP	-30 +100	< 20	< 1	NBR STEEL			●			Pneumatica Pneumatic	89

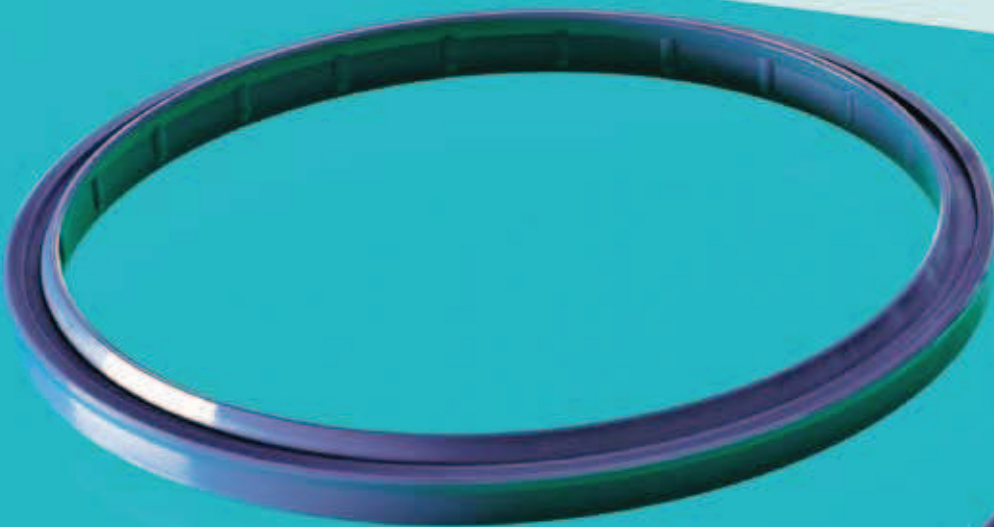
RASCHIATORI / WIPERS												
Condizioni massime non simultanee / Maximum conditions (not combined)												
Profilo Profile	Ns Rif. Our Ref.	Temperatura Temperature C°	Pressione Pressure Bar	Velocità Speed m/s	Materiale Material	TPU	POM	PTFE Bronzo	NBR	TPE Resina PTFE Carbo.	Sezione Section	Pagina Page
	WSL	-35 +100	-	< 1	TPU	●					Idraulica Hydraulic	48
	WSG	-35 +100	-	< 1	TPU STEEL	●					Idraulica Hydraulic	50
	R09	-30 +100	-	< 1	NBR STEEL			●			Idraulica Hydraulic	51
	WWS	-35 +100	-	< 1	TPU	●					Idraulica Hydraulic	52
	WAT	-35 +100	-	< 1	TPU	●					Idraulica Hydraulic	53
	TRD	-30 +120	-	< 15	PTFE bronzo/ bronze NBR			● ●			Idraulica Hydraulic	54
	WED	-35 +100	< 20	< 1	TPU	●					Idraulica Hydraulic	55
	WEL	-35 +100	-	< 1	TPU	●					Idraulica Hydraulic	57
	LWA	-30 +90	-	< 1	TPU	●					Pneumatica Pneumatic	94
	BWA	-30 +90	< 20	< 1	TPU	●					Pneumatica Pneumatic	95
	BWA/N	-30 +100	< 20	< 1	NBR			●			Pneumatica Pneumatic	96
	BWS	-30 +90	< 20	< 1	TPU	●					Pneumatica Pneumatic	97
	BWH	-30 +90	< 20	< 1	TPU	●					Pneumatica Pneumatic	99
	BWH/N	-30 +100	< 20	< 1	NBR STEEL			●			Pneumatica Pneumatic	100

ANELLI DI GUIDA / WEAR RINGS												
Condizioni massime non simultanee / Maximum conditions (not combined)												
Profilo Profile	Ns Rif. Our Ref.	Temperatura Temperature C°	Pressione Pressure Bar	Velocità Speed m/s	Materiale Material	TPU	POM	PTFE Bronze	NBR	TPE Resina PTFE Carbo.	Sezione Section	Pagina Page
	HIS HES	-40 +115	-	< 0,8	POM fibre di vetro glass fibres	○					Idraulica Hydraulic	39/42
	NG	-40 +200	-	15	PTFE bronzo/ bronze		●				Idraulica Hydraulic	45
	HPW I-E	-40 +130	-	< 1	Resina Fenolica					●	Idraulica Hydraulic	46/47
	ISA	-35 +115	-	< 1	POM modificato/ <i>mo- dified</i>	○					Pneumatica Pneumatic	90
	ESA	-40 +115	-	< 1	POM modificato/ <i>mo- dified</i>	○					Pneumatica Pneumatic	91
	NG	-40 +200	-	15	PTFE carbografite					●	Pneumatica Pneumatic	93

O-RING / O-RING											
	OR	vedi specifiche mescole o-ring see specifications of o-ring compounds								Statica Static	65

ANELLI ANTIESTRUSIONE / BACK-UP RINGS												
	RAE	-30 +120	-	< 0,8	TPE					●	Statica Static	66
	AKN	-30 +100	-	< 0,8	NBR				●		Statica Static	66
	AKC	-40 +200	-	< 0,8	PTFE					○	Statica Static	66
	AKW	-40 +200	-	< 0,8	PTFE					○	Statica Static	66
	AKS	-40 +200	-	< 0,8	PTFE					○	Statica Static	66

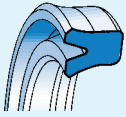
GUARNIZIONI STATICHE / STATIC SEALS												
	SSA	-35 +100	< 400	-	TPU	●					Statica Static	60
	FSA	-35 +100	< 500	-	TPU	●					Statica Static	63
	VRA	-35 +100	-	-	TPU	●					Statica Static	64



Sistemi di tenuta per oleodinamica
Hydraulic sealing systems

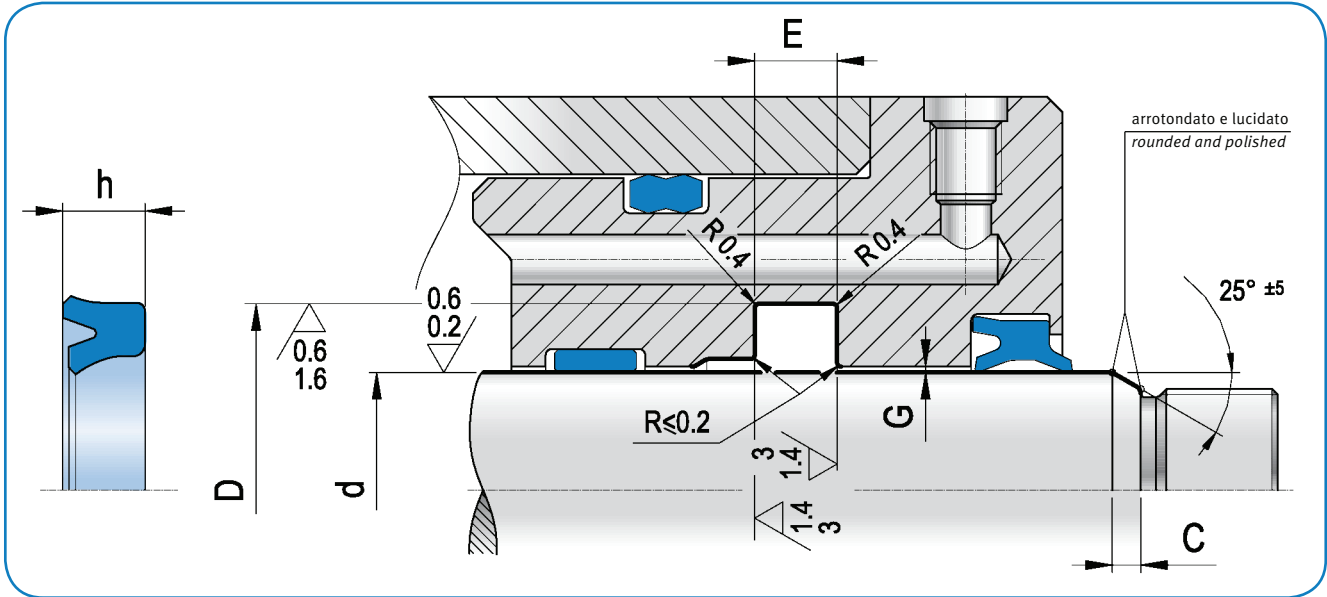


OLEODINAMICA
HYDRAULIC



RSA

TENUTA STELO - ROD SEAL



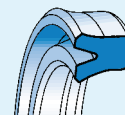
dh ₉	DH ₁₀	h	ART / ITEM	€ cad/each
* 6,0	14,0	5,7	RSA 0060 0140 057 C0	0,987
8,0	16,0	4,7	RSA 0080 0160 047 C0	0,987
* 8,0	16,0	5,7	RSA 0080 0160 057 C0	0,987
8,0	18,0	8,0	RSA 0080 0180 080 C0	1,026
* 10,0	18,0	5,7	RSA 0100 0180 057 C0	1,026
10,0	20,0	7,2	RSA 0100 0200 072 C0	1,047
* 12,0	20,0	5,0	RSA 0120 0200 050 C0	1,026
* 12,0	20,0	5,7	RSA 0120 0200 057 C0	1,026
12,0	22,0	4,7	RSA 0120 0220 047 C0	1,026
* 12,0	22,0	7,2	RSA 0120 0220 072 C0	1,047
* 14,0	22,0	5,7	RSA 0140 0220 057 C0	1,047
* 14,0	24,0	7,2	RSA 0140 0240 072 C0	1,118
15,0	23,0	5,7	RSA 0150 0230 057 C0	1,118
15,0	25,0	8,0	RSA 0150 0250 080 C0	1,140
16,0	20,6	3,3	RSA 0160 0206 033 C0	1,118
* 16,0	24,0	5,7	RSA 0160 0240 057 C0	1,118
* 16,0	26,0	7,2	RSA 0160 0260 072 C0	1,140
18,0	24,0	4,7	RSA 0180 0240 047 C0	1,140
* 18,0	26,0	5,7	RSA 0180 0260 057 C0	1,218
18,0	26,0	8,0	RSA 0180 0260 080 C0	1,311
* 18,0	28,0	7,2	RSA 0180 0280 072 C0	1,311
18,0	28,0	8,0	RSA 0180 0280 080 C0	1,311
20,0	26,0	5,0	RSA 0200 0260 050 C0	1,218
* 20,0	28,0	5,7	RSA 0200 0280 057 C0	1,218
20,0	28,0	6,2	RSA 0200 0280 062 C0	1,218
20,0	28,0	7,2	RSA 0200 0280 072 C0	1,311
* 20,0	30,0	7,2	RSA 0200 0300 072 C0	1,470

dh ₉	DH ₁₀	h	ART / ITEM	€ cad/each
20,0	30,0	8,0	RSA 0200 0300 080 C0	1,470
20,0	35,0	10,0	RSA 0200 0350 100 C0	1,539
* 22,0	30,0	5,7	RSA 0220 0300 057 C0	1,442
22,0	30,0	8,0	RSA 0220 0300 080 C0	1,470
22,0	32,0	7,2	RSA 0220 0320 072 C0	1,470
* 22,0	32,0	9,0	RSA 0220 0320 090 C0	1,470
24,0	34,0	7,2	RSA 0240 0340 072 C0	1,470
25,0	33,0	5,7	RSA 0250 0330 057 C0	1,380
* 25,0	33,0	6,3	RSA 0250 0330 063 C0	1,380
25,0	33,0	7,2	RSA 0250 0330 072 C0	1,470
25,0	33,0	10,0	RSA 0250 0330 010 C0	1,470
* 25,0	35,0	7,2	RSA 0250 0350 072 C0	1,470
25,0	38,0	9,0	RSA 0250 0380 090 C0	1,539
25,0	40,0	10,0	RSA 0250 0400 100 C0	1,539
28,0	36,0	5,7	RSA 0280 0360 057 C0	1,442
* 28,0	38,0	7,2	RSA 0280 0380 072 C0	1,470
28,0	38,0	8,0	RSA 0280 0380 080 C0	1,470
28,0	38,0	10,0	RSA 0280 0380 100 C0	1,539
28,0	40,0	8,5	RSA 0280 0400 085 C0	1,539
* 28,0	43,0	11,5	RSA 0280 0430 115 C0	1,572
30,0	38,0	5,7	RSA 0300 0380 057 C0	1,442
30,0	38,0	8,0	RSA 0300 0380 080 C0	1,539
30,0	40,0	5,7	RSA 0300 0400 057 C0	1,539
30,0	40,0	7,2	RSA 0300 0400 072 C0	1,539
30,0	40,0	9,5	RSA 0300 0400 095 C0	1,572
30,0	40,0	10,0	RSA 0300 0400 100 C0	1,572
30,0	43,0	9,0	RSA 0300 0430 090 C0	1,628

* in conformità alle norme ISO/DIN 5597 e ISO 5597/1 – in accordance with norms ISO/DIN 5597 and ISO 5597/1

RSA

TENUTA STELO - ROD SEAL



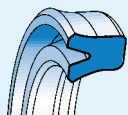
d _{h9}	D _{H10}	h	ART / ITEM	€ cad/each
30,0	45,0	8,0	RSA 0300 0450 080 C0	1,628
32,0	40,0	5,7	RSA 0320 0400 057 C0	1,539
32,0	40,0	8,0	RSA 0320 0400 080 C0	1,572
* 32,0	42,0	7,2	RSA 0320 0420 072 C0	1,572
32,0	42,0	10,0	RSA 0320 0420 100 C0	1,628
32,0	45,0	10,0	RSA 0320 0450 100 C0	1,734
32,0	47,0	10,0	RSA 0320 0470 100 C0	1,734
33,0	43,0	10,0	RSA 0330 0430 100 C0	1,680
35,0	43,0	5,7	RSA 0350 0430 057 C0	1,628
35,0	43,0	8,0	RSA 0350 0430 080 C0	1,680
35,0	45,0	7,2	RSA 0350 0450 072 C0	1,796
35,0	45,0	10,0	RSA 0350 0450 100 C0	1,832
35,0	46,0	8,0	RSA 0350 0460 080 C0	1,832
35,0	47,0	8,0	RSA 0350 0470 080 C0	1,832
35,0	50,0	10,0	RSA 0350 0500 100 C0	1,848
36,0	44,0	5,0	RSA 0360 0440 050 C0	1,743
36,0	44,0	5,7	RSA 0360 0440 057 C0	1,743
36,0	44,0	8,0	RSA 0360 0440 080 C0	1,796
* 36,0	46,0	7,2	RSA 0360 0460 072 C0	1,796
36,0	46,0	10,0	RSA 0360 0460 100 C0	1,832
36,0	48,0	7,0	RSA 0360 0480 070 C0	1,832
36,0	48,0	8,0	RSA 0360 0480 080 C0	1,848
36,0	51,0	10,0	RSA 0360 0510 100 C0	1,993
* 36,0	51,0	11,5	RSA 0360 0510 115 C0	2,006
38,0	44,5	4,7	RSA 0380 0445 047 C0	1,848
38,0	45,0	6,2	RSA 0380 0450 062 C0	1,848
40,0	48,0	5,7	RSA 0400 0480 057 C0	1,993
40,0	48,0	8,0	RSA 0400 0480 080 C0	2,006
* 40,0	50,0	7,2	RSA 0400 0500 072 C0	2,006
40,0	50,0	9,0	RSA 0400 0500 090 C0	2,056
* 40,0	50,0	10,0	RSA 0400 0500 100 C0	2,056
40,0	52,0	8,0	RSA 0400 0520 080 C0	2,056
40,0	55,0	10,0	RSA 0400 0550 100 C0	2,056
* 40,0	55,0	11,5	RSA 0400 0550 115 C0	2,105
40,0	60,0	12,0	RSA 0400 0600 120 C0	2,187
45,0	53,0	5,7	RSA 0450 0530 057 C0	2,056
45,0	53,0	10,0	RSA 0450 0530 100 C0	2,132
* 45,0	55,0	7,2	RSA 0450 0550 072 C0	2,132
45,0	55,0	10,0	RSA 0450 0550 100 C0	2,155
45,0	58,0	9,0	RSA 0450 0580 090 C0	2,147
45,0	60,0	10,0	RSA 0450 0600 100 C0	2,187
* 45,0	60,0	11,5	RSA 0450 0600 115 C0	2,218
45,0	65,0	12,0	RSA 0450 0650 120 C0	2,316
* 50,0	60,0	7,2	RSA 0500 0600 072 C0	2,147
50,0	60,0	10,0	RSA 0500 0600 100 C0	2,187

d _{h9}	D _{H10}	h	ART / ITEM	€ cad/each
50,0	60,0	12,0	RSA 0500 0600 120 C0	2,316
50,0	62,0	9,0	RSA 0500 0620 090 C0	2,187
50,0	63,0	10,0	RSA 0500 0630 100 C0	2,187
50,0	65,0	10,0	RSA 0500 0650 100 C0	2,218
* 50,0	65,0	11,5	RSA 0500 0650 115 C0	2,218
50,0	70,0	12,0	RSA 0500 0700 120 C0	2,316
52,0	62,0	10,0	RSA 0520 0620 100 C0	2,218
55,0	63,0	12,0	RSA 0550 0630 120 C0	2,316
55,0	65,0	7,2	RSA 0550 0650 072 C0	2,187
55,0	65,0	10,0	RSA 0550 0650 100 C0	2,218
55,0	68,0	10,0	RSA 0550 0680 100 C0	2,280
55,0	70,0	10,0	RSA 0550 0700 100 C0	2,316
55,0	75,0	12,0	RSA 0550 0750 120 C0	2,410
56,0	66,0	10,0	RSA 0560 0660 100 C0	2,280
56,0	71,0	10,0	RSA 0560 0710 100 C0	2,280
* 56,0	71,0	11,5	RSA 0560 0710 115 C0	2,316
56,0	71,0	12,5	RSA 0560 0710 125 C0	2,410
56,0	76,0	12,0	RSA 0560 0760 120 C0	2,316
56,0	76,0	15,0	RSA 0560 0760 150 C0	2,410
60,0	68,0	12,5	RSA 0600 0680 125 C0	2,316
60,0	70,0	7,2	RSA 0600 0700 072 C0	2,280
60,0	70,0	10,0	RSA 0600 0700 100 C0	2,316
60,0	72,0	8,0	RSA 0600 0720 080 C0	2,410
60,0	72,0	9,0	RSA 0600 0720 090 C0	2,410
60,0	73,0	10,0	RSA 0600 0730 100 C0	2,510
60,0	75,0	10,0	RSA 0600 0750 100 C0	2,410
60,0	75,0	11,5	RSA 0600 0750 115 C0	2,599
60,0	80,0	12,0	RSA 0600 0800 120 C0	2,687
63,0	73,0	12,0	RSA 0630 0730 120 C0	2,599
63,0	75,0	8,6	RSA 0630 0750 086 C0	2,510
63,0	78,0	10,0	RSA 0630 0780 100 C0	2,510
* 63,0	78,0	11,5	RSA 0630 0780 115 C0	2,510
63,0	83,0	15,0	RSA 0630 0830 150 C0	2,687
65,0	75,0	10,0	RSA 0650 0750 100 C0	2,510
65,0	77,0	8,6	RSA 0650 0770 086 C0	2,510
65,0	77,0	9,0	RSA 0650 0770 090 C0	2,510
65,0	80,0	10,0	RSA 0650 0800 100 C0	2,667
65,0	85,0	12,0	RSA 0650 0850 120 C0	2,687
* 70,0	80,0	7,2	RSA 0700 0800 072 C0	2,510
70,0	80,0	12,0	RSA 0700 0800 120 C0	2,599
70,0	82,0	8,6	RSA 0700 0820 086 C0	2,599
70,0	85,0	10,0	RSA 0700 0850 100 C0	2,639
* 70,0	85,0	11,5	RSA 0700 0850 115 C0	2,639
* 70,0	85,0	12,0	RSA 0700 0850 120 C0	2,667
* 70,0	90,0	15,0	RSA 0700 0900 150 C0	2,687

RSA
RSB
RSB2
RSC
RSD
TSS
RSO
RBR
RPS

OLEODINAMICA
HYDRAULIC

* in conformità alle norme ISO/DIN 5597 e ISO 5597/1 – in accordance with ISO/DIN 5597 and ISO 5597/1 norms



RSA

TENUTA STELO - ROD SEAL

d _{hg}	D _{H10}	h	ART / ITEM	€ cad/each
75,0	85,0	7,2	RSA 0750 0850 072 C0	2,639
75,0	87,0	8,6	RSA 0750 0870 086 C0	2,667
75,0	90,0	12,0	RSA 0750 0900 120 C0	2,687
75,0	95,0	12,0	RSA 0750 0950 120 C0	2,702
80,0	90,0	7,2	RSA 0800 0900 072 C0	2,639
80,0	90,0	10,0	RSA 0800 0900 100 C0	2,687
80,0	90,0	12,0	RSA 0800 0900 120 C0	2,702
80,0	92,0	8,6	RSA 0800 0920 086 C0	2,687
80,0	95,0	10,0	RSA 0800 0950 100 C0	2,702
* 80,0	95,0	11,5	RSA 0800 0950 115 C0	2,702
80,0	95,0	12,0	RSA 0800 0950 120 C0	2,751
80,0	100,0	12,0	RSA 0800 1000 120 C0	2,751
80,0	100,0	12,5	RSA 0800 1000 125 C0	2,764
* 80,0	100,0	15,0	RSA 0800 1000 150 C0	2,783
85,0	100,0	11,0	RSA 0850 1000 110 C0	2,751
85,0	100,0	12,0	RSA 0850 1000 120 C0	2,751
85,0	105,0	12,0	RSA 0850 1050 120 C0	2,764
90,0	100,0	11,5	RSA 0900 1000 115 C0	2,894
* 90,0	105,0	8,5	RSA 0900 1050 085 C0	2,783
* 90,0	105,0	11,5	RSA 0900 1050 115 C0	2,894
* 90,0	105,0	12,0	RSA 0900 1050 120 C0	2,894
90,0	110,0	12,0	RSA 0900 1100 120 C0	3,024
* 90,0	110,0	15,0	RSA 0900 1100 150 C0	3,123
95,0	110,0	12,0	RSA 0950 1100 120 C0	3,024
95,0	115,0	12,0	RSA 0950 1150 120 C0	3,123
100,0	115,0	12,0	RSA 1000 1150 120 C0	3,749
* 100,0	120,0	12,0	RSA 1000 1200 120 C0	3,862
* 100,0	120,0	15,0	RSA 1000 1200 150 C0	3,883
* 100,0	125,0	19,0	RSA 1000 1250 190 C0	4,763
105,0	120,0	11,5	RSA 1050 1200 115 C0	3,896

d _{hg}	D _{H10}	h	ART / ITEM	€ cad/each
105,0	125,0	12,0	RSA 1050 1250 120 C0	4,064
105,0	125,0	15,0	RSA 1050 1250 150 C0	4,195
110,0	125,0	11,0	RSA 1100 1250 110 C0	4,195
110,0	130,0	12,0	RSA 1100 1300 120 C0	4,268
* 110,0	130,0	15,0	RSA 1100 1300 150 C0	4,326
115,0	135,0	12,0	RSA 1150 1350 120 C0	4,543
120,0	135,0	11,5	RSA 1200 1350 115 C0	4,585
120,0	140,0	12,0	RSA 1200 1400 120 C0	4,585
120,0	140,0	15,0	RSA 1200 1400 150 C0	4,763
* 125,0	145,0	15,0	RSA 1250 1450 150 C0	4,912
130,0	150,0	12,0	RSA 1300 1500 120 C0	5,156
130,0	150,0	15,0	RSA 1300 1500 150 C0	5,261
* 140,0	160,0	15,0	RSA 1400 1600 150 C0	5,792
150,0	170,0	15,0	RSA 1500 1700 150 C0	8,274
160,0	180,0	12,0	RSA 1600 1800 120 C0	8,592
160,0	180,0	15,0	RSA 1600 1800 150 C0	8,697
170,0	190,0	15,0	RSA 1700 1900 150 C0	9,106
180,0	200,0	15,0	RSA 1800 2000 150 C0	10,274
190,0	210,0	15,0	RSA 1900 2100 150 C0	10,889
200,0	220,0	15,0	RSA 2000 2200 150 C0	12,594
200,0	225,0	16,0	RSA 2000 2250 160 C0	14,532
210,0	230,0	15,0	RSA 2100 2300 150 C0	15,929
220,0	240,0	15,0	RSA 2200 2400 150 C0	17,806
230,0	250,0	15,0	RSA 2300 2500 150 C0	17,990
240,0	260,0	15,0	RSA 2400 2600 150 C0	19,782
250,0	270,0	15,0	RSA 2500 2700 150 C0	23,006

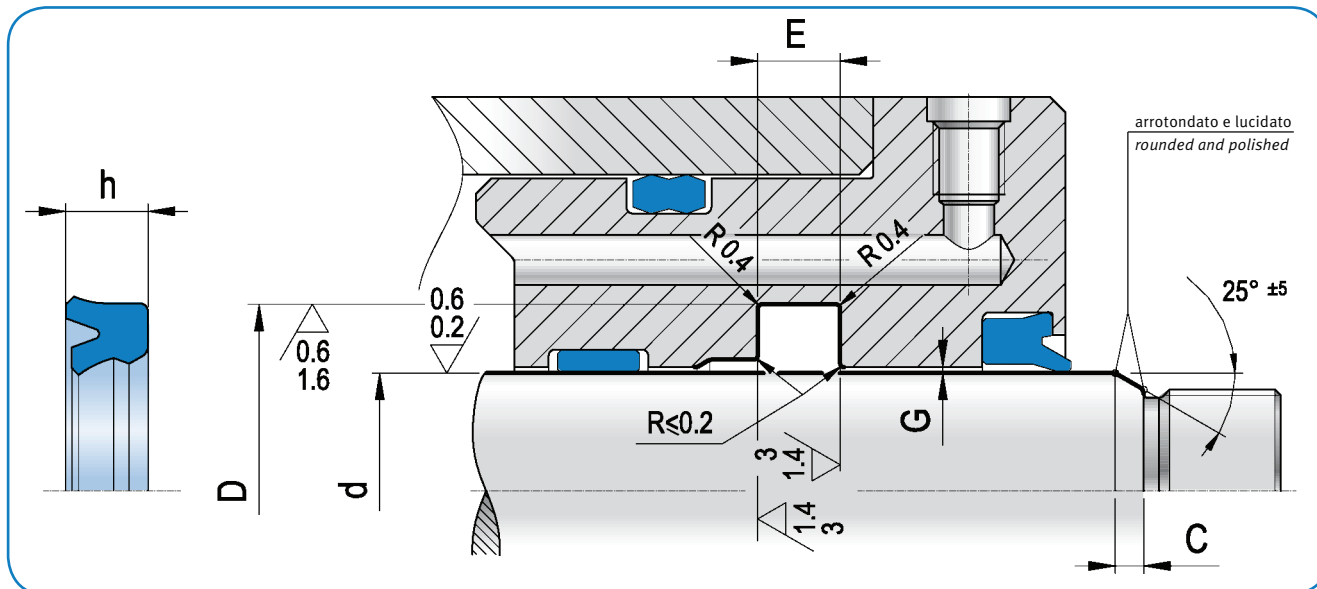
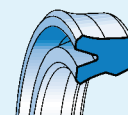
* in conformità alle norme ISO/DIN 5597 e ISO 5597/1 - in accordance with ISO/DIN 5597 and ISO 5597/1 norms

Nota: altre dimensioni non a catalogo a richiesta. Consultare il nostro ufficio tecnico.

Remark: please contact our technical dept. for further dimensions not included in the catalogue.

RSB

TENUTA STELO - ROD SEAL

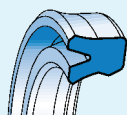


- RSA
- RSB**
- RSB2
- RSC
- RSD
- TSS
- RSO
- RBR
- RPS

d _{H9}	D _{H10}	h	ART / ITEM	€ cad/each
6,0	14,0	5,7	RSB 0060 0140 057 CO	0,987
8,0	16,0	5,7	RSB 0080 0160 057 CO	0,987
10,0	18,0	5,7	RSB 0100 0180 057 CO	1,026
10,0	20,0	7,0	RSB 0100 0200 070 CO	1,047
12,0	19,0	5,0	RSB 0120 0190 050 CO	1,026
12,0	20,0	5,7	RSB 0120 0200 057 CO	1,026
12,0	22,0	7,0	RSB 0120 0220 070 CO	1,047
12,0	22,0	8,0	RSB 0120 0220 080 CO	1,047
14,0	20,0	5,8	RSB 0140 0200 058 CO	1,047
14,0	21,0	5,0	RSB 0140 0210 050 CO	1,047
14,0	22,0	5,7	RSB 0140 0220 057 CO	1,047
14,0	24,0	7,3	RSB 0140 0240 073 CO	1,118
15,0	23,0	5,7	RSB 0150 0230 057 CO	1,118
16,0	24,0	5,7	RSB 0160 0240 057 CO	1,118
16,0	26,0	7,3	RSB 0160 0260 073 CO	1,140
18,0	25,0	5,0	RSB 0180 0250 050 CO	1,218
18,0	26,0	5,7	RSB 0180 0260 057 CO	1,218
18,0	28,0	7,3	RSB 0180 0280 073 CO	1,311
20,0	28,0	4,3	RSB 0200 0280 043 CO	1,218
20,0	28,0	5,7	RSB 0200 0280 057 CO	1,218
20,0	30,0	7,3	RSB 0200 0300 073 CO	1,470
22,0	29,0	5,0	RSB 0220 0290 050 CO	1,311
22,0	30,0	5,5	RSB 0220 0300 055 CO	1,442
22,0	32,0	7,3	RSB 0220 0320 073 CO	1,470
25,0	33,0	5,7	RSB 0250 0330 057 CO	1,380
25,0	33,0	7,3	RSB 0250 0330 073 CO	1,470
25,0	35,0	7,3	RSB 0250 0350 073 CO	1,470
28,0	36,0	5,7	RSB 0280 0360 057 CO	1,442
28,0	36,0	7,3	RSB 0280 0360 073 CO	1,470
28,0	38,0	5,7	RSB 0280 0380 057 CO	1,442

d _{H9}	D _{H10}	h	ART / ITEM	€ cad/each
28,0	38,0	7,3	RSB 0280 0380 073 CO	1,470
28,0	38,0	8,0	RSB 0280 0380 080 CO	1,470
28,0	43,0	11,5	RSB 0280 0430 115 CO	1,628
30,0	38,0	5,7	RSB 0300 0380 057 CO	1,470
30,0	40,0	6,0	RSB 0300 0400 060 CO	1,539
30,0	40,0	7,3	RSB 0300 0400 073 CO	1,539
30,0	40,0	8,0	RSB 0300 0400 080 CO	1,539
32,0	40,0	5,7	RSB 0320 0400 057 CO	1,539
32,0	40,0	6,0	RSB 0320 0400 060 CO	1,539
32,0	40,0	6,7	RSB 0320 0400 067 CO	1,572
32,0	42,0	5,7	RSB 0320 0420 057 CO	1,572
32,0	42,0	7,3	RSB 0320 0420 073 CO	1,572
35,0	42,0	7,0	RSB 0350 0420 070 CO	1,796
35,0	43,0	5,7	RSB 0350 0430 057 CO	1,734
35,0	43,0	6,0	RSB 0350 0430 060 CO	1,734
35,0	45,0	6,0	RSB 0350 0450 060 CO	1,796
35,0	45,0	6,7	RSB 0350 0450 067 CO	1,796
35,0	45,0	7,0	RSB 0350 0450 070 CO	1,796
35,0	45,0	7,3	RSB 0350 0450 073 CO	1,796
35,0	45,0	12,0	RSB 0350 0450 120 CO	1,796
35,0	50,0	9,0	RSB 0350 0500 090 CO	1,869
36,0	44,0	5,7	RSB 0360 0440 057 CO	1,734
36,0	44,0	6,3	RSB 0360 0440 063 CO	1,734
36,0	46,0	7,0	RSB 0360 0460 070 CO	1,796
36,0	46,0	7,3	RSB 0360 0460 073 CO	1,796
36,0	46,0	8,0	RSB 0360 0460 080 CO	1,796
38,0	48,0	8,0	RSB 0380 0480 080 CO	1,832
40,0	48,0	5,7	RSB 0400 0480 057 CO	1,993
40,0	50,0	6,0	RSB 0400 0500 060 CO	2,006
40,0	50,0	7,0	RSB 0400 0500 070 CO	2,006

OLEODINAMICA
HYDRAULIC



RSB

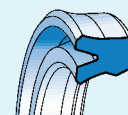
TENUTA STELO - ROD SEAL

d _{hg}	D _{H10}	h	ART / ITEM	€ cad/each
40,0	50,0	7,3	RSB 0400 0500 073 C0	2,006
40,0	50,0	10,0	RSB 0400 0500 100 C0	2,056
40,0	55,0	10,0	RSB 0400 0550 100 C0	2,100
40,0	55,0	11,5	RSB 0400 0550 115 C0	2,100
40,0	55,0	9,0	RSB 0400 0550 090 C0	2,105
42,0	50,0	8,0	RSB 0420 0500 080 C0	2,056
42,0	50,0	11,5	RSB 0420 0500 115 C0	2,132
42,0	53,0	9,0	RSB 0420 0530 090 C0	2,105
45,0	53,0	5,7	RSB 0450 0530 057 C0	2,056
45,0	53,0	10,0	RSB 0450 0530 100 C0	2,132
45,0	53,0	11,5	RSB 0450 0530 115 C0	2,132
45,0	55,0	5,7	RSB 0450 0550 057 C0	2,155
45,0	55,0	6,0	RSB 0450 0550 060 C0	2,155
45,0	55,0	7,3	RSB 0450 0550 073 C0	2,155
45,0	55,0	11,5	RSB 0450 0550 115 C0	2,155
45,0	60,0	11,5	RSB 0450 0600 115 C0	2,155
46,0	56,0	10,0	RSB 0460 0560 100 C0	2,147
48,0	56,0	11,5	RSB 0480 0560 115 C0	2,155
48,0	56,0	12,0	RSB 0480 0560 120 C0	2,187
50,0	57,0	7,3	RSB 0500 0570 073 C0	2,155
50,0	57,0	10,0	RSB 0500 0570 100 C0	2,155
50,0	58,0	11,5	RSB 0500 0580 115 C0	2,155
50,0	59,0	10,0	RSB 0500 0590 100 C0	2,155
50,0	60,0	6,0	RSB 0500 0600 060 C0	2,155
50,0	60,0	7,3	RSB 0500 0600 073 C0	2,147
50,0	60,0	10,0	RSB 0500 0600 100 C0	2,187
50,0	65,0	9,0	RSB 0500 0650 090 C0	2,218
50,0	65,0	10,0	RSB 0500 0650 100 C0	2,218
50,0	65,0	11,5	RSB 0500 0650 115 C0	2,218
50,0	70,0	10,0	RSB 0500 0700 100 C0	2,187
50,0	70,0	12,0	RSB 0500 0700 120 C0	2,316
55,0	63,0	11,5	RSB 0550 0630 115 C0	2,218
55,0	65,0	6,0	RSB 0550 0650 060 C0	2,187
55,0	65,0	7,3	RSB 0550 0650 073 C0	2,187
55,0	65,0	8,5	RSB 0550 0650 085 C0	2,218
55,0	65,0	10,0	RSB 0550 0650 100 C0	2,218
55,0	68,0	10,0	RSB 0550 0680 100 C0	2,237
55,0	70,0	9,0	RSB 0550 0700 090 C0	2,289
55,0	75,0	12,0	RSB 0550 0750 120 C0	2,394
56,0	66,0	6,0	RSB 0560 0660 060 C0	2,237
56,0	71,0	9,0	RSB 0560 0710 090 C0	2,279
56,0	71,0	10,0	RSB 0560 0710 100 C0	2,279
56,0	71,0	11,5	RSB 0560 0710 115 C0	2,280
56,0	76,0	15,0	RSB 0560 0760 150 C0	2,410
60,0	68,0	11,5	RSB 0600 0680 115 C0	2,316
60,0	70,0	6,0	RSB 0600 0700 060 C0	2,316
60,0	70,0	7,3	RSB 0600 0700 073 C0	2,280
60,0	70,0	10,0	RSB 0600 0700 100 C0	2,316

d _{hg}	D _{H10}	h	ART / ITEM	€ cad/each
60,0	70,0	11,5	RSB 0600 0700 115 C0	2,410
60,0	73,0	10,0	RSB 0600 0730 100 C0	2,410
60,0	75,0	9,0	RSB 0600 0750 090 C0	2,410
60,0	75,0	10,0	RSB 0600 0750 100 C0	2,410
60,0	75,0	11,5	RSB 0600 0750 115 C0	2,410
60,0	80,0	12,0	RSB 0600 0800 120 C0	2,687
63,0	73,0	6,0	RSB 0630 0730 060 C0	2,410
63,0	78,0	10,0	RSB 0630 0780 100 C0	2,510
63,0	78,0	11,5	RSB 0630 0780 115 C0	2,510
63,0	83,0	12,0	RSB 0630 0830 120 C0	2,568
63,0	83,0	15,0	RSB 0630 0830 150 C0	2,646
65,0	73,0	11,5	RSB 0650 0730 115 C0	2,510
65,0	75,0	6,0	RSB 0650 0750 060 C0	2,531
65,0	75,0	7,0	RSB 0650 0750 070 C0	2,531
65,0	75,0	7,3	RSB 0650 0750 073 C0	2,531
65,0	75,0	10,0	RSB 0650 0750 100 C0	2,531
65,0	75,0	12,0	RSB 0650 0750 120 C0	2,531
65,0	78,0	10,0	RSB 0650 0780 100 C0	2,604
65,0	80,0	9,0	RSB 0650 0800 090 C0	2,646
65,0	80,0	11,5	RSB 0650 0800 115 C0	2,667
65,0	85,0	12,0	RSB 0650 0850 120 C0	2,783
67,0	75,0	11,5	RSB 0670 0750 115 C0	2,599
67,0	77,0	6,0	RSB 0670 0770 060 C0	2,599
70,0	78,0	11,5	RSB 0700 0780 115 C0	2,599
70,0	80,0	6,0	RSB 0700 0800 060 C0	2,599
70,0	80,0	7,3	RSB 0700 0800 073 C0	2,599
70,0	80,0	11,5	RSB 0700 0800 115 C0	2,599
70,0	83,0	10,0	RSB 0700 0830 100 C0	2,639
70,0	85,0	9,0	RSB 0700 0850 090 C0	2,667
70,0	85,0	10,0	RSB 0700 0850 100 C0	2,667
70,0	85,0	11,5	RSB 0700 0850 115 C0	2,667
70,0	90,0	12,0	RSB 0700 0900 120 C0	2,667
70,0	90,0	15,0	RSB 0700 0900 150 C0	2,687
71,0	81,0	6,0	RSB 0710 0810 060 C0	2,615
71,0	81,0	8,0	RSB 0710 0810 080 C0	2,615
75,0	83,0	7,0	RSB 0750 0830 070 C0	2,623
75,0	83,0	11,5	RSB 0750 0830 115 C0	2,639
75,0	85,0	6,0	RSB 0750 0850 060 C0	2,639
75,0	85,0	10,0	RSB 0750 0850 100 C0	2,639
75,0	85,0	11,5	RSB 0750 0850 115 C0	2,639
75,0	88,0	10,0	RSB 0750 0880 100 C0	2,678
75,0	90,0	9,0	RSB 0750 0900 090 C0	2,687
75,0	90,0	11,5	RSB 0750 0900 115 C0	2,687
75,0	95,0	12,0	RSB 0750 0950 120 C0	2,702
78,0	86,0	11,5	RSB 0780 0860 115 C0	2,667
80,0	88,0	11,5	RSB 0800 0880 115 C0	2,667
80,0	90,0	6,0	RSB 0800 0900 060 C0	2,688
80,0	90,0	7,3	RSB 0800 0900 073 C0	2,688

RSB

TENUTA STELO - ROD SEAL



d _{H9}	D _{H10}	h	ART / ITEM	€ cad/each
80,0	90,0	10,0	RSB 0800 0900 100 CO	2,688
80,0	93,0	10,0	RSB 0800 0930 100 CO	2,730
80,0	95,0	9,0	RSB 0800 0950 090 CO	2,751
80,0	95,0	10,0	RSB 0800 0950 100 CO	2,751
80,0	95,0	11,5	RSB 0800 0950 115 CO	2,751
80,0	100,0	12,0	RSB 0800 1000 120 CO	2,961
80,0	100,0	15,0	RSB 0800 1000 150 CO	2,961
85,0	93,0	11,5	RSB 0850 0930 115 CO	2,702
85,0	100,0	9,0	RSB 0850 1000 090 CO	2,751
85,0	100,0	10,0	RSB 0850 1000 100 CO	2,751
85,0	100,0	11,5	RSB 0850 1000 115 CO	2,751
85,0	105,0	12,0	RSB 0850 1050 120 CO	2,764
90,0	98,0	11,5	RSB 0900 0980 115 CO	2,764
90,0	100,0	7,3	RSB 0900 1000 073 CO	2,702
90,0	100,0	11,5	RSB 0900 1000 115 CO	2,894
90,0	105,0	9,0	RSB 0900 1050 090 CO	2,894
90,0	105,0	10,0	RSB 0900 1050 100 CO	2,894
90,0	105,0	11,5	RSB 0900 1050 115 CO	2,894
90,0	110,0	12,0	RSB 0900 1100 120 CO	3,024
90,0	110,0	15,0	RSB 0900 1100 150 CO	3,123
93,0	101,0	11,5	RSB 0930 1010 115 CO	2,874
95,0	103,0	11,5	RSB 0950 1030 115 CO	2,874
95,0	105,0	12,0	RSB 0950 1050 120 CO	3,123
95,0	110,0	9,0	RSB 0950 1100 090 CO	2,993
95,0	110,0	10,0	RSB 0950 1100 100 CO	2,993
95,0	115,0	12,0	RSB 0950 1150 120 CO	3,255
95,0	115,0	13,5	RSB 0950 1150 135 CO	3,255
97,0	105,0	11,5	RSB 0970 1050 115 CO	2,874
100,0	108,0	11,5	RSB 1000 1080 115 CO	3,123
100,0	115,0	9,0	RSB 1000 1150 090 CO	3,749
100,0	115,0	10,0	RSB 1000 1150 100 CO	3,123
100,0	120,0	11,8	RSB 1000 1200 118 CO	3,862
100,0	120,0	12,0	RSB 1000 1200 120 CO	3,862
100,0	120,0	15,0	RSB 1000 1200 150 CO	3,883
105,0	113,0	11,5	RSB 1050 1130 115 CO	3,749
105,0	115,0	11,5	RSB 1050 1150 115 CO	3,749
105,0	120,0	9,0	RSB 1050 1200 090 CO	3,896
105,0	120,0	10,0	RSB 1050 1200 100 CO	3,896
105,0	125,0	12,0	RSB 1050 1250 120 CO	4,043
106,0	121,0	9,0	RSB 1060 1210 090 CO	3,948
106,0	121,0	10,0	RSB 1060 1210 100 CO	3,948
110,0	118,0	11,5	RSB 1100 1180 115 CO	3,749
110,0	125,0	9,0	RSB 1100 1250 090 CO	3,990
110,0	125,0	9,6	RSB 1100 1250 096 CO	3,990
110,0	125,0	10,0	RSB 1100 1250 100 CO	3,990
110,0	130,0	10,0	RSB 1100 1300 100 CO	4,268
110,0	130,0	12,0	RSB 1100 1300 120 CO	4,268
110,0	130,0	15,0	RSB 1100 1300 150 CO	4,326

d _{H9}	D _{H10}	h	ART / ITEM	€ cad/each
110,0	135,0	19,0	RSB 1100 1350 190 CO	5,425
112,0	127,0	9,0	RSB 1120 1270 090 CO	4,148
112,0	127,0	10,0	RSB 1120 1270 100 CO	4,148
112,0	125,0	9,0	RSB 1120 1250 090 CO	4,148
115,0	123,0	11,5	RSB 1150 1230 115 CO	3,862
115,0	125,0	12,0	RSB 1150 1250 120 CO	3,883
115,0	130,0	9,0	RSB 1150 1300 090 CO	4,410
115,0	135,0	12,0	RSB 1150 1350 120 CO	4,830
118,0	126,0	11,5	RSB 1180 1260 115 CO	4,100
118,0	133,0	9,0	RSB 1180 1330 090 CO	4,200
118,0	133,0	10,0	RSB 1180 1330 100 CO	4,200
120,0	128,0	11,5	RSB 1200 1280 115 CO	4,313
120,0	135,0	9,0	RSB 1200 1350 090 CO	4,568
120,0	140,0	10,0	RSB 1200 1400 100 CO	4,763
120,0	140,0	12,0	RSB 1200 1400 120 CO	4,763
120,0	140,0	15,0	RSB 1200 1400 150 CO	4,763
125,0	133,0	11,5	RSB 1250 1330 115 CO	4,601
125,0	140,0	9,0	RSB 1250 1400 090 CO	4,673
125,0	145,0	12,0	RSB 1250 1450 120 CO	4,757
125,0	145,0	15,0	RSB 1250 1450 150 CO	4,912
125,0	150,0	19,0	RSB 1250 1500 190 CO	5,422
128,0	136,0	11,5	RSB 1280 1360 115 CO	4,613
130,0	145,0	9,0	RSB 1300 1450 090 CO	4,830
130,0	150,0	12,0	RSB 1300 1500 120 CO	5,261
130,0	150,0	15,0	RSB 1300 1500 150 CO	5,261
135,0	143,0	11,5	RSB 1350 1430 115 CO	5,267
140,0	148,0	11,5	RSB 1400 1480 115 CO	5,443
140,0	155,0	9,0	RSB 1400 1550 090 CO	4,914
140,0	155,0	9,6	RSB 1400 1550 096 CO	4,914
140,0	155,0	10,0	RSB 1400 1550 100 CO	4,914
140,0	160,0	15,0	RSB 1400 1600 150 CO	5,792
140,0	165,0	19,0	RSB 1400 1650 190 CO	6,363
143,0	151,0	11,5	RSB 1430 1510 115 CO	5,282
150,0	170,0	12,0	RSB 1500 1700 120 CO	8,274
150,0	170,0	15,0	RSB 1500 1700 150 CO	8,274
152,0	160,0	11,5	RSB 1520 1600 115 CO	5,670
155,0	163,0	11,5	RSB 1550 1630 115 CO	6,201
160,0	168,0	11,5	RSB 1600 1680 115 CO	6,613
170,0	180,0	12,0	RSB 1700 1800 120 CO	8,650
170,0	190,0	15,0	RSB 1700 1900 150 CO	9,106
180,0	200,0	15,0	RSB 1800 2000 150 CO	10,274
180,0	205,0	15,0	RSB 1800 2050 150 CO	10,495
200,0	225,0	15,0	RSB 2000 2250 150 CO	14,089

RSA
RSB
 RSB2
 RSC
 RSD
 TSS
 RSO
 RBR
 RPS

OLEODINAMICA
 HYDRAULIC

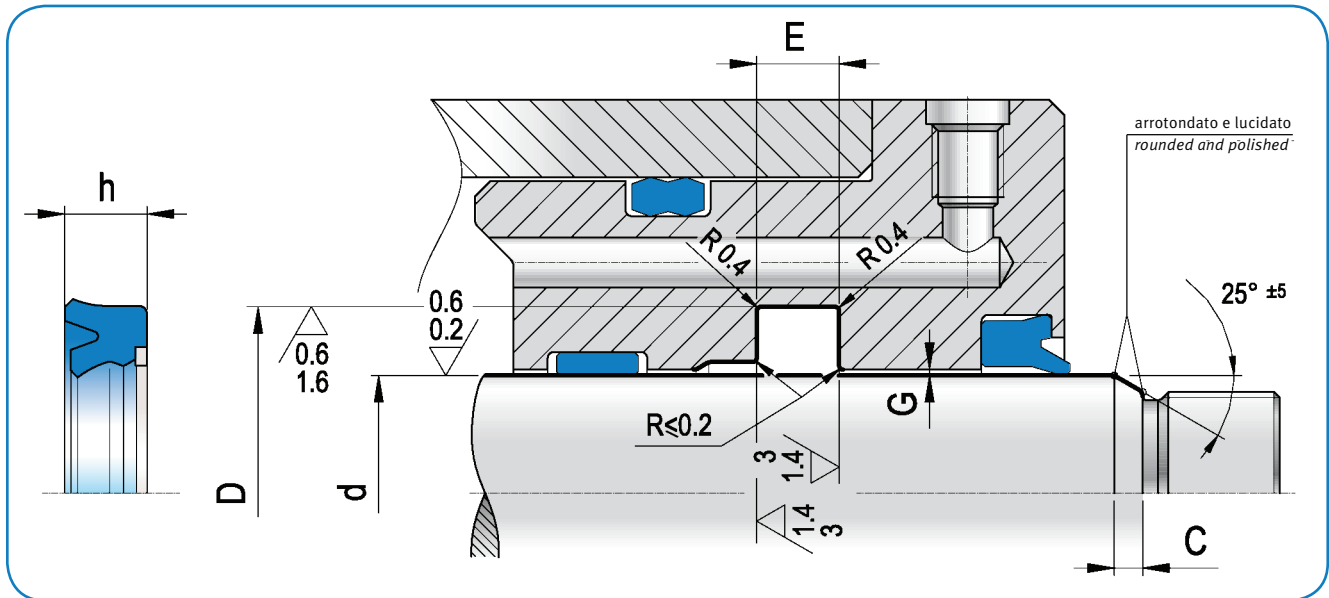
Nota: altre dimensioni non a catalogo a richiesta. Consultare il nostro ufficio tecnico.

Remark: please contact our technical dept. for further dimensions not included in the catalogue.



RSB2

TENUTA STELO - ROD SEAL



dhg	DH10	h	ART / ITEM	€ cad/each
40,0	55,0	10,0	RSB2 0400 0550 100 CR	2,580
42,0	51,0	10,0	RSB2 0420 0510 100 CR	2,630
45,0	60,0	10,0	RSB2 0450 0600 100 CR	2,704
50,0	59,0	10,0	RSB2 0500 0590 100 CR	2,727
50,0	60,0	7,3	RSB2 0500 0600 073 CR	2,727
50,0	65,0	10,0	RSB2 0500 0650 100 CR	2,744
50,0	70,0	12,0	RSB2 0500 0700 120 CR	2,783
56,0	71,0	11,5	RSB2 0560 0710 115 CR	2,860
60,0	69,0	10,0	RSB2 0600 0690 100 CR	2,919
60,0	75,0	11,5	RSB2 0600 0750 115 CR	3,023
60,0	80,0	12,0	RSB2 0600 0800 120 CR	3,147
63,0	78,0	11,5	RSB2 0630 0780 115 CR	3,147
63,0	83,0	12,0	RSB2 0630 0830 120 CR	3,147
65,0	80,0	11,5	RSB2 0650 0800 115 CR	3,204
70,0	80,0	7,3	RSB2 0700 0800 073 CR	3,150
70,0	85,0	11,5	RSB2 0700 0850 115 CR	3,259
75,0	95,0	13,5	RSB2 0750 0950 135 CR	3,388
80,0	95,0	11,5	RSB2 0800 0950 115 CR	3,388

dhg	DH10	h	ART / ITEM	€ cad/each
80,0	100,0	13,5	RSB2 0800 1000 135 CR	3,489
85,0	105,0	12,0	RSB2 0850 1050 120 CR	3,465
85,0	105,0	13,5	RSB2 0850 1050 135 CR	3,791
90,0	105,0	11,5	RSB2 0900 1050 115 CR	3,628
95,0	115,0	13,5	RSB2 0950 1150 135 CR	4,696
100,0	120,0	12,0	RSB2 1000 1200 120 CR	4,838
100,0	120,0	13,5	RSB2 1000 1200 135 CR	4,864
105,0	125,0	12,0	RSB2 1050 1250 120 CR	4,838
110,0	130,0	12,0	RSB2 1100 1300 120 CR	4,932
120,0	140,0	12,0	RSB2 1200 1400 120 CR	5,106
125,0	145,0	12,0	RSB2 1250 1450 120 CR	5,447

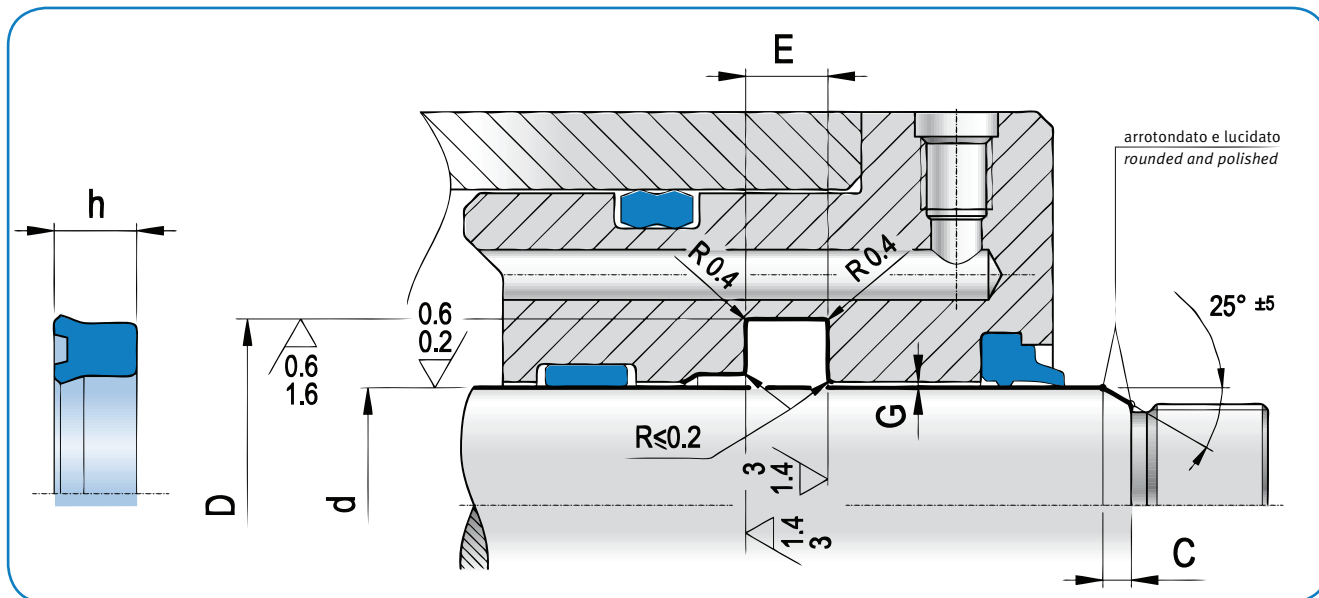
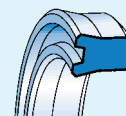
CR = CO (TPU 93 shore A) + RO (POM)

Nota: altre dimensioni non a catalogo a richiesta. Consultare il nostro ufficio tecnico.

Remark: please contact our technical dept. for further dimensions not included in the catalogue.

RSC

TENUTA STELO - ROD SEAL



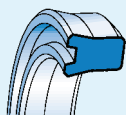
RSA
RSB
RSB2
RSC
RSD
TSS
RSO
RBR
RPS

d _{H9}	D _{H10}	h	ART / ITEM	€ cad/each
6,0	14,0	5,8	RSC 0060 0140 058 C0	1,008
8,0	14,0	5,8	RSC 0080 0140 058 C0	1,008
8,0	16,0	5,8	RSC 0080 0160 058 C0	1,008
10,0	18,0	5,8	RSC 0100 0180 058 C0	1,047
12,0	18,0	4,5	RSC 0120 0180 045 C0	1,047
12,0	20,0	5,8	RSC 0120 0200 058 C0	1,119
14,0	21,0	5,0	RSC 0140 0210 050 C0	1,134
14,0	22,0	5,8	RSC 0140 0220 058 C0	1,134
16,0	22,0	4,0	RSC 0160 0220 040 C0	1,139
16,0	24,0	5,8	RSC 0160 0240 058 C0	1,139
16,0	24,0	6,0	RSC 0160 0240 060 C0	1,139
18,0	22,0	4,0	RSC 0180 0220 040 C0	1,139
18,0	26,0	5,8	RSC 0180 0260 040 C0	1,218
20,0	25,0	4,0	RSC 0200 0250 040 C0	1,239
20,0	26,0	5,0	RSC 0200 0260 050 C0	1,239
* 20,0	28,0	5,8	RSC 0200 0280 058 C0	1,239
* 20,0	30,0	7,0	RSC 0200 0300 070 C0	1,491
22,0	28,0	4,5	RSC 0220 0280 045 C0	1,357
22,0	28,0	5,8	RSC 0220 0280 058 C0	1,401
22,0	29,0	5,0	RSC 0220 0290 050 C0	1,382
* 22,0	30,0	5,8	RSC 0220 0300 058 C0	1,401
22,0	30,0	7,0	RSC 0220 0300 070 C0	1,491
22,0	32,0	7,0	RSC 0220 0320 070 C0	1,491
24,0	32,0	5,7	RSC 0240 0320 057 C0	1,449
24,0	34,0	5,7	RSC 0240 0340 057 C0	1,401
25,0	31,0	5,0	RSC 0250 0310 050 C0	1,401
* 25,0	33,0	5,8	RSC 0250 0330 058 C0	1,401

d _{H9}	D _{H10}	h	ART / ITEM	€ cad/each
25,0	33,0	8,0	RSC 0250 0330 080 C0	1,512
25,0	35,0	5,0	RSC 0250 0350 050 C0	1,512
25,0	35,0	7,0	RSC 0250 0350 070 C0	1,512
* 28,0	36,0	5,8	RSC 0280 0360 058 C0	1,463
28,0	38,0	5,8	RSC 0280 0380 058 C0	1,463
28,0	38,0	7,0	RSC 0280 0380 070 C0	1,520
30,0	38,0	5,8	RSC 0300 0380 058 C0	1,463
30,0	38,0	6,0	RSC 0300 0380 060 C0	1,520
30,0	38,0	7,0	RSC 0300 0380 070 C0	1,520
30,0	38,0	8,0	RSC 0300 0380 080 C0	1,560
30,0	40,0	7,0	RSC 0300 0400 070 C0	1,560
30,0	40,0	10,0	RSC 0300 0400 100 C0	1,593
32,0	40,0	6,0	RSC 0320 0400 060 C0	1,593
32,0	40,0	8,0	RSC 0320 0400 080 C0	1,649
* 32,0	42,0	7,0	RSC 0320 0420 070 C0	1,649
32,0	42,0	8,0	RSC 0320 0420 080 C0	1,649
32,0	42,0	9,0	RSC 0320 0420 090 C0	1,670
35,0	43,0	5,8	RSC 0350 0430 058 C0	1,755
35,0	43,0	6,0	RSC 0350 0430 060 C0	1,755
35,0	43,0	6,3	RSC 0350 0430 063 C0	1,755
35,0	43,0	7,0	RSC 0350 0430 070 C0	1,755
35,0	43,0	8,0	RSC 0350 0430 080 C0	1,755
35,0	45,0	7,0	RSC 0350 0450 070 C0	1,817
35,0	45,0	10,0	RSC 0350 0450 100 C0	1,817
35,0	45,0	11,0	RSC 0350 0450 110 C0	1,817
* 36,0	44,0	5,8	RSC 0360 0440 058 C0	1,755
36,0	44,0	6,0	RSC 0360 0440 060 C0	1,755

* in conformità alle norme ISO/DIN 5597 e ISO 5597/1 – in accordance with ISO/DIN 5597 and ISO 5597/1 norms

OLEODINAMICA
HYDRAULIC



RSC

TENUTA STELO - ROD SEAL

d _{h9}	D _{H10}	h	ART / ITEM	€ cad/each	
36,0	44,0	6,3	RSC 0360 0440 063 CO	1,755	
36,0	44,0	7,0	RSC 0360 0440 070 CO	1,785	
36,0	44,0	8,0	RSC 0360 0440 080 CO	1,817	
36,0	44,0	9,0	RSC 0360 0440 090 CO	1,817	
36,0	46,0	7,0	RSC 0360 0460 070 CO	1,817	
36,0	46,0	7,2	RSC 0360 0460 072 CO	1,853	
36,0	46,0	10,0	RSC 0360 0460 100 CO	1,853	
36,0	46,0	11,0	RSC 0360 0460 110 CO	1,853	
38,0	45,0	6,0	RSC 0380 0450 060 CO	1,853	
40,0	48,0	5,8	RSC 0400 0480 058 CO	2,014	
40,0	48,0	6,0	RSC 0400 0480 060 CO	2,014	
40,0	48,0	7,0	RSC 0400 0480 070 CO	2,027	
40,0	48,0	8,0	RSC 0400 0480 080 CO	2,027	
40,0	50,0	6,0	RSC 0400 0500 060 CO	2,027	
*	40,0	50,0	7,0	RSC 0400 0500 070 CO	2,027
40,0	50,0	10,0	RSC 0400 0500 100 CO	2,056	
42,0	50,0	6,0	RSC 0420 0500 060 CO	2,077	
42,0	50,0	7,0	RSC 0420 0500 070 CO	2,077	
45,0	53,0	6,0	RSC 0450 0530 060 CO	2,077	
45,0	53,0	6,3	RSC 0450 0530 063 CO	2,077	
45,0	53,0	7,0	RSC 0450 0530 070 CO	2,077	
*	45,0	55,0	5,8	RSC 0450 0550 058 CO	2,077
45,0	55,0	6,3	RSC 0450 0550 063 CO	2,077	
*	45,0	55,0	7,0	RSC 0450 0550 070 CO	2,077
46,0	54,0	7,0	RSC 0460 0540 070 CO	2,100	
46,0	54,0	7,5	RSC 0460 0540 075 CO	2,153	
46,0	54,0	8,0	RSC 0460 0540 080 CO	2,168	
50,0	58,0	8,0	RSC 0500 0580 080 CO	2,168	
50,0	58,0	9,0	RSC 0500 0580 090 CO	2,168	
*	50,0	60,0	7,0	RSC 0500 0600 070 CO	2,168
50,0	60,0	8,0	RSC 0500 0600 080 CO	2,184	
50,0	60,0	10,0	RSC 0500 0600 100 CO	2,208	
50,0	60,0	11,0	RSC 0500 0600 110 CO	2,208	
50,0	62,0	8,0	RSC 0500 0620 080 CO	2,231	
55,0	63,0	8,0	RSC 0550 0630 080 CO	2,231	
55,0	65,0	7,0	RSC 0550 0650 070 CO	2,208	
55,0	65,0	11,0	RSC 0550 0650 110 CO	2,226	
56,0	66,0	10,0	RSC 0560 0660 100 CO	2,239	
56,0	66,0	11,0	RSC 0560 0660 110 CO	2,247	
*	56,0	71,0	11,5	RSC 0560 0710 115 CO	2,301
56,0	71,0	12,5	RSC 0560 0710 125 CO	2,310	
60,0	68,0	8,0	RSC 0600 0680 080 CO	2,337	
60,0	68,0	9,0	RSC 0600 0680 090 CO	2,337	
60,0	70,0	7,0	RSC 0600 0700 070 CO	2,384	
60,0	70,0	7,5	RSC 0600 0700 075 CO	2,384	

* in conformità alle norme ISO/DIN 5597 e ISO 5597/1 – in accordance with ISO/DIN 5597 and ISO 5597/1 norms

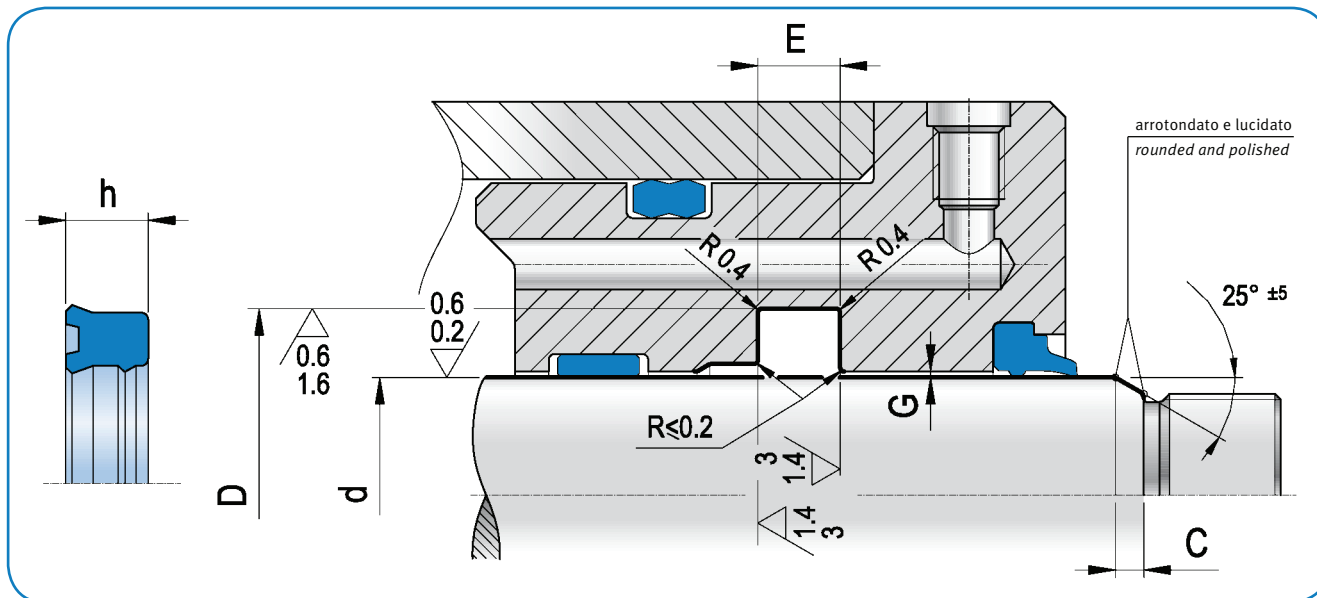
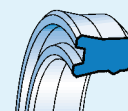
d _{h9}	D _{H10}	h	ART / ITEM	€ cad/each	
60,0	70,0	8,0	RSC 0600 0700 080 CO	2,394	
60,0	70,0	8,5	RSC 0600 0700 085 CO	2,405	
60,0	70,0	11,0	RSC 0600 0700 110 CO	2,415	
60,0	70,0	12,0	RSC 0600 0700 120 CO	2,431	
60,0	70,0	13,0	RSC 0600 0700 130 CO	2,431	
60,0	72,0	8,0	RSC 0600 0720 080 CO	2,431	
60,0	72,0	9,0	RSC 0600 0720 090 CO	2,431	
63,0	71,0	8,0	RSC 0630 0710 080 CO	2,552	
65,0	73,0	8,0	RSC 0650 0730 080 CO	2,552	
65,0	73,0	9,0	RSC 0650 0730 090 CO	2,552	
65,0	75,0	12,0	RSC 0650 0750 120 CO	2,594	
70,0	78,0	8,0	RSC 0700 0780 080 CO	2,620	
70,0	78,0	9,0	RSC 0700 0780 090 CO	2,620	
*	70,0	80,0	6,5	RSC 0700 0800 065 CO	2,625
70,0	80,0	7,0	RSC 0700 0800 070 CO	2,625	
70,0	80,0	7,5	RSC 0700 0800 075 CO	2,625	
70,0	80,0	8,0	RSC 0700 0800 080 CO	2,625	
70,0	80,0	12,0	RSC 0700 0800 120 CO	2,636	
70,0	80,0	13,0	RSC 0700 0800 130 CO	2,678	
70,0	82,0	9,5	RSC 0700 0820 095 CO	2,709	
70,0	82,0	10,5	RSC 0700 0820 105 CO	2,709	
70,0	85,0	11,5	RSC 0700 0850 115 CO	2,720	
70,0	85,0	12,5	RSC 0700 0850 125 CO	2,720	
75,0	83,0	8,0	RSC 0750 0830 080 CO	2,620	
75,0	83,0	9,0	RSC 0750 0830 090 CO	2,625	
75,0	85,0	7,0	RSC 0750 0850 070 CO	2,660	
75,0	85,0	8,0	RSC 0750 0850 080 CO	2,660	
76,0	84,0	8,0	RSC 0760 0840 080 CO	2,660	
76,0	84,0	9,0	RSC 0760 0840 090 CO	2,660	
80,0	88,0	8,0	RSC 0800 0880 080 CO	2,660	
80,0	88,0	9,0	RSC 0800 0880 090 CO	2,660	
80,0	90,0	7,0	RSC 0800 0900 070 CO	2,660	
80,0	90,0	8,0	RSC 0800 0900 080 CO	2,660	
80,0	90,0	12,0	RSC 0800 0900 120 CO	2,723	
*	80,0	95,0	11,5	RSC 0800 0950 115 CO	2,835
80,0	95,0	12,5	RSC 0800 0950 125 CO	2,835	
85,0	93,0	8,0	RSC 0850 0930 080 CO	2,723	
85,0	93,0	9,0	RSC 0850 0930 090 CO	2,730	
90,0	98,0	8,0	RSC 0900 0980 080 CO	2,772	
90,0	98,0	9,0	RSC 0900 0980 090 CO	2,772	

Nota: altre dimensioni non a catalogo a richiesta. Consultare il nostro ufficio tecnico.

Remark: please contact our technical dept. for further dimensions not included in the catalogue.

RSD

TENUTA STELO - ROD SEAL



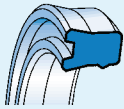
- RSA
- RSB
- RSB2
- RSC
- RSD**
- TSS
- RSO
- RBR
- RPS

d _{h9}	D _{H10}	h	ART / ITEM	€ cad/each	
* 6,0	14,0	5,8	RSD 0060 0140 058 C0	1,008	
* 8,0	14,0	5,7	RSD 0080 0140 057 C0	1,008	
* 8,0	16,0	5,8	RSD 0080 0160 058 C0	1,008	
* 10,0	18,0	5,8	RSD 0100 0180 058 C0	1,047	
	12,0	19,0	5,0	RSD 0120 0190 050 C0	1,047
* 12,0	20,0	5,8	RSD 0120 0200 058 C0	1,047	
	14,0	21,0	5,0	RSD 0140 0210 050 C0	1,068
	14,0	22,0	5,8	RSD 0140 0220 058 C0	1,068
	15,0	23,0	6,0	RSD 0150 0230 060 C0	1,068
	16,0	22,0	5,0	RSD 0160 0220 050 C0	1,139
* 16,0	24,0	5,8	RSD 0160 0240 058 C0	1,139	
	18,0	22,0	4,0	RSD 0180 0220 040 C0	1,139
	18,0	25,0	5,0	RSD 0180 0250 050 C0	1,239
* 18,0	26,0	5,8	RSD 0180 0260 058 C0	1,239	
	18,0	26,0	8,0	RSD 0180 0260 080 C0	1,332
	20,0	26,0	5,2	RSD 0200 0260 052 C0	1,239
* 20,0	28,0	5,8	RSD 0200 0280 058 C0	1,239	
* 20,0	30,0	7,0	RSD 0200 0300 070 C0	1,491	
	22,0	28,0	4,5	RSD 0220 0280 045 C0	1,332
	22,0	28,0	5,8	RSD 0220 0280 058 C0	1,332
	22,0	29,0	5,0	RSD 0220 0290 050 C0	1,332
* 22,0	30,0	5,8	RSD 0220 0300 058 C0	1,332	
	24,0	32,0	5,8	RSD 0240 0320 058 C0	1,401
	25,0	31,0	5,0	RSD 0250 0310 050 C0	1,401
* 25,0	33,0	5,8	RSD 0250 0330 058 C0	1,401	
	25,0	33,0	6,5	RSD 0250 0330 065 C0	1,401
	25,0	33,0	7,0	RSD 0250 0330 070 C0	1,491

d _{h9}	D _{H10}	h	ART / ITEM	€ cad/each	
* 25,0	35,0	7,0	RSD 0250 0350 070 C0	1,491	
	25,0	35,0	8,0	RSD 0250 0350 080 C0	1,491
* 28,0	36,0	5,8	RSD 0280 0360 058 C0	1,463	
* 28,0	38,0	5,8	RSD 0280 0380 058 C0	1,463	
* 28,0	38,0	7,0	RSD 0280 0380 070 C0	1,491	
	30,0	38,0	5,8	RSD 0300 0380 058 C0	1,463
	30,0	38,0	7,0	RSD 0300 0380 070 C0	1,491
	30,0	38,0	8,0	RSD 0300 0380 080 C0	1,491
	30,0	40,0	6,5	RSD 0300 0400 065 C0	1,560
	30,0	40,0	10,0	RSD 0300 0400 100 C0	1,560
	32,0	40,0	5,8	RSD 0320 0400 058 C0	1,560
	32,0	40,0	6,0	RSD 0320 0400 060 C0	1,560
	32,0	40,0	8,0	RSD 0320 0400 080 C0	1,593
* 32,0	42,0	7,0	RSD 0320 0420 070 C0	1,593	
	32,0	42,0	8,0	RSD 0320 0420 080 C0	1,593
	32,0	42,0	10,0	RSD 0320 0420 100 C0	1,649
	32,0	45,0	8,0	RSD 0320 0450 080 C0	1,701
	35,0	43,0	5,8	RSD 0350 0430 058 C0	1,675
	35,0	43,0	6,0	RSD 0350 0430 060 C0	1,675
	35,0	43,0	8,0	RSD 0350 0430 080 C0	1,701
	35,0	45,0	7,0	RSD 0350 0450 070 C0	1,817
	35,0	45,0	10,0	RSD 0350 0450 100 C0	1,853
* 36,0	44,0	5,8	RSD 0360 0440 058 C0	1,675	
	36,0	44,0	8,0	RSD 0360 0440 080 C0	1,701
	40,0	48,0	5,8	RSD 0400 0480 058 C0	2,014
	40,0	48,0	8,0	RSD 0400 0480 080 C0	2,027
* 40,0	50,0	7,0	RSD 0400 0500 070 C0	2,014	

* in conformità alle norme ISO/DIN 5597 e ISO 5597/1 – in accordance with ISO/DIN 5597 and ISO 5597/1 norms

OLEODINAMICA
HYDRAULIC



RSD

TENUTA STELO - ROD SEAL

d _{h9}	D _{H10}	h	ART / ITEM	€ cad/each
40,0	50,0	10,0	RSD 0400 0500 100 C0	2,027
40,0	55,0	10,0	RSD 0400 0550 100 C0	2,077
42,0	50,0	6,0	RSD 0420 0500 060 C0	2,027
42,0	52,0	8,0	RSD 0420 0520 080 C0	2,027
* 45,0	53,0	5,8	RSD 0450 0530 058 C0	2,027
45,0	53,0	8,0	RSD 0450 0530 080 C0	2,058
45,0	53,0	10,0	RSD 0450 0530 100 C0	2,079
* 45,0	55,0	5,7	RSD 0450 0550 057 C0	2,126
* 45,0	55,0	7,0	RSD 0450 0550 070 C0	2,126
45,0	55,0	10,0	RSD 0450 0550 100 C0	2,153
46,0	54,0	8,0	RSD 0460 0540 080 C0	2,153
50,0	58,0	8,0	RSD 0500 0580 080 C0	2,168
* 50,0	60,0	7,0	RSD 0500 0600 070 C0	2,168
50,0	60,0	9,0	RSD 0500 0600 090 C0	2,176
50,0	60,0	10,0	RSD 0500 0600 100 C0	2,176
50,0	65,0	8,0	RSD 0500 0650 080 C0	2,176
50,0	65,0	10,0	RSD 0500 0650 100 C0	2,208
55,0	63,0	8,0	RSD 0550 0630 080 C0	2,208
55,0	65,0	7,0	RSD 0550 0650 070 C0	2,208
55,0	65,0	10,0	RSD 0550 0650 100 C0	2,208
56,0	64,0	8,0	RSD 0560 0640 080 C0	2,176
56,0	66,0	6,5	RSD 0560 0660 065 C0	2,176
* 56,0	71,0	11,5	RSD 0560 0710 115 C0	2,239
60,0	68,0	8,0	RSD 0600 0680 080 C0	2,301
60,0	70,0	7,0	RSD 0600 0700 070 C0	2,301
60,0	70,0	7,5	RSD 0600 0700 075 C0	2,301
60,0	70,0	10,0	RSD 0600 0700 100 C0	2,337
60,0	70,0	12,0	RSD 0600 0700 120 C0	2,431
60,0	72,0	9,0	RSD 0600 0720 090 C0	2,431
61,0	69,0	8,0	RSD 0610 0690 080 C0	2,301
63,0	71,0	8,0	RSD 0630 0710 080 C0	2,337
65,0	73,0	8,0	RSD 0650 0730 080 C0	2,431
65,0	75,0	12,0	RSD 0650 0750 120 C0	2,620
65,0	77,0	9,0	RSD 0650 0770 090 C0	2,531
68,0	76,0	8,0	RSD 0680 0760 080 C0	2,431
70,0	78,0	8,0	RSD 0700 0780 080 C0	2,431
* 70,0	80,0	6,5	RSD 0700 0800 065 C0	2,531
70,0	80,0	7,0	RSD 0700 0800 070 C0	2,531
70,0	80,0	12,0	RSD 0700 0800 120 C0	2,620
70,0	82,0	9,5	RSD 0700 0820 095 C0	2,620
* 70,0	85,0	11,5	RSD 0700 0850 115 C0	2,634
75,0	83,0	8,0	RSD 0750 0830 080 C0	2,620
75,0	85,0	7,0	RSD 0750 0850 070 C0	2,660
75,0	85,0	12,0	RSD 0750 0850 120 C0	2,660
76,0	84,0	8,0	RSD 0760 0840 080 C0	2,620

d _{h9}	D _{H10}	h	ART / ITEM	€ cad/each
76,0	86,0	8,0	RSD 0760 0860 080 C0	2,660
78,0	86,0	8,0	RSD 0780 0860 080 C0	2,660
80,0	88,0	8,0	RSD 0800 0880 080 C0	2,688
80,0	90,0	12,0	RSD 0800 0900 120 C0	2,723
80,0	92,0	9,0	RSD 0800 0920 090 C0	2,688
* 80,0	95,0	11,5	RSD 0800 0950 115 C0	2,723
85,0	93,0	8,0	RSD 0850 0930 080 C0	2,723
85,0	95,0	12,0	RSD 0850 0950 120 C0	2,772
90,0	98,0	8,0	RSD 0900 0980 080 C0	2,660
* 90,0	100,0	6,5	RSD 0900 1000 065 C0	2,723
* 90,0	105,0	11,5	RSD 0900 1050 115 C0	2,915
91,0	99,0	8,0	RSD 0910 0990 080 C0	2,785
95,0	103,0	8,0	RSD 0950 1030 080 C0	2,895
100,0	108,0	6,5	RSD 1000 1080 065 C0	3,045
100,0	108,0	8,0	RSD 1000 1080 080 C0	3,144
105,0	113,0	8,0	RSD 1050 1130 080 C0	3,144
107,0	115,0	8,0	RSD 1070 1150 080 C0	3,239
108,0	116,0	8,0	RSD 1080 1160 080 C0	3,239
* 110,0	125,0	9,5	RSD 1100 1250 095 C0	3,883
110,0	125,0	11,0	RSD 1100 1250 110 C0	3,969
115,0	123,0	8,0	RSD 1150 1230 080 C0	3,883
115,0	130,0	11,3	RSD 1150 1300 113 C0	4,347
120,0	128,0	11,5	RSD 1200 1280 115 C0	3,917
120,0	135,0	15,0	RSD 1200 1350 150 C0	5,282
125,0	133,0	8,0	RSD 1250 1330 080 C0	4,784
126,0	134,0	8,0	RSD 1260 1340 080 C0	4,784
130,0	145,0	15,0	RSD 1300 1450 150 C0	5,361
135,0	143,0	8,0	RSD 1350 1430 080 C0	5,114
135,0	150,0	11,5	RSD 1350 1500 115 C0	5,305
140,0	150,0	11,5	RSD 1400 1500 115 C0	5,290
145,0	153,0	8,0	RSD 1450 1530 080 C0	5,198

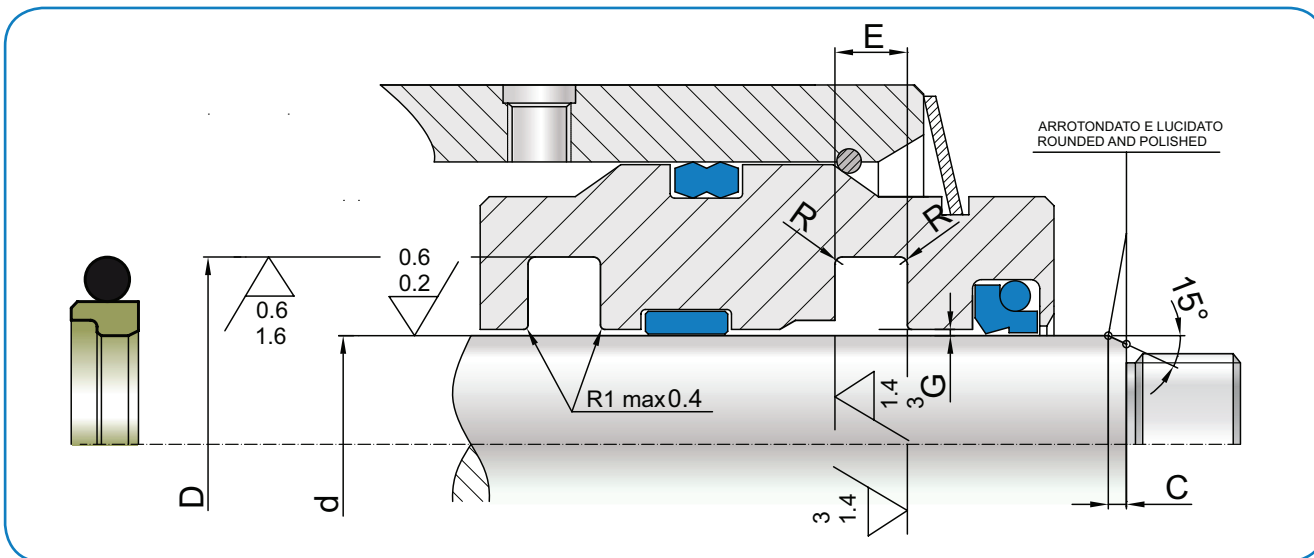
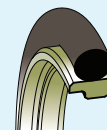
Nota: altre dimensioni non a catalogo a richiesta. Consultare il nostro ufficio tecnico.

Remark: please contact our technical dept. for further dimensions not included in the catalogue.

* in conformità alle norme ISO/DIN 5597 e ISO 5597/1 – in accordance with ISO/DIN 5597 and ISO 5597/1 norms

TSS

TENUTA STELO - ROD SEAL

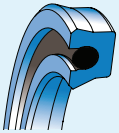


- RSA
- RSB
- RSB2
- RSC
- RSD
- TSS**
- RSO
- RBR
- RPS

d _{H9}	D _{H9}	E _{+0,2}	ART / ITEM	€ cad/each
4,0	8,9	2,20	TSS 0040 0089 022 TN	2,835
5,0	9,9	2,20	TSS 0050 099 022 TN	2,835
7,0	11,9	2,20	TSS 0070 0119 022 TN	2,835
8,0	15,3	3,20	TSS 0080 0153 032 TN	3,544
10,0	17,3	3,20	TSS 0100 0173 032 TN	3,675
12,0	19,3	3,20	TSS 0120 0193 032 TN	3,675
14,0	21,3	3,20	TSS 0140 0213 032 TN	3,827
15,0	22,3	3,20	TSS 0150 0223 032 TN	3,969
16,0	23,3	3,20	TSS 0160 0233 032 TN	3,969
18,0	25,3	3,20	TSS 0180 0253 032 TN	3,969
20,0	30,7	4,20	TSS 0200 0307 042 TN	4,536
22,0	32,7	4,20	TSS 0220 0327 042 TN	4,536
24,0	34,7	4,20	TSS 0240 0347 042 TN	4,673
25,0	35,7	4,20	TSS 0250 0357 042 TN	4,820
26,0	36,7	4,20	TSS 0260 0367 042 TN	4,820
28,0	38,7	4,20	TSS 0280 0387 042 TN	4,961
30,0	40,7	4,20	TSS 0300 0407 042 TN	5,245
32,0	42,7	4,20	TSS 0320 0427 042 TN	5,670
35,0	45,7	4,20	TSS 0350 0457 042 TN	5,954
37,0	47,7	4,20	TSS 0370 0477 042 TN	7,371
38,0	53,1	6,30	TSS 0380 0531 063 TN	9,923
40,0	55,1	6,30	TSS 0400 0551 063 TN	10,206
42,0	57,1	6,30	TSS 0420 0571 063 TN	11,057
45,0	60,1	6,30	TSS 0450 0601 063 TN	11,624
48,0	63,1	6,30	TSS 0480 0631 063 TN	11,907
50,0	65,1	6,30	TSS 0500 0651 063 TN	11,907
52,0	67,1	6,30	TSS 0520 0671 063 TN	12,474
55,0	70,1	6,30	TSS 0550 0701 063 TN	13,608
58,0	73,1	6,30	TSS 0580 0731 063 TN	13,892
60,0	75,1	6,30	TSS 0600 0751 063 TN	14,175

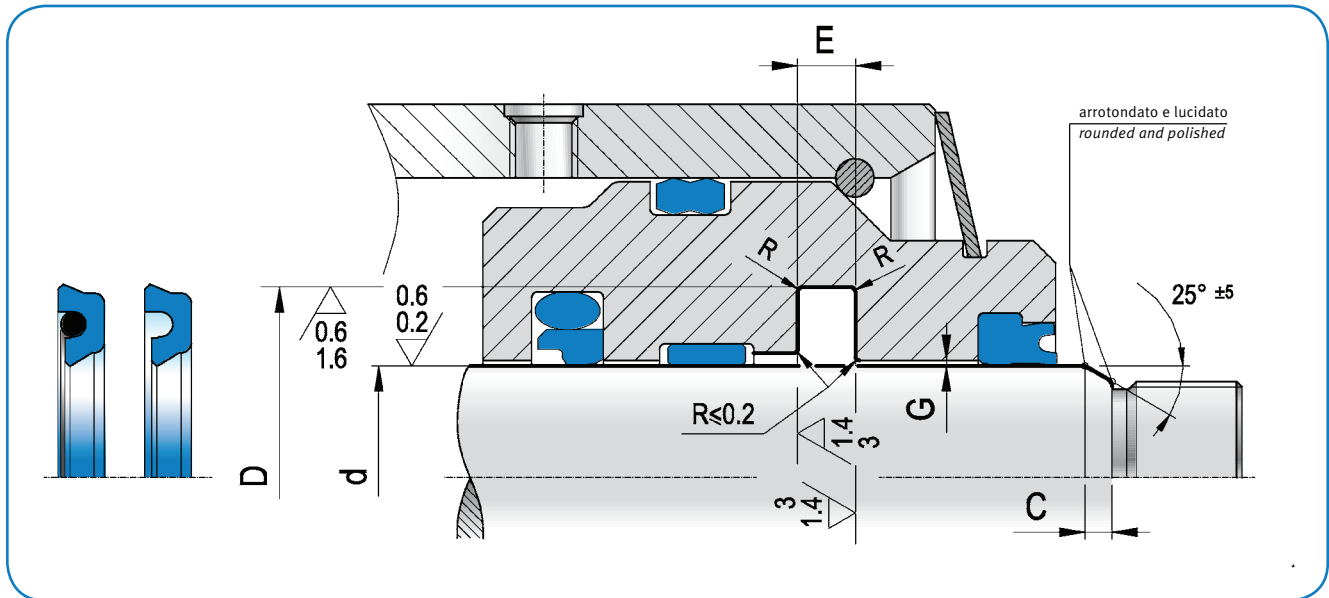
d _{H9}	D _{H9}	E _{+0,2}	ART / ITEM	€ cad/each
65,0	80,1	6,30	TSS 0650 0801 063 TN	15,876
70,0	85,1	6,30	TSS 0700 0851 063 TN	16,160
75,0	90,1	6,30	TSS 0750 0901 063 TN	17,010
80,0	95,1	6,30	TSS 0800 0951 063 TN	17,010
85,0	100,1	6,30	TSS 0850 1001 063 TN	18,428
90,0	105,1	6,30	TSS 0900 1051 063 TN	19,845
95,0	110,1	6,30	TSS 0950 1101 063 TN	20,979
100,0	115,1	6,30	TSS 1000 1151 063 TN	22,680
110,0	125,1	6,30	TSS 1100 1251 063 TN	27,500
120,0	135,1	6,30	TSS 1200 1351 063 TN	34,020
125,0	140,1	6,30	TSS 1250 1401 063 TN	37,989
130,0	145,1	6,30	TSS 1300 1451 063 TN	41,108
140,0	155,1	6,30	TSS 1400 1551 063 TN	45,360
150,0	165,1	6,30	TSS 1500 1651 063 TN	59,535
155,0	170,1	6,30	TSS 1550 1701 063 TN	62,370
160,0	175,1	6,30	TSS 1600 1751 063 TN	65,205
170,0	185,1	6,30	TSS 1700 1851 063 TN	66,623
175,0	190,1	6,30	TSS 1750 1901 063 TN	68,040
180,0	195,1	6,30	TSS 1800 1951 063 TN	70,875
185,0	200,1	6,30	TSS 1850 2001 063 TN	76,545
190,0	205,1	6,30	TSS 1900 2051 063 TN	87,885
195,0	210,1	6,30	TSS 1950 2101 063 TN	93,555
200,0	220,5	8,10	TSS 2000 2205 081 TN	99,225
210,0	230,5	8,10	TSS 2100 2305 081 TN	133,245
220,0	240,5	8,10	TSS 2200 2405 081 TN	136,080
225,0	245,5	8,10	TSS 2250 2455 081 TN	144,585
230,0	250,5	8,10	TSS 2300 2505 081 TN	155,925
240,0	260,5	8,10	TSS 2400 2605 081 TN	172,935
250,0	270,5	8,10	TSS 2500 2705 081 TN	192,780

OLEODINAMICA
HYDRAULIC



RSO

TENUTA STELO - ROD SEAL



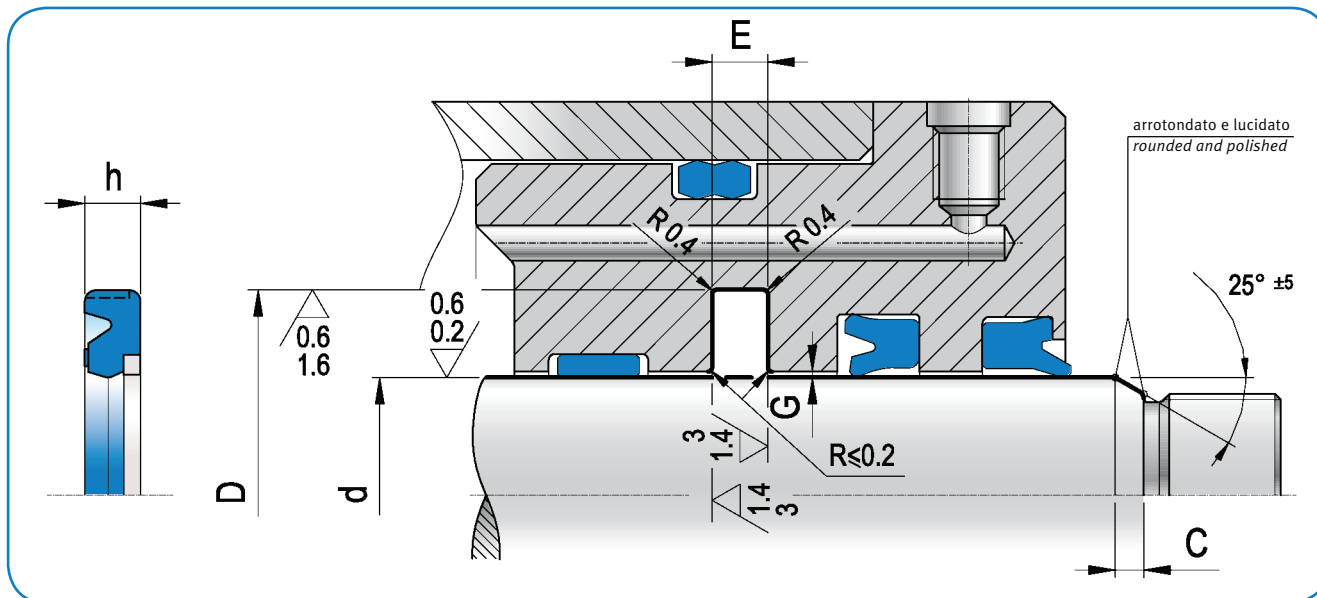
d _{H9}	D _{H10}	E _{+0,2}	ART / ITEM	€ cad/each	
* 12,0 ⁽¹⁾	19,5	3,2	RSO 0120 0195 032 CO	1,135	
* 14,0 ⁽¹⁾	21,5	3,2	RSO 0140 0215 032 CO	1,135	
* 16,0 ⁽¹⁾	23,5	3,2	RSO 0160 0235 032 CO	1,308	
* 18,0 ⁽¹⁾	25,5	3,2	RSO 0180 0255 032 CO	1,308	
* 20,0 ⁽¹⁾	27,5	3,2	RSO 0200 0275 032 CO	1,364	
* 20,0 ⁽²⁾	31,0	4,2	RSO 0200 0310 042 CN	1,544	
* 22,0 ⁽¹⁾	29,5	3,2	RSO 0220 0295 032 CO	1,441	
* 22,0 ⁽²⁾	33,0	4,2	RSO 0220 0330 042 CN	1,544	
* 25,0 ⁽¹⁾	32,5	3,2	RSO 0250 0325 032 CO	1,472	
* 25,0 ⁽²⁾	36,0	4,2	RSO 0250 0360 042 CN	1,602	
* 26,5 ⁽¹⁾	34,0	3,2	RSO 0265 0340 032 CO	1,505	
* 28,0 ⁽²⁾	39,0	4,2	RSO 0280 0390 042 CN	1,686	
* 32,0 ⁽²⁾	43,0	4,2	RSO 0320 0430 042 CN	1,836	
* 36,0 ⁽²⁾	47,0	4,2	RSO 0360 0470 042 CN	2,165	
* 40,0 ⁽²⁾	51,0	4,2	RSO 0400 0510 042 CN	2,326	
* 40,0	55,5	6,3	RSO 0400 0555 063 CN	2,396	
* 45,0	56,0	4,2	RSO 0450 0560 042 CN	2,396	
	45,0	60,5	6,3	RSO 0450 0605 063 CN	2,532
* 50,0	61,0	4,2	RSO 0500 0610 042 CN	2,532	
	50,0	65,5	6,3	RSO 0500 0655 063 CN	2,532
	55,0	66,0	4,2	RSO 0550 0660 042 CN	2,532
	55,0	70,5	6,3	RSO 0550 0705 063 CN	2,532
* 56,0	67,0	4,2	RSO 0560 0670 042 CN	2,631	
* 56,0	71,5	6,3	RSO 0560 0715 063 CN	2,631	
* 63,0	74,0	4,2	RSO 0630 0740 042 CN	2,729	
* 63,0	78,5	6,3	RSO 0630 0785 063 CN	2,813	
	65,0	80,5	6,3	RSO 0650 0805 063 CN	2,813

d _{H9}	D _{H10}	E _{+0,2}	ART / ITEM	€ cad/each	
* 70,0	85,5	6,3	RSO 0700 0855 063 CN	2,972	
	75,0	86,0	4,2	RSO 0750 0860 042 CN	2,972
	75,0	90,5	6,3	RSO 0750 0905 063 CN	3,029
* 80,0	95,5	6,3	RSO 0800 0955 063 CN	3,097	
* 90,0	105,5	6,3	RSO 0900 1055 063 CN	3,293	
	95,0	110,5	6,3	RSO 0950 1105 063 CN	3,449
* 100,0	115,5	6,3	RSO 1000 1155 063 CN	3,469	
	105,0	120,5	6,3	RSO 1050 1205 063 CN	3,910
	110,0	125,5	6,3	RSO 1100 1255 063 CN	4,039
	115,0	130,5	6,3	RSO 1150 1305 063 CN	4,629
	120,0	135,5	6,3	RSO 1200 1355 063 CN	5,220
	130,0	145,5	6,3	RSO 1300 1455 063 CN	5,407
	135,0	150,5	6,3	RSO 1350 1505 063 CN	5,594
* 140,0	155,5	6,3	RSO 1400 1555 063 CN	5,764	
	145,0	160,5	6,3	RSO 1450 1605 063 CN	5,764
	150,0	165,5	6,3	RSO 1500 1655 063 CN	6,527
* 160,0	175,5	6,3	RSO 1600 1755 063 CN	7,207	
* 160,0	181,0	8,1	RSO 1600 1810 081 CN	7,473	
* 180,0	195,5	6,3	RSO 1800 1955 063 CN	11,070	
	190,0	205,5	6,3	RSO 1900 2055 063 CN	11,968
	200,0	215,5	6,3	RSO 2000 2155 063 CN	12,864
* 200,0	221,0	8,1	RSO 2000 2210 081 CN	14,063	

(1) = per RSO con sezione 3,75 mm non viene fornito con o-ring – for cross section 3.75mm RSO is supplied without o-ring

(2) = si consiglia la sede aperta per facilitare montaggio – open groove housing is recommended for easier installation

RBR BUFFER RING



RSA
 RSB
 RSB2
 RSC
 RSD
 TSS
 RSO
RBR
 RPS

dh9	DH10	E+0,2	ART / ITEM	€ cad/each
45,0	60,5	6,3	RBR 0450 0605 063 CR	2,666
50,0	65,5	6,3	RBR 0500 0655 063 CR	2,730
55,0	70,5	6,3	RBR 0550 0705 063 CR	2,751
56,0	71,5	6,3	RBR 0560 0715 063 CR	2,770
60,0	75,5	6,3	RBR 0600 0755 063 CR	2,812
65,0	80,5	6,3	RBR 0650 0805 063 CR	2,835
63,0	78,5	6,3	RBR 0630 0785 063 CR	2,870
70,0	85,5	6,3	RBR 0700 0855 063 CR	3,128
75,0	90,5	6,3	RBR 0750 0905 063 CR	3,203
80,0	95,5	6,3	RBR 0800 0955 063 CR	3,259
85,0	100,5	6,3	RBR 0850 1005 063 CR	3,363
90,0	105,5	6,3	RBR 0900 1055 063 CR	3,465

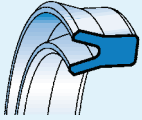
dh9	DH10	E+0,2	ART / ITEM	€ cad/each
95,0	110,5	6,3	RBR 0950 1105 063 CR	3,518
100,0	115,5	6,3	RBR 1000 1155 063 CR	3,650
105,0	120,5	6,3	RBR 1050 1205 063 CR	4,095
110,0	125,5	6,3	RBR 1100 1255 063 CR	4,515
115,0	130,5	6,3	RBR 1150 1305 063 CR	4,935
120,0	135,5	6,3	RBR 1200 1355 063 CR	5,355
125,0	140,5	6,3	RBR 1250 1405 063 CR	5,587
150,0	165,5	6,3	RBR 1500 1655 063 CR	6,861
170,0	185,5	6,3	RBR 1700 1855 063 CR	9,743
180,0	195,5	6,3	RBR 1800 1955 063 CR	11,630
200,0	220,5	8,1	RBR 2000 2205 081 CR	14,774

CR = CO (TPU 93 shore A) + RO (POM)

Nota: altre dimensioni non a catalogo a richiesta. Consultare il nostro ufficio tecnico.

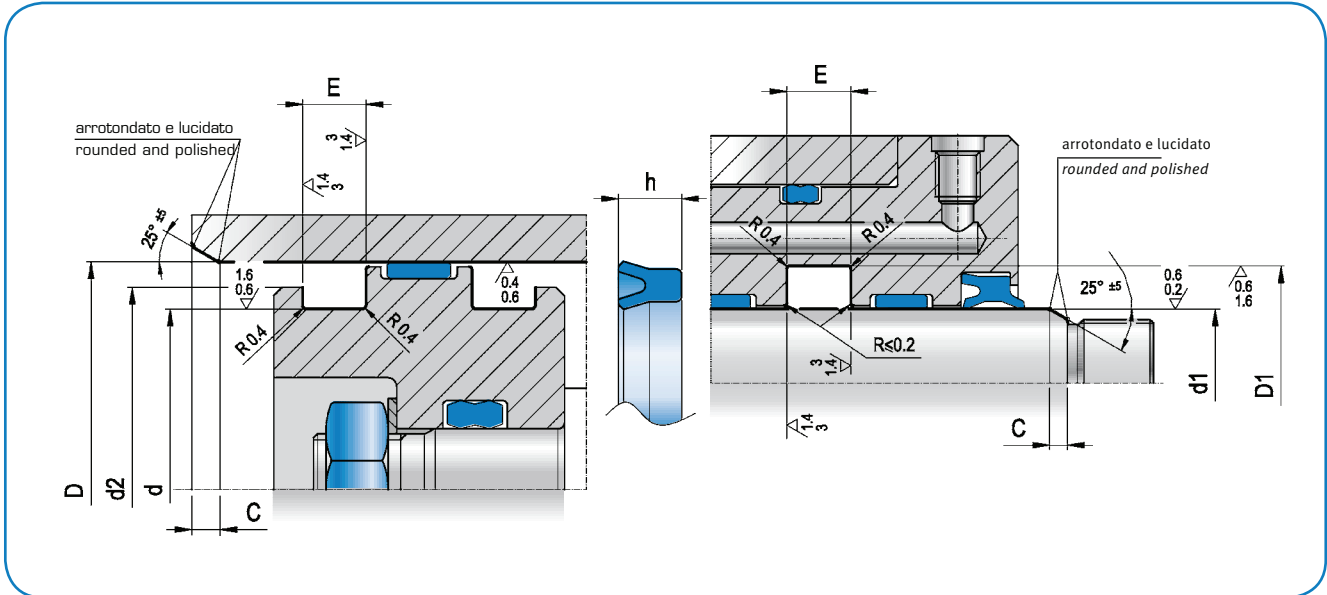
Remark: please contact our technical dept. for further dimensions not included in the catalogue.

OLEODINAMICA
 HYDRAULIC



RPS

TENUTA STELO - ROD SEAL



d_{h11} d_{1h9}	D_{H9} D_{1H10}	h	ART / ITEM	€ cad/each
4,0	8,0	3,5	RPS 0040 0080 035 CO	0,947
4,0	10,0	4,0	RPS 0040 0100 040 CO	0,947
5,0	12,0	4,5	RPS 0050 0120 045 CO	0,947
5,0	12,0	5,0	RPS 0050 0120 050 CO	0,947
6,0	12,0	4,5	RPS 0060 0120 045 CO	1,010
6,0	12,0	5,5	RPS 0060 0120 055 CO	1,010
6,0	12,0	6,0	RPS 0060 0120 060 CO	1,010
7,0	14,0	3,5	RPS 0070 0140 035 CO	1,010
8,0	12,0	5,0	RPS 0080 0120 050 CO	1,010
8,0	14,0	5,5	RPS 0080 0140 055 CO	1,010
8,0	14,0	6,0	RPS 0080 0140 060 CO	1,010
8,0	15,0	5,7	RPS 0080 0150 057 CO	1,010
8,0	16,0	5,5	RPS 0080 0160 055 CO	1,010
8,0	16,0	5,7	RPS 0080 0160 057 CO	1,010
8,0	16,0	7,0	RPS 0080 0160 070 CO	1,010
9,0	19,0	6,0	RPS 0090 0190 060 CO	1,010
10,0	16,0	6,0	RPS 0100 0160 060 CO	1,049
10,0	18,0	5,5	RPS 0100 0180 055 CO	1,049
10,0	18,0	5,7	RPS 0100 0180 057 CO	1,049
10,0	18,0	6,0	RPS 0100 0180 060 CO	1,049
10,0	18,0	8,0	RPS 0100 0180 080 CO	1,070
10,0	19,0	3,2	RPS 0100 0190 032 CO	1,070
10,0	20,0	7,0	RPS 0100 0200 070 CO	1,070
10,0	20,0	8,0	RPS 0100 0200 080 CO	1,070

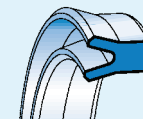
d_{h11} d_{1h9}	D_{H9} D_{1H10}	h	ART / ITEM	€ cad/each
12,0	18,0	5,0	RPS 0120 0180 050 CO	1,049
12,0	18,0	6,0	RPS 0120 0180 060 CO	1,049
12,0	20,0	4,0	RPS 0120 0200 040 CO	1,049
12,0	20,0	7,0	RPS 0120 0200 070 CO	1,070
12,0	20,0	8,0	RPS 0120 0200 080 CO	1,070
12,0	22,0	5,0	RPS 0120 0220 050 CO	1,049
12,0	22,0	7,0	RPS 0120 0220 070 CO	1,070
12,0	22,0	8,0	RPS 0120 0220 080 CO	1,070
12,0	25,0	10,0	RPS 0120 0250 100 CO	1,163
14,0	20,0	4,8	RPS 0140 0200 048 CO	1,070
14,0	22,0	4,0	RPS 0140 0220 040 CO	1,049
14,0	22,0	6,0	RPS 0140 0220 060 CO	1,070
14,0	22,0	8,0	RPS 0140 0220 080 CO	1,070
14,0	22,0	11,0	RPS 0140 0220 110 CO	1,163
14,0	24,0	7,0	RPS 0140 0240 070 CO	1,141
14,0	24,0	8,0	RPS 0140 0240 080 CO	1,141
15,0	25,0	8,0	RPS 0150 0250 080 CO	1,141
15,0	25,0	10,0	RPS 0150 0250 100 CO	1,163
16,0	22,0	4,0	RPS 0160 0220 040 CO	1,049
16,0	22,0	5,0	RPS 0160 0220 050 CO	1,049
16,0	24,0	5,0	RPS 0160 0240 050 CO	1,141
16,0	24,0	5,7	RPS 0160 0240 057 CO	1,141
16,0	24,0	7,0	RPS 0160 0240 070 CO	1,163
16,0	26,0	5,0	RPS 0160 0260 050 CO	1,141

* in conformità alle norme ISO/DIN 5597 e ISO 5597/1 – in accordance with ISO/DIN 5597 and ISO 5597/1 norms

** diametro di aggancio consigliato ma modificabile in funzione delle esigenze di montaggio – hook diameter which could be modified according to mounting demand

RPS

TENUTA STELO - ROD SEAL



d _{h11} d _{1h9}	D _{H9} D _{1H10}	h	ART / ITEM	€ cad/each
16,0	26,0	8,0	RPS 0160 0260 080 CO	1,163
16,0	28,0	6,0	RPS 0160 0280 060 CO	1,163
17,0	25,0	10,0	RPS 0170 0250 100 CO	1,335
18,0	25,0	5,0	RPS 0180 0250 050 CO	1,241
18,0	26,0	6,5	RPS 0180 0260 065 CO	1,241
18,0	28,0	6,0	RPS 0180 0280 060 CO	1,292
18,0	28,0	8,0	RPS 0180 0280 080 CO	1,335
18,0	30,0	8,0	RPS 0180 0300 080 CO	1,335
19,0	25,0	6,0	RPS 0190 0250 060 CO	1,141
20,0	28,0	4,0	RPS 0200 0280 040 CO	1,241
20,0	28,0	4,5	RPS 0200 0280 045 CO	1,241
20,0	30,0	8,0	RPS 0200 0300 080 CO	1,493
20,0	30,0	10,0	RPS 0200 0300 100 CO	1,493
20,0	32,0	7,5	RPS 0200 0320 075 CO	1,465
20,0	35,0	12,0	RPS 0200 0350 120 CO	1,562
20,0	40,0	10,0	RPS 0200 0400 100 CO	1,595
20,0	40,0	12,0	RPS 0200 0400 120 CO	1,595
22,0	28,0	8,0	RPS 0220 0280 080 CO	1,335
22,0	30,0	6,0	RPS 0220 0300 060 CO	1,465
22,0	30,0	10,0	RPS 0220 0300 100 CO	1,493
22,0	32,0	8,0	RPS 0220 0320 080 CO	1,493
22,0	32,0	10,0	RPS 0220 0320 100 CO	1,493
22,0	35,0	10,0	RPS 0220 0350 100 CO	1,493
22,0	40,0	10,0	RPS 0220 0400 100 CO	1,562
24,0	32,0	7,0	RPS 0240 0320 070 CO	1,465
25,0	35,0	5,0	RPS 0250 0350 050 CO	1,493
25,0	35,0	8,0	RPS 0250 0350 080 CO	1,529
25,0	35,0	10,0	RPS 0250 0350 100 CO	1,562
25,0	38,0	10,0	RPS 0250 0380 100 CO	1,562
25,0	40,0	10,0	RPS 0250 0400 100 CO	1,562
28,0	35,0	5,0	RPS 0280 0350 050 CO	1,465
28,0	36,0	5,7	RPS 0280 0360 057 CO	1,465
28,0	36,0	6,5	RPS 0280 0360 065 CO	1,465
28,0	38,0	5,7	RPS 0280 0380 057 CO	1,481
28,0	38,0	8,0	RPS 0280 0380 080 CO	1,493
28,0	40,0	10,0	RPS 0280 0400 100 CO	1,562
30,0	38,0	6,0	RPS 0300 0380 060 CO	1,465
30,0	40,0	5,0	RPS 0300 0400 050 CO	1,562
30,0	40,0	7,0	RPS 0300 0400 070 CO	1,562
30,0	40,0	10,0	RPS 0300 0400 100 CO	1,595
30,0	42,0	9,0	RPS 0300 0420 090 CO	1,595
30,0	42,0	10,0	RPS 0300 0420 100 CO	1,651

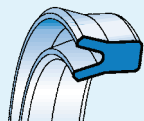
d _{h11} d _{1h9}	D _{H9} D _{1H10}	h	ART / ITEM	€ cad/each
30,0	45,0	10,0	RPS 0300 0450 100 CO	1,703
30,0	50,0	10,0	RPS 0300 0500 100 CO	2,016
30,0	50,0	12,0	RPS 0300 0500 120 CO	2,016
32,0	40,0	5,5	RPS 0320 0400 055 CO	1,595
32,0	40,0	5,7	RPS 0320 0400 057 CO	1,586
32,0	40,0	8,0	RPS 0320 0400 080 CO	1,595
32,0	42,0	7,0	RPS 0320 0420 070 CO	1,595
32,0	42,0	10,0	RPS 0320 0420 100 CO	1,651
32,0	45,0	10,0	RPS 0320 0450 100 CO	1,855
32,0	50,0	12,0	RPS 0320 0500 120 CO	1,855
35,0	45,0	8,0	RPS 0350 0450 080 CO	1,819
35,0	45,0	10,0	RPS 0350 0450 100 CO	1,855
35,0	48,0	10,0	RPS 0350 0480 100 CO	1,943
35,0	50,0	10,0	RPS 0350 0500 100 CO	2,016
35,0	55,0	10,0	RPS 0350 0550 100 CO	2,079
36,0	46,0	7,0	RPS 0360 0460 070 CO	1,819
38,0	45,0	5,0	RPS 0380 0450 050 CO	1,819
38,0	50,0	9,0	RPS 0380 0500 090 CO	2,016
38,0	55,0	10,0	RPS 0380 0550 100 CO	2,079
40,0	50,0	6,0	RPS 0400 0500 060 CO	2,016
40,0	50,0	6,5	RPS 0400 0500 065 CO	2,016
40,0	50,0	7,0	RPS 0400 0500 070 CO	2,029
40,0	50,0	8,0	RPS 0400 0500 080 CO	2,029
40,0	50,0	10,0	RPS 0400 0500 100 CO	2,029
40,0	55,0	10,0	RPS 0400 0550 100 CO	2,079
40,0	56,0	10,0	RPS 0400 0560 100 CO	2,128
40,0	60,0	10,0	RPS 0400 0600 100 CO	2,170
40,0	60,0	13,0	RPS 0400 0600 130 CO	2,178
42,0	52,0	9,0	RPS 0420 0520 090 CO	2,029
45,0	55,0	6,5	RPS 0450 0550 065 CO	2,058
45,0	55,0	10,0	RPS 0450 0550 100 CO	2,155
45,0	60,0	10,0	RPS 0450 0600 100 CO	2,178
45,0	63,0	10,0	RPS 0450 0630 100 CO	2,170
45,0	65,0	10,0	RPS 0450 0650 100 CO	2,210
45,0	65,0	12,0	RPS 0450 0650 120 CO	2,210
48,0	58,0	10,0	RPS 0480 0580 100 CO	2,178
50,0	60,0	10,0	RPS 0500 0600 100 CO	2,210
50,0	60,0	11,0	RPS 0500 0600 110 CO	2,210
50,0	63,0	6,0	RPS 0500 0630 060 CO	2,170
50,0	65,0	10,0	RPS 0500 0650 100 CO	2,241
50,0	70,0	10,0	RPS 0500 0700 100 CO	2,303
50,0	70,0	12,0	RPS 0500 0700 120 CO	2,303

RSA
RSB
RSB2
RSC
RSD
TSS
RSO
RBR
RPS

OLEODINAMICA
HYDRAULIC

* in conformità alle norme ISO/DIN 5597 e ISO 5597/1 – in accordance with ISO/DIN 5597 and ISO 5597/1 norms

** diametro di aggancio consigliato ma modificabile in funzione delle esigenze di montaggio – hook diameter which could be modified according to mounting demand



RPS

TENUTA STELO - ROD SEAL

d _{h11} d _{1h9}	D _{H9} D _{1H10}	h	ART / ITEM	€ cad/each
53,0	63,0	6,5	RPS 0530 0630 065 C0	2,170
55,0	65,0	10,0	RPS 0550 0650 100 C0	2,210
55,0	65,0	12,0	RPS 0550 0650 120 C0	2,210
55,0	70,0	12,0	RPS 0550 0700 120 C0	2,303
55,0	75,0	12,0	RPS 0550 0750 120 C0	2,339
56,0	66,0	10,0	RPS 0560 0660 100 C0	2,303
56,0	71,0	10,0	RPS 0560 0710 100 C0	2,339
60,0	70,0	8,0	RPS 0600 0700 080 C0	2,303
60,0	70,0	10,0	RPS 0600 0700 100 C0	2,303
60,0	70,0	12,0	RPS 0600 0700 120 C0	2,339
60,0	75,0	10,0	RPS 0600 0750 100 C0	2,433
60,0	75,0	12,0	RPS 0600 0750 120 C0	2,433
60,0	80,0	10,0	RPS 0600 0800 100 C0	2,622
60,0	80,0	12,0	RPS 0600 0800 120 C0	2,710
63,0	75,0	10,0	RPS 0630 0750 100 C0	2,533
63,0	78,0	10,0	RPS 0630 0780 100 C0	2,533
63,0	80,0	10,0	RPS 0630 0800 100 C0	2,690
65,0	75,0	12,0	RPS 0650 0750 120 C0	2,533
65,0	80,0	10,0	RPS 0650 0800 100 C0	2,690
65,0	80,0	11,0	RPS 0650 0800 110 C0	2,710
65,0	80,0	12,0	RPS 0650 0800 120 C0	2,710
65,0	85,0	10,0	RPS 0650 0850 100 C0	2,690
65,0	85,0	12,0	RPS 0650 0850 120 C0	2,690
66,0	76,0	8,0	RPS 0660 0760 080 C0	2,533
67,0	77,0	12,0	RPS 0670 0770 120 C0	2,622
70,0	80,0	7,0	RPS 0700 0800 070 C0	2,533
70,0	80,0	8,0	RPS 0700 0800 080 C0	2,533
70,0	80,0	10,0	RPS 0700 0800 100 C0	2,622
70,0	80,0	12,0	RPS 0700 0800 120 C0	2,622
70,0	85,0	10,0	RPS 0700 0850 100 C0	2,662
70,0	85,0	12,0	RPS 0700 0850 120 C0	2,662
70,0	90,0	10,0	RPS 0700 0900 100 C0	2,690
70,0	90,0	12,0	RPS 0700 0900 120 C0	2,690
75,0	85,0	10,0	RPS 0750 0850 100 C0	2,662
75,0	85,0	12,0	RPS 0750 0850 120 C0	2,662
75,0	90,0	10,0	RPS 0750 0900 100 C0	2,710
75,0	90,0	12,0	RPS 0750 0900 120 C0	2,710
75,0	95,0	12,0	RPS 0750 0950 120 C0	2,725
75,0	95,0	13,5	RPS 0750 0950 135 C0	2,725
80,0	90,0	7,0	RPS 0800 0900 070 C0	2,662
80,0	90,0	10,0	RPS 0800 0900 100 C0	2,710
80,0	90,0	12,0	RPS 0800 0900 120 C0	2,710

d _{h11} d _{1h9}	D _{H9} D _{1H10}	h	ART / ITEM	€ cad/each
80,0	95,0	12,0	RPS 0800 0950 120 C0	2,725
80,0	100,0	10,0	RPS 0800 1000 100 C0	2,774
80,0	100,0	12,0	RPS 0800 1000 120 C0	2,774
85,0	95,0	8,5	RPS 0850 0950 085 C0	2,725
85,0	95,0	12,0	RPS 0850 0950 120 C0	2,774
85,0	100,0	9,0	RPS 0850 1000 090 C0	2,774
85,0	100,0	12,0	RPS 0850 1000 120 C0	2,787
85,0	105,0	12,0	RPS 0850 1050 120 C0	2,787
90,0	100,0	7,0	RPS 0900 1000 070 C0	2,774
90,0	100,0	8,0	RPS 0900 1000 080 C0	2,774
90,0	100,0	10,5	RPS 0900 1000 105 C0	2,787
90,0	100,0	12,0	RPS 0900 1000 120 C0	2,787
90,0	105,0	12,0	RPS 0900 1050 120 C0	2,917
90,0	110,0	12,0	RPS 0900 1100 120 C0	3,047
90,0	110,0	18,0	RPS 0900 1100 180 C0	3,146
95,0	105,0	12,0	RPS 0950 1050 120 C0	2,774
95,0	110,0	12,0	RPS 0950 1100 120 C0	3,047
95,0	110,0	12,5	RPS 0950 1100 125 C0	3,047
95,0	110,0	15,0	RPS 0950 1100 150 C0	3,146
95,0	112,0	11,0	RPS 0950 1120 110 C0	3,047
95,0	115,0	12,0	RPS 0950 1150 120 C0	3,146
95,0	115,0	18,0	RPS 0950 1150 180 C0	5,179
100,0	115,0	12,0	RPS 1000 1150 120 C0	3,772
100,0	120,0	12,0	RPS 1000 1200 120 C0	3,885
100,0	125,0	15,0	RPS 1000 1250 150 C0	4,335
105,0	125,0	12,0	RPS 1050 1250 120 C0	4,218
105,0	125,0	15,0	RPS 1050 1250 150 C0	4,218
110,0	130,0	15,0	RPS 1100 1300 150 C0	4,349
125,0	140,0	15,0	RPS 1250 1400 150 C0	4,914
170,0	190,0	15,0	RPS 1700 1900 150 C0	8,232
200,0	220,0	12,0	RPS 2000 2200 120 C0	12,931

Per diametri superiori a 200mm sono disponibili le tenute tipo MAD e tipo CSC della Macma.

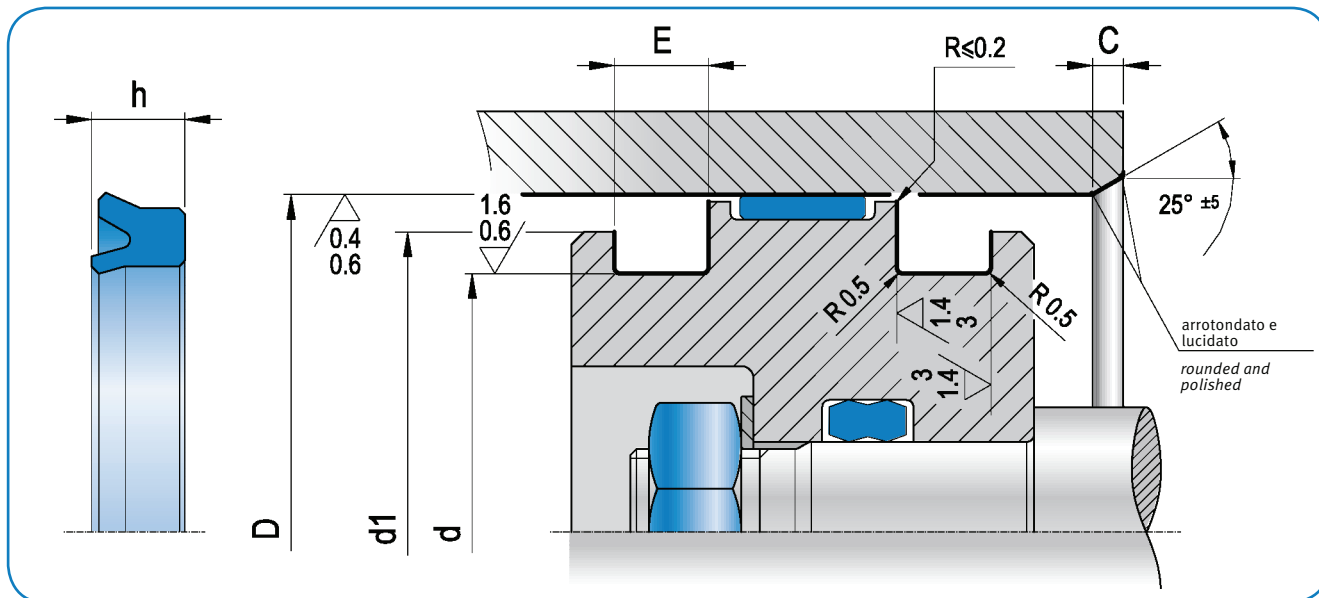
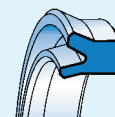
Seals type MAD and type CSC, produced by Macma, are available for diameters bigger than 200 mm.

* in conformità alle norme ISO/DIN 5597 e ISO 5597/1 – in accordance with ISO/DIN 5597 and ISO 5597/1 norms

** diametro di aggancio consigliato ma modificabile in funzione delle esigenze di montaggio – hook diameter which could be modified according to mounting demand

PSA

TENUTA PISTONE - PISTON SEAL



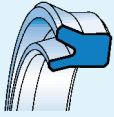
PSA
 PAE
 PSH
 RR
 PSO
 PSQ
 TPD
 KDSA
 KDSB
 KDSP
 KDAE

OLEODINAMICA
 HYDRAULIC

D _{H9}	d _{h9}	h	ART / ITEM	€ cad/each
20,0	12,0	6,5	PSA 0200 0120 065 C0	1,097
20,0	14,0	5,5	PSA 0200 0140 055 C0	1,069
22,0	12,0	8,0	PSA 0220 0120 080 C0	1,097
25,0	15,0	8,0	PSA 0250 0150 080 C0	1,158
30,0	20,0	8,0	PSA 0300 0200 080 C0	1,352
30,0	22,0	6,5	PSA 0300 0220 065 C0	1,364
32,0	22,0	10,0	PSA 0320 0220 100 C0	1,420
32,0	24,0	5,7	PSA 0320 0240 057 C0	1,320
32,0	26,0	5,0	PSA 0320 0260 050 C0	1,320
35,0	20,0	10,0	PSA 0350 0200 100 C0	1,512
35,0	25,0	8,0	PSA 0350 0250 080 C0	1,450
37,0	21,0	12,0	PSA 0370 0210 120 C0	1,512
40,0	25,0	10,0	PSA 0400 0250 100 C0	1,612
40,0	30,0	6,5	PSA 0400 0300 065 C0	1,573
40,0	30,0	10,0	PSA 0400 0300 100 C0	1,612
40,0	32,0	5,5	PSA 0400 0320 055 C0	1,573
40,0	32,0	8,0	PSA 0400 0320 080 C0	1,612
42,0	32,0	10,0	PSA 0420 0320 100 C0	1,612
45,0	30,0	10,0	PSA 0450 0300 100 C0	1,872
50,0	30,0	12,0	PSA 0500 0300 120 C0	2,050
50,0	32,0	10,0	PSA 0500 0320 100 C0	2,050
50,0	35,0	8,5	PSA 0500 0350 085 C0	2,033
50,0	35,0	10,0	PSA 0500 0350 100 C0	2,066
50,0	40,0	5,0	PSA 0500 0400 050 C0	2,033
50,0	40,0	10,0	PSA 0500 0400 100 C0	2,033
50,0	42,0	5,5	PSA 0500 0420 055 C0	2,033
50,0	42,0	8,0	PSA 0500 0420 080 C0	2,033

D _{H9}	d _{h9}	h	ART / ITEM	€ cad/each
55,0	40,0	10,0	PSA 0550 0400 100 C0	2,097
60,0	40,0	12,0	PSA 0600 0400 120 C0	2,226
60,0	45,0	10,0	PSA 0600 0450 100 C0	2,175
60,0	50,0	7,0	PSA 0600 0500 070 C0	2,175
60,0	50,0	10,0	PSA 0600 0500 100 C0	2,351
63,0	43,0	12,0	PSA 0630 0430 120 C0	2,380
63,0	45,0	12,0	PSA 0630 0450 120 C0	2,258
63,0	48,0	6,5	PSA 0630 0480 065 C0	2,258
63,0	48,0	10,0	PSA 0630 0480 100 C0	2,258
63,0	48,0	12,0	PSA 0630 0480 120 C0	2,284
63,0	53,0	7,0	PSA 0630 0530 070 C0	2,258
63,0	53,0	12,0	PSA 0630 0530 120 C0	2,380
65,0	45,0	12,0	PSA 0650 0450 120 C0	2,284
65,0	50,0	10,0	PSA 0650 0500 100 C0	2,258
70,0	50,0	12,0	PSA 0700 0500 120 C0	2,388
70,0	55,0	9,5	PSA 0700 0550 095 C0	2,350
70,0	55,0	12,0	PSA 0700 0550 120 C0	2,356
70,0	60,0	7,0	PSA 0700 0600 070 C0	2,258
70,0	60,0	12,0	PSA 0700 0600 120 C0	2,356
70,0	62,0	7,5	PSA 0700 0620 075 C0	2,258
75,0	55,0	13,5	PSA 0750 0550 135 C0	2,580
75,0	65,0	7,0	PSA 0750 0650 070 C0	2,419
75,0	65,0	10,0	PSA 0750 0650 100 C0	2,419
80,0	60,0	12,0	PSA 0800 0600 120 C0	2,623
80,0	65,0	12,0	PSA 0800 0650 120 C0	2,623
80,0	68,0	8,5	PSA 0800 0680 085 C0	2,574
80,0	70,0	7,0	PSA 0800 0700 070 C0	2,574

* diametro di aggancio consigliato ma modificabile in funzione delle esigenze di montaggio
 recommended hook diameter which could be modified according to mounting demand



PSA

TENUTA PISTONE - PISTON SEAL

D _{H9}	d _{h9}	h	ART / ITEM	€ cad/each
80,0	70,0	12,0	PSA 0800 0700 120 C0	2,623
85,0	65,0	12,0	PSA 0850 0650 120 C0	2,623
85,0	65,0	13,5	PSA 0850 0650 135 C0	2,676
85,0	70,0	12,0	PSA 0850 0700 120 C0	2,676
85,0	75,0	10,0	PSA 0850 0750 100 C0	2,676
90,0	70,0	12,0	PSA 0900 0700 120 C0	2,676
90,0	70,0	13,5	PSA 0900 0700 135 C0	2,676
90,0	75,0	12,0	PSA 0900 0750 120 C0	2,676
90,0	80,0	10,0	PSA 0900 0800 100 C0	2,676
95,0	80,0	12,0	PSA 0950 0800 120 C0	2,742
95,0	85,0	7,0	PSA 0950 0850 070 C0	2,710
100,0	80,0	10,0	PSA 1000 0800 100 C0	2,742
100,0	80,0	12,0	PSA 1000 0800 120 C0	2,742
100,0	85,0	12,0	PSA 1000 0850 120 C0	2,810
100,0	88,0	8,5	PSA 1000 0880 085 C0	2,742
100,0	90,0	7,0	PSA 1000 0900 070 C0	2,742
105,0	90,0	12,0	PSA 1050 0900 120 C0	2,871
110,0	90,0	12,0	PSA 1100 0900 120 C0	3,149

D _{H9}	d _{h9}	h	ART / ITEM	€ cad/each
110,0	95,0	12,0	PSA 1100 0950 120 C0	3,107
115,0	95,0	15,0	PSA 1150 0950 150 C0	3,107
115,0	100,0	12,0	PSA 1150 1000 120 C0	3,149
120,0	100,0	12,0	PSA 1200 1000 120 C0	3,424
120,0	105,0	12,0	PSA 1200 1050 120 C0	3,486
125,0	100,0	15,0	PSA 1250 1000 150 C0	3,747
125,0	105,0	12,0	PSA 1250 1050 120 C0	3,648
125,0	105,0	15,0	PSA 1250 1050 150 C0	3,747
125,0	110,0	10,0	PSA 1250 1100 100 C0	3,648
130,0	110,0	15,0	PSA 1300 1100 150 C0	3,689
140,0	120,0	12,0	PSA 1400 1200 120 C0	4,461
150,0	130,0	15,0	PSA 1500 1300 150 C0	5,265
160,0	140,0	11,5	PSA 1600 1400 115 C0	5,639
160,0	140,0	15,0	PSA 1600 1400 150 C0	5,675
180,0	160,0	11,5	PSA 1800 1600 115 C0	6,513
180,0	160,0	15,0	PSA 1800 1600 150 C0	6,550
200,0	170,0	19,0	PSA 2000 1700 190 C0	12,007
250,0	220,0	19,0	PSA 2500 2200 190 C0	18,884

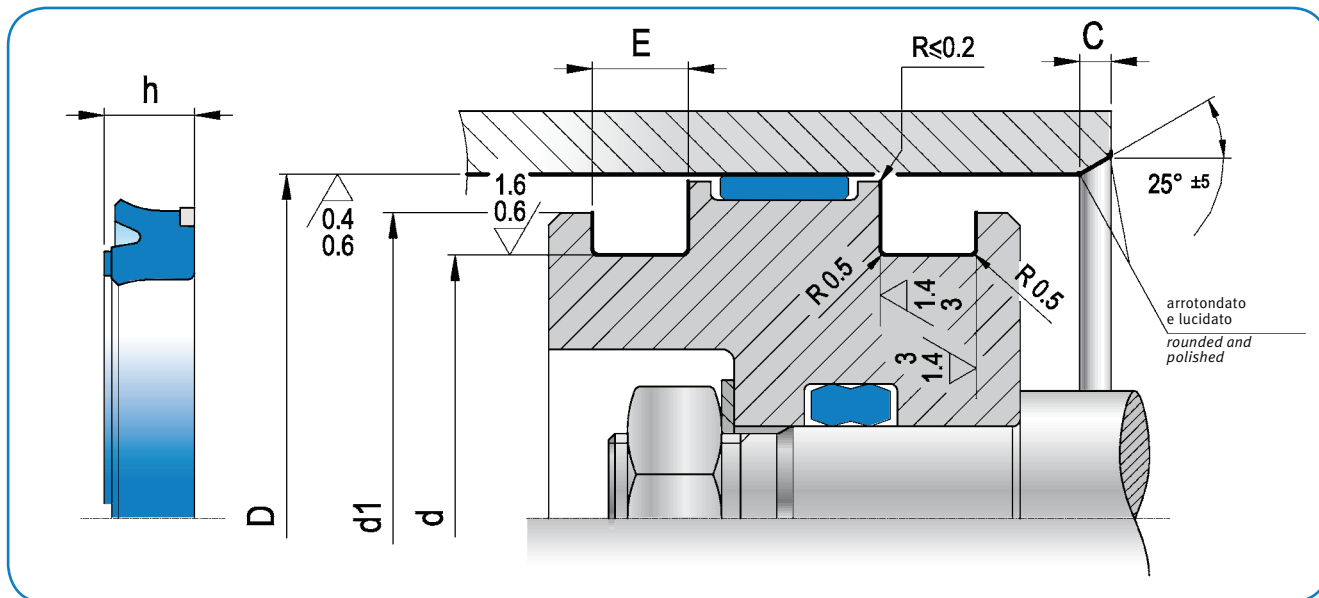
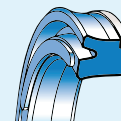
* diametro di aggancio consigliato ma modificabile in funzione delle esigenze di montaggio
recommended hook diameter which could be modified according to mounting demand

Nota: altre dimensioni non a catalogo a richiesta. Consultare il nostro ufficio tecnico.

Remark: please contact our technical dept. for further dimensions not included in the catalogue.

PAE

TENUTA PISTONE CON ANELLO ANTIESTRUSIONE PISTON SEAL WITH ANTIEXTRUSION RING



PSA
PAE
 PSH
 RR
 PSO
 PSQ
 TPD
 KDSA
 KDSB
 KDSP
 KDAE

OLEODINAMICA
 HYDRAULIC

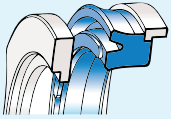
D _{H9}	d _{h9}	h	ART / ITEM	€ cad/each
40,0	25,0	9,3	PAE 0400 0250 093 CR	2,113
45,0	30,0	9,3	PAE 0450 0300 093 CR	2,458
50,0	35,0	9,3	PAE 0500 0350 093 CR	2,671
55,0	40,0	9,3	PAE 0550 0400 093 CR	2,756
60,0	45,0	9,3	PAE 0600 0450 093 CR	2,859
63,0	48,0	9,3	PAE 0630 0480 093 CR	2,893
65,0	50,0	9,3	PAE 0650 0500 093 CR	2,968
70,0	50,0	12,2	PAE 0700 0500 122 CR	3,141
75,0	55,0	12,2	PAE 0750 0550 122 CR	3,395
80,0	60,0	12,2	PAE 0800 0600 122 CR	3,452
85,0	70,0	9,3	PAE 0850 0700 093 CR	3,522
90,0	70,0	12,2	PAE 0900 0700 122 CR	3,522

D _{H9}	d _{h9}	h	ART / ITEM	€ cad/each
100,0	80,0	12,2	PAE 1000 0800 122 CR	3,610
105,0	85,0	12,2	PAE 1050 0850 122 CR	3,781
110,0	90,0	12,2	PAE 1100 0900 122 CR	4,149
115,0	95,0	12,2	PAE 1150 0950 122 CR	4,094
125,0	100,0	15,2	PAE 1250 1000 152 CR	4,941
125,0	105,0	12,2	PAE 1250 1050 122 CR	4,810
130,0	110,0	12,2	PAE 1300 1100 122 CR	4,864
140,0	115,0	15,2	PAE 1400 1150 152 CR	5,828
140,0	120,0	12,2	PAE 1400 1200 122 CR	5,887

* diametro di aggancio consigliato ma modificabile in funzione delle esigenze di montaggio
 recommended hook diameter which could be modified according to mounting demand

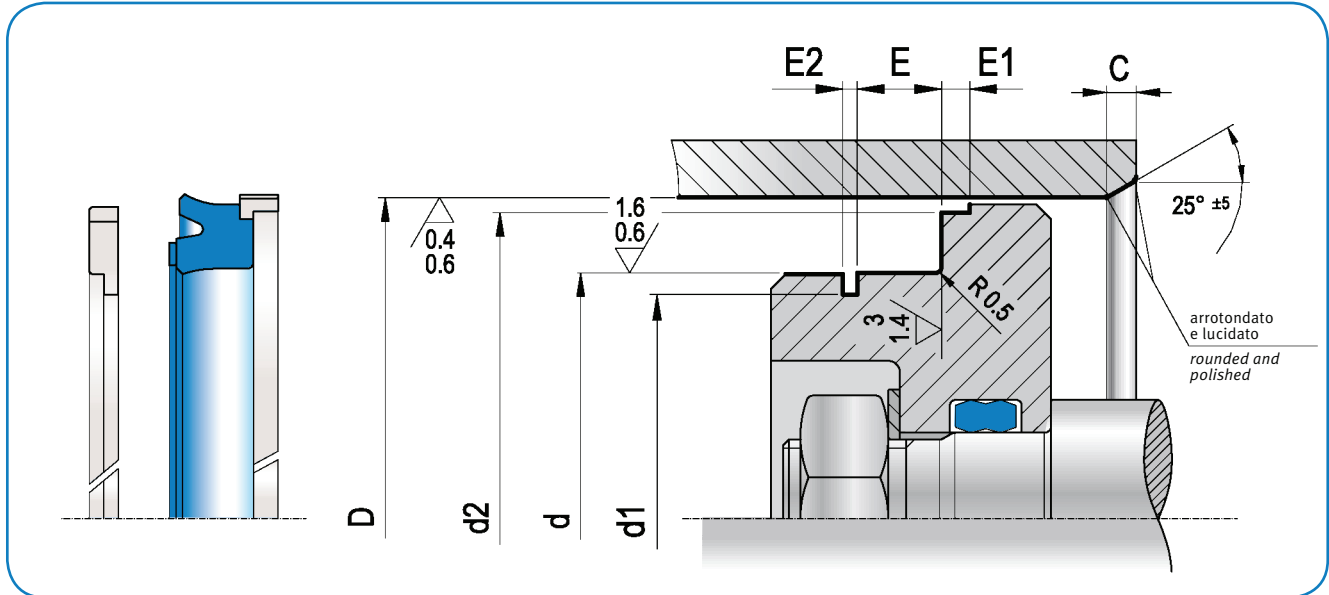
Nota: altre dimensioni non a catalogo a richiesta. Consultare il nostro ufficio tecnico.

Remark: please contact our technical dept. for further dimensions not included in the catalogue.



PSH+RR

TENUTA PISTONE CON ANELLO GUIDA E RITEGNO PISTON SEAL WITH WEAR AND RETAINING RING



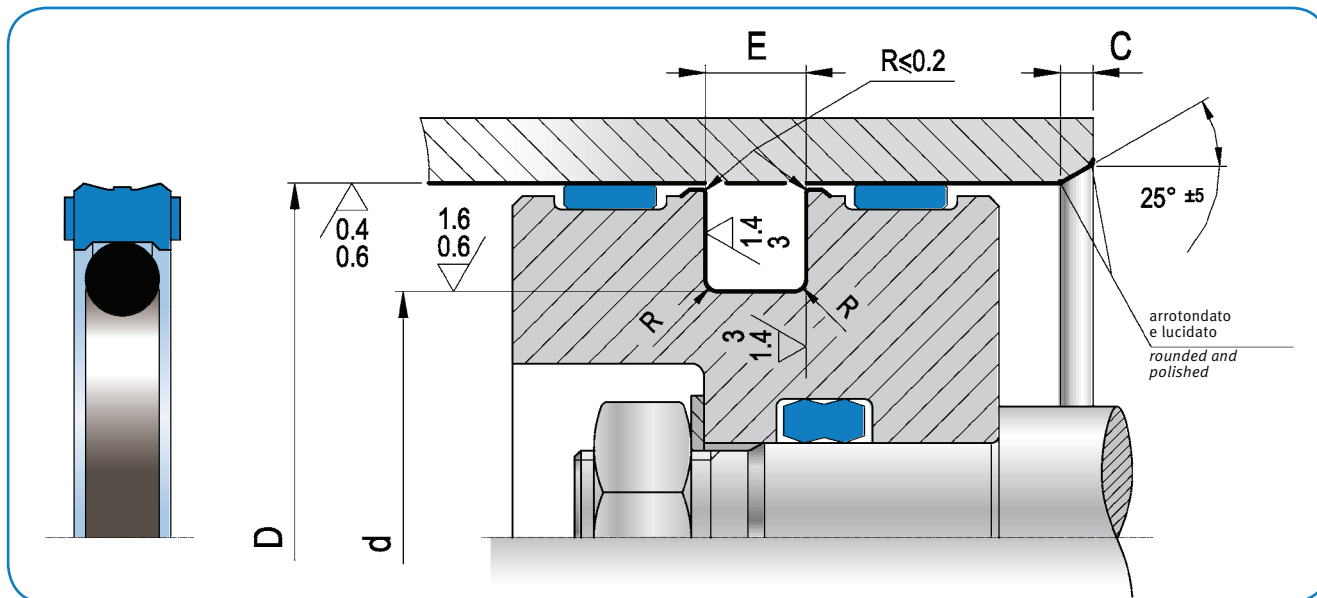
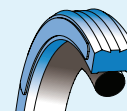
D _{H9}	d _{h9}	E +0,2	ART / ITEM	€ cad/each	ART / ITEM	€ cad/each
32,0	20,0	10,0	PSH 0320 0200 100 CR	1,694	RR 0320 0200 R2	0,578
35,0	22,0	10,0	PSH 0350 0220 100 CR	1,849	RR 0350 0220 R2	0,578
40,0	26,0	9,4	PSH 0400 0260 094 CR	2,127	RR 0400 0260 R2	0,641
45,0	30,0	9,5	PSH 0450 0300 095 CR	2,461	RR 0450 0300 R2	0,641
50,0	30,0	14,5	PSH 0500 0300 145 CR	2,573	RR 0500 0300 R2	0,641
50,0	35,0	11,0	PSH 0500 0350 110 CR	2,606		0,000
55,0	40,0	11,0	PSH 0550 0400 110 CR	2,606	RR 0550 0400 R2	0,641
60,0	40,0	14,5	PSH1 0600 0400 145 CR	2,785	RR 0600 0400 R2	0,641
60,0	40,0	14,5	PSH 0600 0400 145 CR	2,785	RR 0600 0400 R2	0,641
60,0	45,0	11,0	PSH 0600 0450 110 CR	2,756		0,000
63,0	45,0	10,5	PSH 0630 0450 105 CR	2,751	RR 0630 0450 R2	0,714
70,0	50,0	14,5	PSH 0700 0500 145 CR	3,151	RR 0700 0500 R2	0,714
75,0	55,0	14,5	PSH 0750 0550 145 CR	3,269	RR 0750 0550 R2	0,774
90,0	70,0	14,5	PSH 0900 0700 145 CR	3,597	RR 0900 0700 R2	0,887
95,0	75,0	14,5	PSH 0950 0750 145 CR	3,787	RR 0950 0750 R2	0,972

Nota: altre dimensioni non a catalogo a richiesta. Consultare il nostro ufficio tecnico.

Remark: please contact our technical dept. for further dimensions not included in the catalogue.

PSO

TENUTA PISTONE - PISTON SEAL

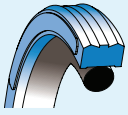


- PSA
- PAE
- PSH
- RR
- PSO**
- PSQ
- TPD
- KDSA
- KDSB
- KDSP
- KDAE

D _{H9}	d _{h9}	E _{+0,2}	ART / ITEM	€ cad/each
12,00	7,1	2,2	PSO 0120 0710 022 CN	1,260
* 20,00	12,50	3,2	PSO 0200 0125 032 CN	1,361
22,00	14,50	3,2	PSO 0220 0145 032 CN	1,423
24,00	16,50	3,2	PSO 0240 0165 032 CN	1,423
* 25,00	14,00	4,2	PSO 0250 0140 042 CN	1,457
* 25,00	17,50	3,2	PSO 0250 0175 032 CN	1,457
28,00	20,50	3,2	PSO 0280 0205 032 CN	1,457
30,00	22,50	3,2	PSO 0300 0225 032 CN	1,485
32,00	21,00	4,2	PSO 0320 0210 042 CN	1,583
* 32,00	24,50	3,2	PSO 0320 0245 032 CN	1,583
35,00	24,00	4,2	PSO 0350 0240 042 CN	1,682
35,00	27,50	3,2	PSO 0350 0275 032 CN	1,682
36,00	25,00	4,2	PSO 0360 0250 042 CN	1,682
36,00	28,50	3,2	PSO 0360 0285 032 CN	1,682
38,00	30,50	3,2	PSO 0380 0305 032 CN	1,715
40,00	24,50	6,3	PSO 0400 0245 063 CN	1,745
* 40,00	29,00	4,2	PSO 0400 0290 042 CN	1,745
42,00	31,00	4,2	PSO 0420 0310 042 CN	1,745
45,00	29,50	6,3	PSO 0450 0295 063 CN	1,844
45,00	34,00	4,2	PSO 0450 0340 042 CN	1,844
48,00	37,00	4,2	PSO 0480 0370 042 CN	1,937
49,00	38,00	4,2	PSO 0490 0380 042 CN	1,937
50,00	34,50	6,3	PSO 0500 0345 063 CN	2,006
* 50,00	39,00	4,2	PSO 0500 0390 042 CN	2,006
50,80	39,80	4,2	PSO 0508 0398 042 CN	2,006
52,00	36,50	6,3	PSO 0520 0365 063 CN	2,126
55,00	39,50	6,3	PSO 0550 0395 063 CN	2,261

D _{H9}	d _{h9}	E _{+0,2}	ART / ITEM	€ cad/each
55,00	44,00	4,2	PSO 0550 0440 042 CN	2,261
57,00	46,00	4,2	PSO 0570 0460 042 CN	2,273
60,00	44,50	6,3	PSO 0600 0445 063 CN	2,521
60,00	49,00	4,2	PSO 0600 0490 042 CN	2,521
* 63,00	47,50	6,3	PSO 0630 0475 063 CN	2,651
* 63,00	52,00	4,2	PSO 0630 0520 042 CN	2,651
63,50	52,50	4,2	PSO 0635 0525 042 CN	2,651
65,00	49,50	6,3	PSO 0650 0495 063 CN	2,713
65,00	54,00	4,2	PSO 0650 0540 042 CN	2,713
70,00	54,50	6,3	PSO 0700 0545 063 CN	2,775
70,00	59,00	4,2	PSO 0700 0590 042 CN	2,775
72,00	61,00	4,2	PSO 0720 0610 042 CN	2,775
75,00	59,50	6,3	PSO 0750 0595 063 CN	2,974
75,00	64,00	4,2	PSO 0750 0640 042 CN	2,974
* 80,00	64,50	6,3	PSO 0800 0645 063 CN	3,135
* 80,00	69,00	4,2	PSO 0800 0690 042 CN	3,135
85,00	69,50	6,3	PSO 0850 0695 063 CN	3,421
88,90	73,40	6,3	PSO 0889 0734 063 CN	3,493
90,00	74,50	6,3	PSO 0900 0745 063 CN	3,551
95,00	79,50	6,3	PSO 0950 0795 063 CN	3,824
* 100,00	84,50	6,3	PSO 1000 0845 063 CN	4,004
105,00	89,50	6,3	PSO 1050 0895 063 CN	4,259
110,00	94,50	6,3	PSO 1100 0945 063 CN	4,426
115,00	94,00	8,1	PSO 1150 0940 081 CN	4,600
115,00	99,50	6,3	PSO 1150 0995 063 CN	4,600
118,00	102,50	6,3	PSO 1180 1025 063 CN	4,780
120,00	104,50	6,3	PSO 1200 1045 063 CN	4,780

* in conformità alle norme ISO/DIN 5597 e ISO 5597/1 – in accordance with ISO/DIN 5597 and ISO 5597/1 norms



PSO

TENUTA PISTONE - PISTON SEAL

D _{H9}	d _{h9}	E _{+0,2}	ART / ITEM	€ cad/each
* 125,00	104,00	8,1	PSO 1250 1040 081 CN	4,922
* 125,00	109,50	6,3	PSO 1250 1095 063 CN	4,922
130,00	109,00	8,1	PSO 1300 1090 081 CN	5,178
130,00	114,50	6,3	PSO 1300 1145 063 CN	5,178
135,00	114,00	8,1	PSO 1350 1140 081 CN	5,421
135,00	119,50	6,3	PSO 1350 1195 063 CN	5,421
140,00	119,00	8,1	PSO 1400 1190 081 CN	5,695
145,00	124,00	8,1	PSO 1450 1240 081 CN	5,695
150,00	129,00	8,1	PSO 1500 1290 081 CN	6,342
* 160,00	139,00	8,1	PSO 1600 1390 081 CN	6,572
170,00	149,00	8,1	PSO 1700 1490 081 CN	6,990
177,80	156,80	8,1	PSO 1778 1568 081 CN	7,345
180,00	159,00	8,1	PSO 1800 1590 081 CN	7,443
185,00	164,00	8,1	PSO 1850 1640 081 CN	7,735
190,00	169,00	8,1	PSO 1900 1690 081 CN	8,004
* 200,00	179,00	8,1	PSO 2000 1790 081 CN	8,645
210,00	189,00	8,1	PSO 2100 1890 081 CN	9,161
220,00	199,00	8,1	PSO 2200 1990 081 CN	9,578
230,00	209,00	8,1	PSO 2300 2090 081 CN	10,243
240,00	219,00	8,1	PSO 2400 2190 081 CN	11,366
* 250,00	229,00	8,1	PSO 2500 2290 081 CN	16,728

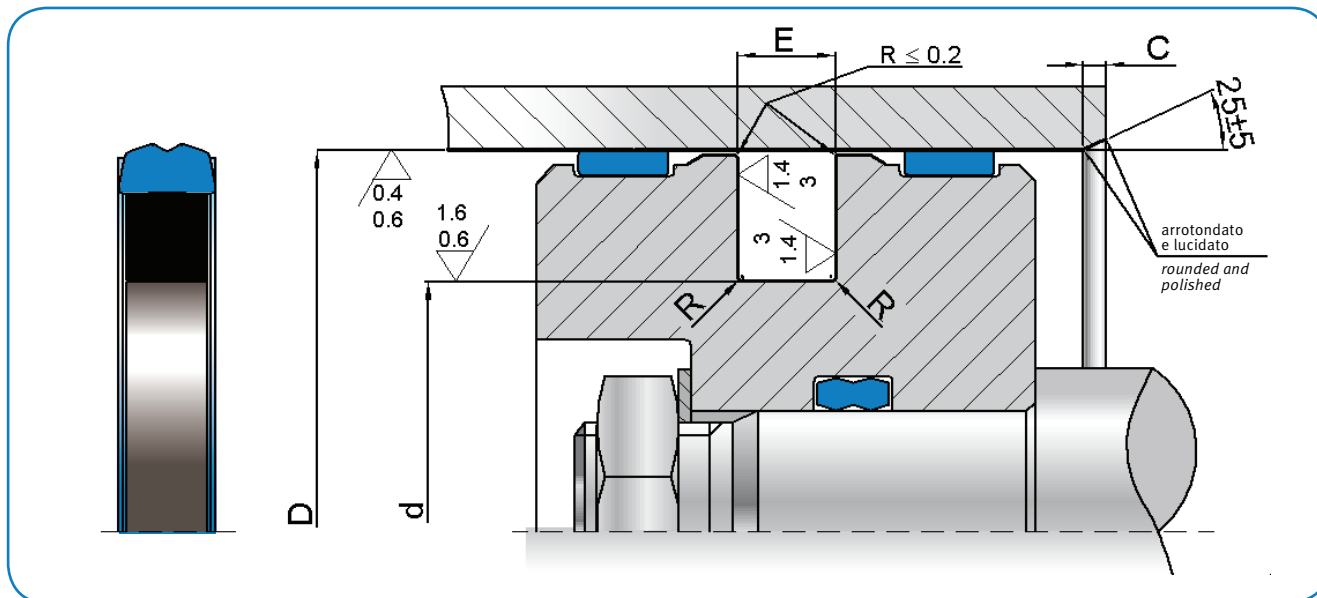
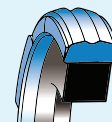
* in conformità alle norme ISO/DIN 5597 e ISO 5597/1 – in accordance with ISO/DIN 5597 and ISO 5597/1 norms
 Materiali alternativi: DN (98 Sh A); EN (55 Sh D) – Alternative compounds: DN (98 Sh A); EN (55 Sh D)

Nota: altre dimensioni non a catalogo a richiesta. Consultare il nostro ufficio tecnico.

Remark: please contact our technical dept. for further dimensions not included in the catalogue.

PSQ

TENUTA PISTONE - PISTON SEAL



- PSA
- PAE
- PSH
- RR
- PSO
- PSQ**
- TPD
- KDSA
- KDSB
- KDSP
- KDAE

D _{H9}	d _{h9}	E _{+0,2}	ART / ITEM	€ cad/each
40,0	24,5	6,3	PSQ 0400 0245 063 CN	1,919
* 40,0	29,0	4,2	PSQ 0400 0290 042 CN	1,919
45,0	34,0	4,2	PSQ 0450 0340 042 CN	2,029
* 50,0	34,5	6,3	PSQ 0500 0345 063 CN	2,203
* 50,0	39,0	4,2	PSQ 0500 0390 042 CN	2,205
55,0	39,5	6,3	PSQ 0550 0395 063 CN	2,273
60,0	44,5	6,3	PSQ 0600 0445 063 CN	2,774
60,0	49,0	4,2	PSQ 0600 0490 042 CN	2,774
* 63,0	47,5	6,3	PSQ 0630 0475 063 CN	2,917
* 63,0	52,0	4,2	PSQ 0630 0520 042 CN	2,917
65,0	49,5	6,3	PSQ 0650 0495 063 CN	2,985
70,0	54,5	6,3	PSQ 0700 0545 063 CN	3,052
70,0	59,0	4,2	PSQ 0700 0590 042 CN	3,052
75,0	59,5	6,3	PSQ 0750 0595 063 CN	3,271
80,0	59,0	8,1	PSQ 0800 0590 081 CN	3,549

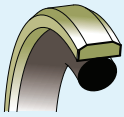
D _{H9}	d _{h9}	E _{+0,2}	ART / ITEM	€ cad/each
* 80,0	64,5	6,3	PSQ 0800 0645 063 CN	3,449
85,0	69,5	6,3	PSQ 0850 0695 063 CN	3,763
90,0	69,0	8,1	PSQ 0900 0690 081 CN	4,024
90,0	74,5	6,3	PSQ 0900 0745 063 CN	3,906
95,0	79,5	6,3	PSQ 0950 0795 063 CN	4,205
100,0	79,0	8,1	PSQ 1000 0790 081 CN	4,529
* 100,0	84,5	6,3	PSQ 1000 0845 063 CN	4,404
105,0	89,5	6,3	PSQ 1050 0895 063 CN	4,685
110,0	89,0	8,1	PSQ 1100 0890 081 CN	5,009
110,0	94,5	6,3	PSQ 1100 0945 063 CN	4,869
115,0	94,0	8,1	PSQ 1150 0940 081 CN	5,060
120,0	99,0	8,1	PSQ 1200 0990 081 CN	5,414
* 125,0	104,0	8,1	PSQ 1250 1040 081 CN	5,565
* 125,0	109,5	6,3	PSQ 1250 1095 063 CN	5,415
130,0	109,0	8,1	PSQ 1300 1090 081 CN	5,695

* ISO 7425

Nota: altre dimensioni non a catalogo a richiesta. Consultare il nostro ufficio tecnico.

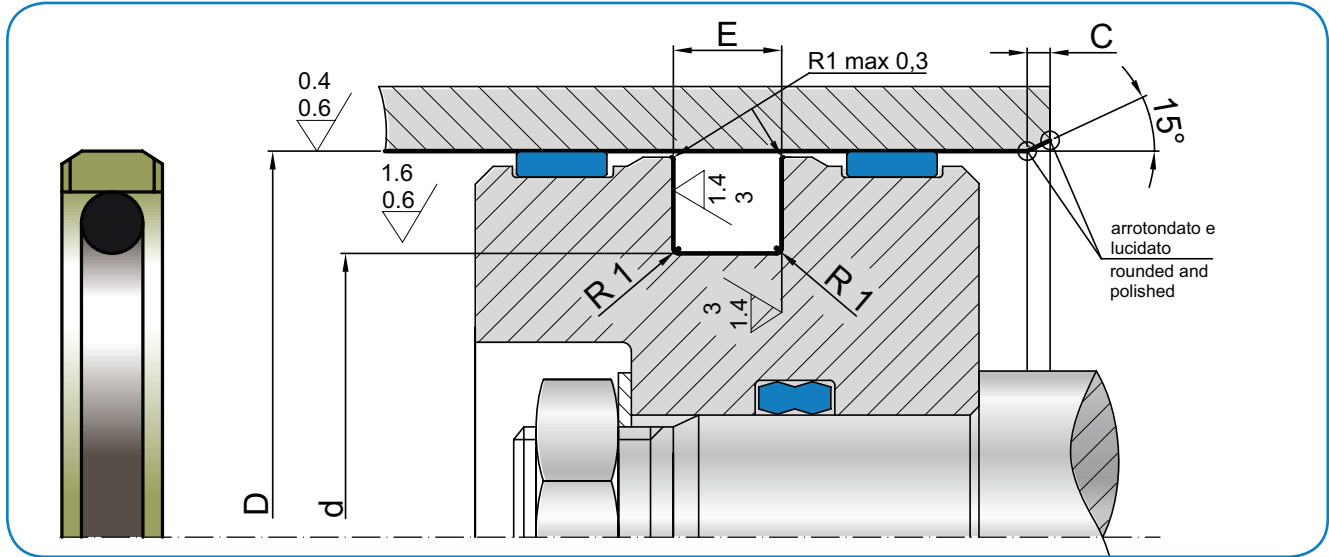
Remark: please contact our technical dept. for further dimensions not included in the catalogue.

OLEODINAMICA
HYDRAULIC



TPD

TENUTA PISTONE - PISTON SEAL

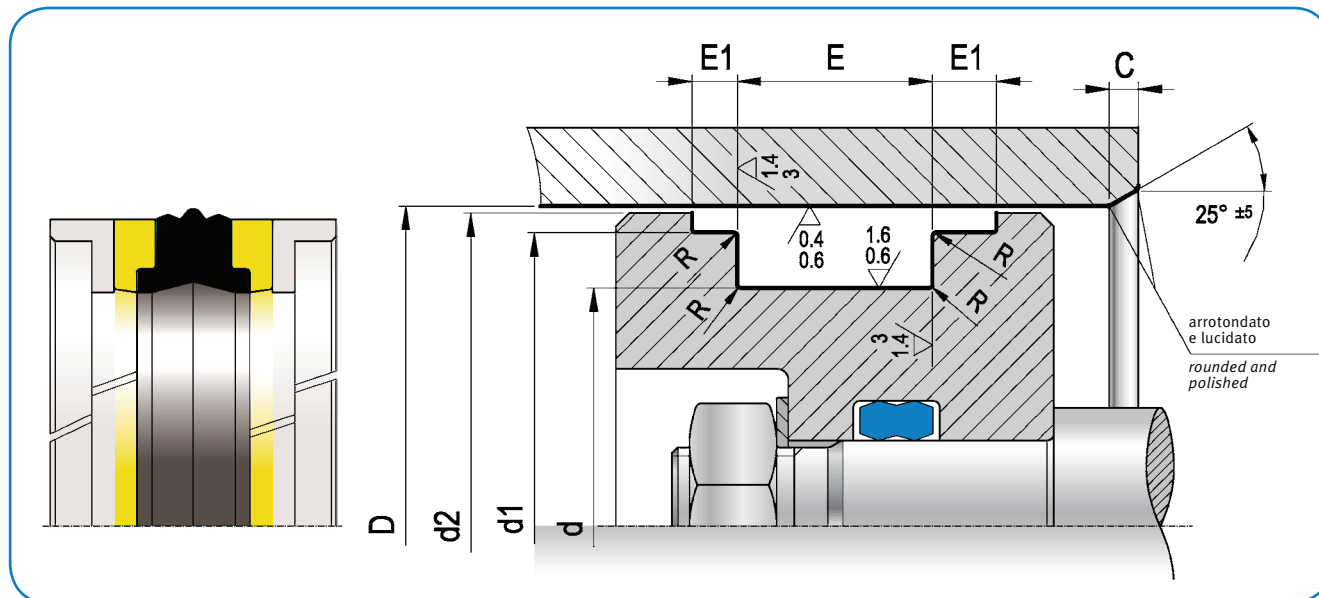
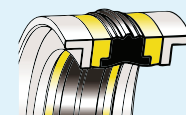


D	d	E	ART / ITEM	€ cad/each
8,0	3,1	2,2	TPD 0080 0031 022 TN	1,928
10,0	5,1	2,2	TPD 0100 0051 022 TN	1,928
12,0	7,1	2,2	TPD 0120 0071 022 TN	2,410
15,0	7,5	3,2	TPD 0150 0075 032 TN	2,523
16,0	8,5	3,2	TPD 0160 0085 032 TN	2,523
18,0	10,5	3,2	TPD 0180 0105 032 TN	2,693
20,0	12,5	3,2	TPD 0200 0125 032 TN	2,977
22,0	14,5	3,2	TPD 0220 0145 032 TN	3,119
24,0	16,5	3,2	TPD 0240 0165 032 TN	3,402
25,0	17,5	3,2	TPD 0250 0175 032 TN	3,402
28,0	20,5	3,2	TPD 0280 0205 032 TN	4,253
30,0	22,5	3,2	TPD 0300 0225 032 TN	4,253
32,0	24,5	3,2	TPD 0320 0245 032 TN	4,536
35,0	27,5	3,2	TPD 0350 0275 032 TN	4,820
39,0	31,5	3,2	TPD 0390 0315 032 TN	5,103
40,0	29,0	4,2	TPD 0400 0290 042 TN	5,103
42,0	31,0	4,2	TPD 0420 0310 042 TN	5,103
45,0	34,0	4,2	TPD 0450 0340 042 TN	5,670
48,0	37,0	4,2	TPD 0480 0370 042 TN	6,237
50,0	39,0	4,2	TPD 0500 0390 042 TN	7,371
52,0	41,0	4,2	TPD 0520 0410 042 TN	8,505
55,0	44,0	4,2	TPD 0550 0440 042 TN	8,505
60,0	49,0	4,2	TPD 0600 0490 042 TN	10,206
63,0	52,0	4,2	TPD 0630 0520 042 TN	10,773
65,0	54,0	4,2	TPD 0650 0540 042 TN	11,340
70,0	59,0	4,2	TPD 0700 0590 042 TN	11,907
75,0	64,0	4,2	TPD 0750 0640 042 TN	13,041
80,0	64,5	6,3	TPD 0800 0645 063 TN	14,175
85,0	69,5	6,3	TPD 0850 0695 063 TN	14,459
90,0	74,5	6,3	TPD 0900 0745 063 TN	15,593

D	d	E	ART / ITEM	€ cad/each
100,0	84,5	6,3	TPD 1000 0845 063 TN	18,428
105,0	89,5	6,3	TPD 1050 0895 063 TN	19,278
110,0	94,5	6,3	TPD 1100 0945 063 TN	19,278
115,0	99,5	6,3	TPD 1150 0995 063 TN	24,381
120,0	104,5	6,3	TPD 1200 1045 063 TN	25,515
125,0	109,5	6,3	TPD 1250 1095 063 TN	26,366
130,0	114,5	6,3	TPD 1300 1145 063 TN	29,768
135,0	114,0	8,1	TPD 1350 1140 081 TN	35,438
140,0	119,0	8,1	TPD 1400 1190 081 TN	36,855
145,0	124,0	8,1	TPD 1450 1240 081 TN	43,092
150,0	129,0	8,1	TPD 1500 1290 081 TN	46,778
160,0	139,0	8,1	TPD 1600 1390 081 TN	49,613
170,0	149,0	8,1	TPD 1700 1490 081 TN	59,535
180,0	159,0	8,1	TPD 1800 1590 081 TN	68,040
190,0	169,0	8,1	TPD 1900 1690 081 TN	70,875
200,0	179,0	8,1	TPD 2000 1790 081 TN	85,050
210,0	189,0	8,1	TPD 2100 1890 081 TN	102,060
220,0	199,0	8,1	TPD 2200 1990 081 TN	110,565
230,0	209,0	8,1	TPD 2300 2090 081 TN	113,400
240,0	219,0	8,1	TPD 2400 2190 081 TN	127,575
250,0	229,0	8,1	TPD 2500 2290 081 TN	144,585
260,0	239,0	8,1	TPD 2600 2390 081 TN	155,925
270,0	249,0	8,1	TPD 2700 2490 081 TN	163,013
280,0	259,0	8,1	TPD 2800 2590 081 TN	170,100
290,0	269,0	8,1	TPD 2900 2690 081 TN	181,440
300,0	279,0	8,1	TPD 3000 2790 081 TN	192,780

KDSA

TENUTA PISTONE COMPATTA - COMPACT PISTON SEAL



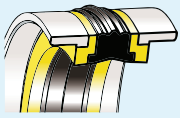
PSA
 PAE
 PSH
 RR
 PSO
 PSQ
 TPD
KDSA
 KDSB
 KDSP
 KDAE

OLEODINAMICA
 HYDRAULIC

D _{H9}	d _{h9}	E _{+0,2}	ART / ITEM	€ cad/each
32,0	24,0	15,5	KDSA 0320 0240 155 CX	2,719
40,0	32,0	15,5	KDSA 0400 0320 155 CX	3,090
50,0	38,0	20,5	KDSA 0500 0380 205 CX	3,544
60,0	48,0	20,5	KDSA 0600 0480 205 CX	4,100
63,0	51,0	20,5	KDSA 0630 0510 205 CX	4,265
70,0	58,0	20,5	KDSA 0700 0580 205 CX	4,646
80,0	66,0	22,5	KDSA 0800 0660 225 CX	5,089
90,0	76,0	22,5	KDSA 0900 0760 225 CX	5,904
100,0	86,0	22,5	KDSA 1000 0860 225 CX	6,604
110,0	96,0	22,5	KDSA 1100 0960 225 CX	7,346
120,0	106,0	22,5	KDSA 1200 1060 225 CX	7,480
125,0	108,0	26,5	KDSA 1250 1080 265 CX	7,893
130,0	113,0	26,5	KDSA 1300 1130 265 CX	8,782
140,0	123,0	26,5	KDSA 1400 1230 265 CX	9,691
150,0	133,0	26,5	KDSA 1500 1330 265 CX	10,631
160,0	143,0	26,5	KDSA 1600 1430 265 CX	11,334

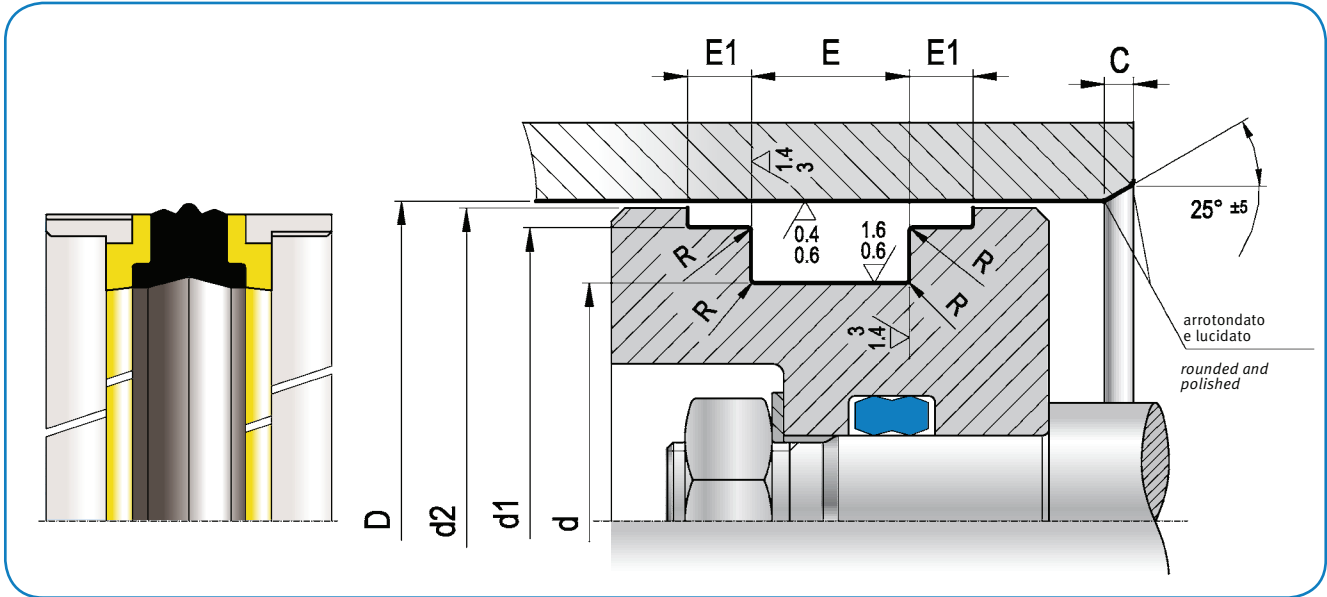
Nota: altre dimensioni non a catalogo a richiesta. Consultare il nostro ufficio tecnico.

Remark: please contact our technical dept. for further dimensions not included in the catalogue.



KDSB

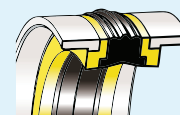
TENUTA PISTONE COMPATTA - COMPACT PISTON SEAL



D_{H9}	d_{H9}	$E_{+0,2}$	$E_{1+0,1}$	ART / ITEM	€ cad/each
20,0	11,0	13,5	2,1	KDSB 0200 0110 135 CX	2,493
22,0	13,0	13,5	2,1	KDSB 0220 0130 135 CX	2,524
25,0	15,0	12,0	4	KDSB 0250 0150 120 CX	2,554
25,0	15,0	12,5	4	KDSB 0250 0150 125 CX	2,554
25,0	15,0	16,4	6,35	KDSB 0250 0150 164 CX	2,554
25,0	16,0	13,5	2,1	KDSB 0250 0160 135 CX	2,554
28,0	19,0	13,5	2,1	KDSB 0280 0190 135 CX	2,606
30,0	21,0	13,5	2,1	KDSB 0300 0210 135 CX	2,606
32,0	22,0	15,5	2,6	KDSB 0320 0220 155 CX	2,719
32,0	22,0	16,4	6,35	KDSB 0320 0220 164 CX	2,719
35,0	25,0	15,5	2,6	KDSB 0350 0250 155 CX	2,905
35,0	25,0	16,4	6,35	KDSB 0350 0250 164 CX	2,905
40,0	24,0	18,4	6,35	KDSB 0400 0240 184 CX	3,090
40,0	26,0	15,5	2,6	KDSB 0400 0260 155 CX	3,090
40,0	30,0	12,5	4	KDSB 0400 0300 125 CX	3,090
40,0	30,0	16,4	6,35	KDSB 0400 0300 164 CX	3,090
42,0	28,0	15,5	2,6	KDSB 0420 0280 155 CX	3,162
45,0	29,0	18,4	6,35	KDSB 0450 0290 184 CX	3,193
45,0	31,0	15,5	2,6	KDSB 0450 0310 155 CX	3,193
45,0	35,0	16,4	6,35	KDSB 0450 0350 164 CX	3,193
50,0	34,0	18,4	6,35	KDSB 0500 0340 184 CX	3,544
50,0	34,0	20,5	3,1	KDSB 0500 0340 205 CX	3,544
55,0	39,0	18,4	6,35	KDSB 0550 0390 184 CX	3,781
55,0	39,0	20,5	3,1	KDSB 0550 0390 205 CX	3,781
56,0	40,0	20,5	3,1	KDSB 0560 0400 205 CX	3,781
60,0	44,0	18,4	6,35	KDSB 0600 0440 184 CX	4,100
60,0	44,0	20,5	3,1	KDSB 0600 0440 205 CX	4,100

KDSB

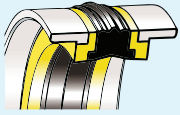
TENUTA PISTONE COMPATTA - COMPACT PISTON SEAL



D _{H9}	d _{H9}	E _{+0,2}	E _{1+0,1}	ART / ITEM	€ cad/each
63,0	47,0	18,4	6,35	KDSB 0630 0470 184 CX	4,265
63,0	47,0	19,4	6,35	KDSB 0630 0470 194 CX	4,265
63,0	47,0	20,5	3,1	KDSB 0630 0470 205 CX	4,265
65,0	49,0	20,5	3,1	KDSB 0650 0490 205 CX	4,379
65,0	50,0	18,4	6,35	KDSB 0650 0500 184 CX	4,379
70,0	50,0	22,4	6,35	KDSB 0700 0500 224 CX	4,646
70,0	54,0	20,5	3,1	KDSB 0700 0540 205 CX	4,646
75,0	55,0	22,4	6,35	KDSB 0750 0550 224 CX	4,770
75,0	59,0	20,5	3,1	KDSB 0750 0590 205 CX	5,027
80,0	60,0	22,4	6,35	KDSB 0800 0600 224 CX	5,027
80,0	62,0	22,5	3,6	KDSB 0800 0620 225 CX	5,089
85,0	65,0	22,4	6,35	KDSB 0850 0650 224 CX	5,419
90,0	70,0	22,4	6,35	KDSB 0900 0700 224 CX	5,904
90,0	72,0	22,5	3,6	KDSB 0900 0720 225 CX	5,904
95,0	75,0	22,4	6,35	KDSB 0950 0750 224 CX	6,100
100,0	75,0	22,4	6,35	KDSB 1000 0750 224 CX	6,604
100,0	82,0	22,5	3,6	KDSB 1000 0820 225 CX	6,604
105,0	80,0	22,4	6,35	KDSB 1050 0800 224 CX	6,769
110,0	85,0	22,4	6,35	KDSB 1100 0850 224 CX	7,346
110,0	92,0	22,5	3,6	KDSB 1100 0920 225 CX	7,346
115,0	90,0	22,4	6,35	KDSB 1150 0900 224 CX	7,408
115,0	97,0	22,5	3,6	KDSB 1150 0970 225 CX	7,408
120,0	95,0	22,4	6,35	KDSB 1200 0950 224 CX	7,665
125,0	100,0	25,4	6,35	KDSB 1250 1000 254 CX	7,893
125,0	103,0	26,5	5,1	KDSB 1250 1030 265 CX	7,893
130,0	105,0	25,4	9,5	KDSB 1300 1050 254 CX	8,782
130,0	105,0	25,4	6,35	KDSB1 1300 1050 254 CX	8,782
135,0	110,0	25,4	9,5	KDSB 1350 1100 254 CX	9,340
135,0	110,0	25,4	6,35	KDSB1 1350 1100 254 CX	9,691
140,0	115,0	25,4	9,5	KDSB 1400 1150 254 CX	9,691
140,0	115,0	25,4	6,35	KDSB1 1400 1150 254 CX	9,691
140,0	118,0	26,5	5,1	KDSB 1400 1180 265 CX	9,691
145,0	120,0	25,4	9,5	KDSB 1450 1200 254 CX	10,073
145,0	120,0	25,4	6,35	KDSB1 1450 1200 254 CX	10,073
150,0	125,0	25,4	9,5	KDSB 1500 1250 254 CX	10,311
150,0	125,0	25,4	6,35	KDSB1 1500 1250 254 CX	10,311
150,0	128,0	26,5	5,1	KDSB 1500 1280 265 CX	10,632
155,0	130,0	25,4	9,5	KDSB 1550 1300 254 CX	10,952
155,0	130,0	25,4	6,35	KDSB1 1550 1300 254 CX	10,952
160,0	130,0	25,4	6,35	KDSB1 1600 1300 254 CX	11,954
160,0	130,0	25,4	9,5	KDSB 1600 1300 254 CX	11,954
160,0	135,0	25,4	9,5	KDSB 1600 1350 254 CX	11,499
160,0	138,0	26,5	5,1	KDSB 1600 1380 265 CX	11,499
165,0	140,0	25,4	9,5	KDSB 1650 1400 254 CX	11,654
170,0	145,0	25,4	12,7	KDSB 1700 1450 254 CX	12,275

PSA
PAE
PSH
RR
PSO
PSQ
TPD
KDSA
KDSB
KDSP
KDAE

OLEODINAMICA
HYDRAULIC



KDSB

TENUTA PISTONE COMPATTA - COMPACT PISTON SEAL

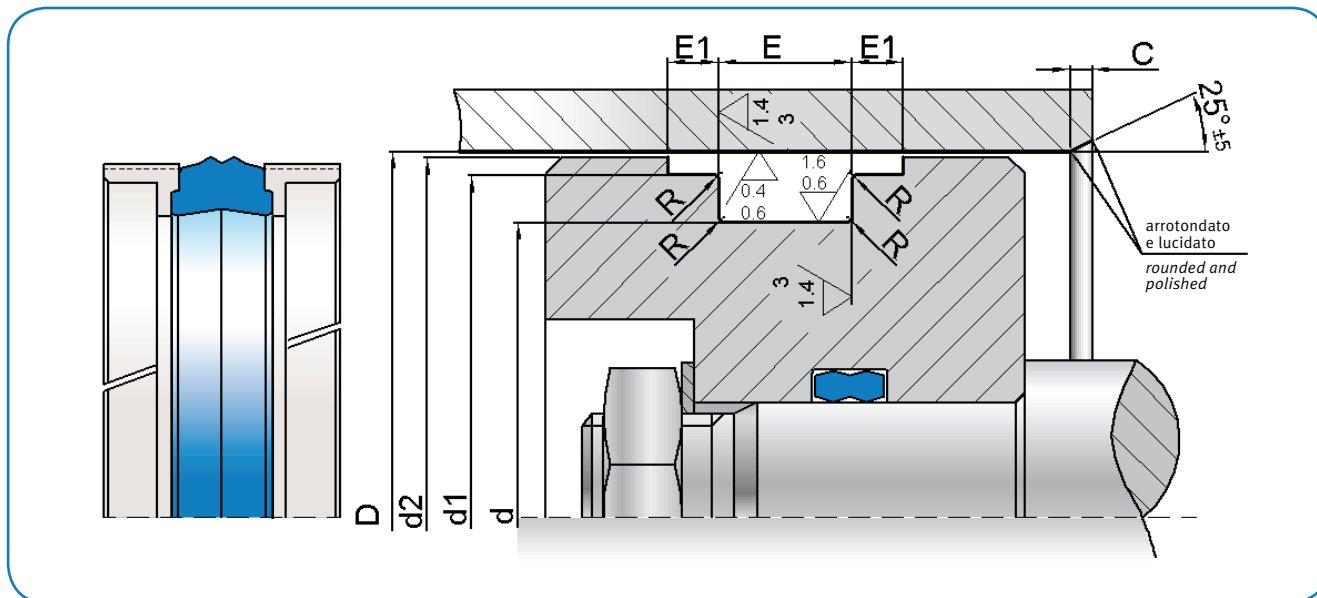
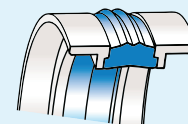
D _{H9}	d _{h9}	E _{+0,2}	E _{1+0,1}	ART / ITEM	€ cad/each
170,0	148,0	26,5	5,1	KDSB 1700 1480 265 CX	11,954
175,0	150,0	25,4	12,7	KDSB 1750 1500 254 CX	12,532
180,0	150,0	35,4	6,35	KDSB 1800 1500 354 CX	14,723
180,0	155,0	25,4	12,7	KDSB 1800 1550 254 CX	12,760
185,0	160,0	25,4	12,7	KDSB 1850 1600 254 CX	13,245
190,0	165,0	25,4	12,7	KDSB 1900 1650 254 CX	13,793
195,0	170,0	25,4	12,7	KDSB 1950 1700 254 CX	14,920
200,0	175,0	25,4	12,7	KDSB 2000 1750 254 CX	17,378
210,0	185,0	25,4	12,7	KDSB 2100 1850 254 CX	17,926
220,0	190,0	35,4	6,35	KDSB 2200 1900 354 CX	22,374
220,0	195,0	25,4	12,7	KDSB 2200 1950 254 CX	24,205
230,0	205,0	25,4	12,7	KDSB 2300 2050 254 CX	26,450
240,0	215,0	25,4	12,7	KDSB 2400 2150 254 CX	27,846
250,0	220,0	35,4	6,35	KDSB 2500 2200 354 CX	32,720
250,0	225,0	25,4	12,7	KDSB 2500 2250 254 CX	30,660

Nota: altre dimensioni non a catalogo a richiesta. Consultare il nostro ufficio tecnico.

Remark: please contact our technical dept. for further dimensions not included in the catalogue.

KDSP

TENUTA PISTONE COMPATTA - COMPACT PISTON SEAL



PSA
 PAE
 PSH
 RR
 PSO
 PSQ
 TPD
 KDSA
 KDSB
KDSP
 KDAE

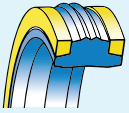
OLEODINAMICA
 HYDRAULIC

	D _{H9}	d _{H9}	E _{+0,2}	ART / ITEM	€ cad/each
*	25,0	15,0	12,5	KDSP 0250 0150 125 CX	2,304
*	25,0	17,0	10,0	KDSP 0250 0170 100 CX	2,304
*	32,0	22,0	12,5	KDSP 0320 0220 125 CX	2,447
*	32,0	24,0	10,0	KDSP 0320 0240 100 CX	2,447
*	40,0	30,0	12,5	KDSP 0400 0300 125 CX	2,781
*	40,0	32,0	10,0	KDSP 0400 0320 100 CX	3,033
*	50,0	35,0	20,0	KDSP 0500 0350 200 CX	3,152
*	50,0	40,0	12,5	KDSP 0500 0400 125 CX	3,402
*	55,0	45,0	12,5	KDSP 0550 0450 125 CX	3,689
*	63,0	48,0	20,0	KDSP 0630 0480 200 CX	3,840
*	63,0	53,0	12,5	KDSP 0630 0530 125 CX	4,181
*	70,0	55,0	20,0	KDSP 0700 0550 200 CX	4,431
	70,0	60,0	12,5	KDSP 0700 0600 125 CX	4,273
*	80,0	65,0	20,0	KDSP 0800 0650 200 CX	4,583
	80,0	70,0	12,5	KDSP 0800 0700 125 CX	4,461
*	90,0	75,0	20,0	KDSP 0900 0750 200 CX	5,497
	90,0	80,0	12,5	KDSP 0900 0800 125 CX	5,358
*	100,0	85,0	20,0	KDSP 1000 0850 200 CX	5,961
	100,0	90,0	12,5	KDSP 1000 0900 125 CX	5,932

* ISO 6547

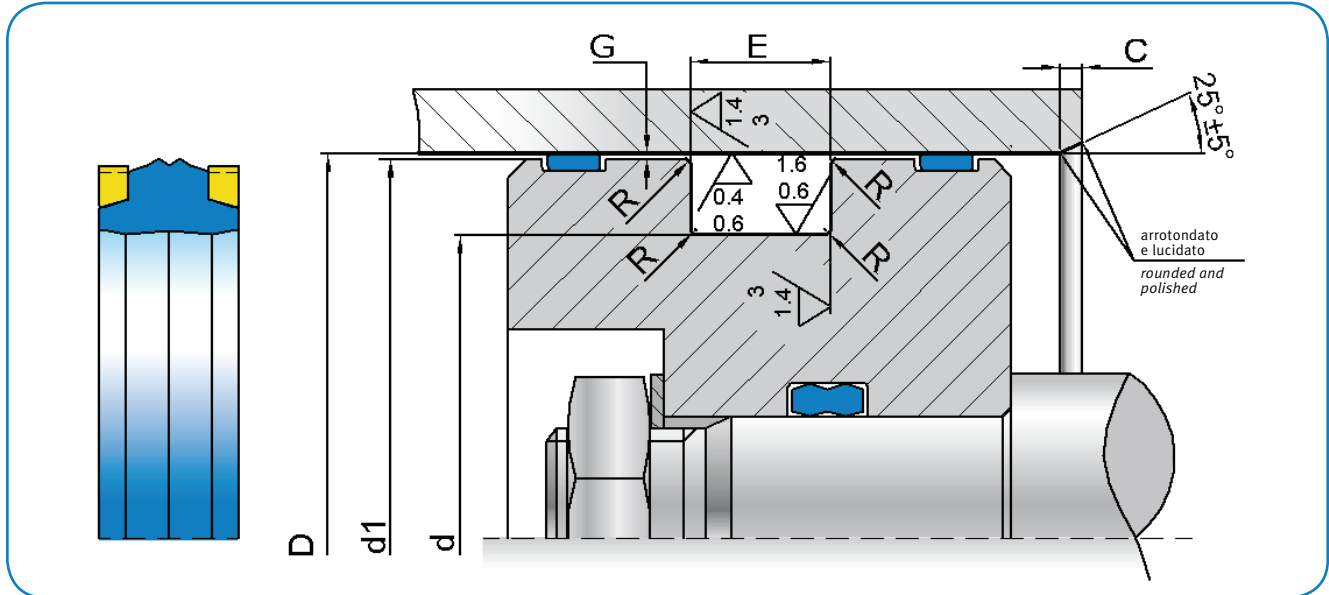
Nota: altre dimensioni non a catalogo a richiesta. Consultare il nostro ufficio tecnico.

Remark: please contact our technical dept. for further dimensions not included in the catalogue.



KDAE

TENUTA PISTONE COMPATTA - COMPACT PISTON SEAL



D _{H9}	d _{h9}	E _{+0,2}	ART / ITEM	€ cad/ each
50,0	36,0	9,0	KDAE 0500 0360 090 CR	3,152
50,0	38,0	10,0	KDAE 0500 0380 100 CR	3,402
55,0	41,0	9,0	KDAE 0550 0410 090 CR	3,402
60,0	46,0	9,0	KDAE 0600 0460 090 CR	3,689
63,0	48,0	11,0	KDAE 0630 0480 110 CR	3,840
63,0	51,0	10,0	KDAE 0630 0510 100 CR	3,840
65,0	50,0	11,0	KDAE 0650 0500 110 CR	3,942
70,0	53,0	14,0	KDAE 0700 0530 140 CR	4,181
70,0	55,0	11,0	KDAE 0700 0550 110 CR	4,181
75,0	60,0	11,0	KDAE 0750 0600 110 CR	4,527
80,0	63,0	14,0	KDAE 0800 0630 140 CR	4,583
80,0	65,0	11,0	KDAE 0800 0650 110 CR	4,583
85,0	70,0	11,0	KDAE 0850 0700 110 CR	5,238
90,0	73,0	14,0	KDAE 0900 0730 140 CR	5,314
90,0	75,0	11,0	KDAE 0900 0750 110 CR	5,490

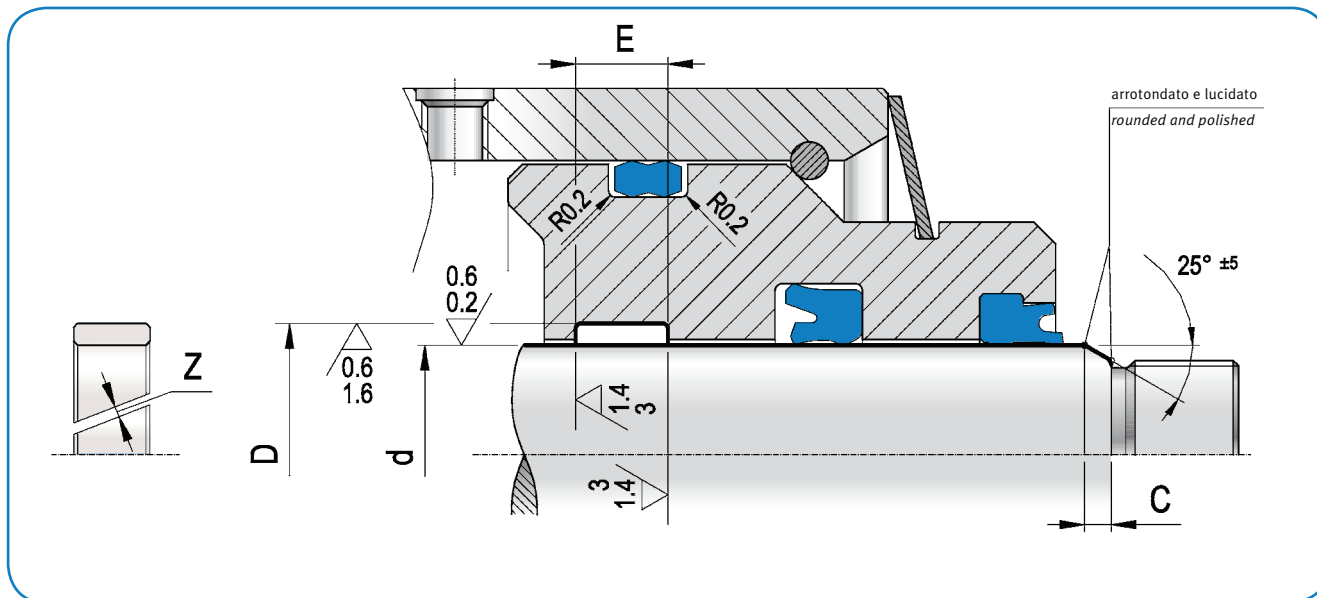
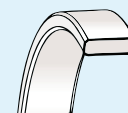
D _{H9}	d _{h9}	E _{+0,2}	ART / ITEM	€ cad/ each
95,0	80,0	11,0	KDAE 0950 0800 110 CR	5,523
100,0	83,0	14,0	KDAE 1000 0830 140 CR	5,943
100,0	85,0	12,5	KDAE 1000 0850 125 CR	5,943
105,0	88,0	14,0	KDAE 1050 0880 140 CR	6,094
105,0	90,0	12,5	KDAE 1050 0900 125 CR	6,094
110,0	93,0	14,0	KDAE 1100 0930 140 CR	6,616
110,0	95,0	12,5	KDAE 1100 0950 125 CR	6,616
115,0	98,0	14,0	KDAE 1150 0980 140 CR	6,667
115,0	100,0	12,5	KDAE 1150 1000 125 CR	6,667
120,0	103,0	14,0	KDAE 1200 1030 140 CR	7,027
120,0	105,0	12,5	KDAE 1200 1050 125 CR	7,027
125,0	108,0	14,0	KDAE 1250 1080 140 CR	7,105

Nota: altre dimensioni non a catalogo a richiesta. Consultare il nostro ufficio tecnico.

Remark: please contact our technical dept. for further dimensions not included in the catalogue.

HIS

ANELLI GUIDA INTERNO - INTERNAL WEAR RING



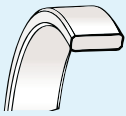
HIS
HES
NG
HPW
I-E

diametri d-D diameters	0 - 50	51 - 100	101 - 150	151 - 300
z. mm ≥	2,0	2,5	3,0	3,5

d _{h9}	D ⁻⁰ _{+0,05}	E _{+0,2}	ART / ITEM	€ cad/ each
12,0	16,0	9,6	HIS 0120 0160 096 R0	0,560
14,0	18,0	9,6	HIS 0140 0180 096 R0	0,560
16,0	20,0	9,6	HIS 0160 0200 096 R0	0,591
18,0	22,0	9,6	HIS 0180 0220 096 R0	0,591
20,0	24,0	9,6	HIS 0200 0240 096 R0	0,591
20,0	25,0	5,6	HIS 0200 0250 056 R0	0,591
20,0	25,0	9,7	HIS 0200 0250 097 R0	0,617
22,0	26,0	9,6	HIS 0220 0260 096 R0	0,617
22,0	27,0	5,6	HIS 0220 0270 056 R0	0,591
22,0	27,0	9,7	HIS 0220 0270 097 R0	0,617
25,0	29,0	9,6	HIS 0250 0290 096 R0	0,617
25,0	30,0	5,6	HIS 0250 0300 056 R0	0,591
25,0	30,0	9,7	HIS 0250 0300 097 R0	0,617
26,0	30,0	9,6	HIS 0260 0300 096 R0	0,617
27,0	32,0	5,6	HIS 0270 0320 056 R0	0,591
27,0	32,0	9,7	HIS 0270 0320 097 R0	0,617
28,0	32,0	9,6	HIS 0280 0320 096 R0	0,617
28,0	33,0	5,6	HIS 0280 0330 056 R0	0,591
28,0	33,0	9,7	HIS 0280 0330 097 R0	0,617
30,0	34,0	9,6	HIS 0300 0340 096 R0	0,617
30,0	35,0	5,6	HIS 0300 0350 056 R0	0,591
30,0	35,0	9,7	HIS 0300 0350 097 R0	0,617
32,0	36,0	9,6	HIS 0320 0360 096 R0	0,617
32,0	37,0	5,6	HIS 0320 0370 056 R0	0,648

d _{h9}	D ⁻⁰ _{+0,05}	E _{+0,2}	ART / ITEM	€ cad/ each
32,0	37,0	9,7	HIS 0320 0370 097 R0	0,617
35,0	39,0	9,6	HIS 0350 0390 096 R0	0,713
35,0	40,0	5,6	HIS 0350 0400 056 R0	0,696
35,0	40,0	9,7	HIS 0350 0400 097 R0	0,713
36,0	40,0	9,6	HIS 0360 0400 096 R0	0,713
36,0	41,0	5,6	HIS 0360 0410 056 R0	0,696
36,0	41,0	9,7	HIS 0360 0410 097 R0	0,713
38,0	42,0	9,6	HIS 0380 0420 096 R0	0,713
40,0	44,0	9,6	HIS 0400 0440 096 R0	0,713
40,0	45,0	5,6	HIS 0400 0450 056 R0	0,696
40,0	45,0	9,7	HIS 0400 0450 097 R0	0,722
40,0	45,0	15,0	HIS 0400 0450 150 R0	0,749
42,0	46,0	9,6	HIS 0420 0460 096 R0	0,722
43,0	48,0	5,6	HIS 0430 0480 056 R0	0,704
45,0	50,0	5,6	HIS 0450 0500 056 R0	0,713
45,0	50,0	9,7	HIS 0450 0500 097 R0	0,722
45,0	50,0	15,0	HIS 0450 0500 150 R0	0,759
45,0	51,0	9,6	HIS 0450 0510 096 R0	0,722
46,0	52,0	9,6	HIS 0460 0520 096 R0	0,722
47,0	52,0	5,6	HIS 0470 0520 056 R0	0,713
47,0	52,0	9,7	HIS 0470 0520 097 R0	0,722
48,0	54,0	9,6	HIS 0480 0540 096 R0	0,722
50,0	55,0	5,6	HIS 0500 0550 056 R0	0,738
50,0	55,0	9,7	HIS 0500 0550 097 R0	0,753

OLEODINAMICA
HYDRAULIC



HIS

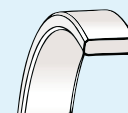
ANELLI GUIDA INTERNO - INTERNAL WEAR RING

d _{hg}	D _{-0,+0,05}	E _{+0,+2}	ART / ITEM	€ cad/ each
50,0	55,0	15,0	HIS 0500 0550 150 R0	0,777
50,0	56,0	9,6	HIS 0500 0560 096 R0	0,753
55,0	60,0	5,6	HIS 0550 0600 056 R0	0,753
55,0	60,0	9,7	HIS 0550 0600 097 R0	0,777
55,0	60,0	15,0	HIS 0550 0600 150 R0	0,792
55,0	61,0	9,6	HIS 0550 0610 096 R0	0,777
56,0	61,0	5,6	HIS 0560 0610 056 R0	0,753
56,0	61,0	9,7	HIS 0560 0610 097 R0	0,777
56,0	62,0	12,8	HIS 0560 0620 128 R0	0,827
58,0	63,0	5,6	HIS 0580 0630 056 R0	0,777
58,0	63,0	9,7	HIS 0580 0630 097 R0	0,792
60,0	65,0	5,6	HIS 0600 0650 056 R0	0,786
60,0	65,0	9,7	HIS 0600 0650 097 R0	0,827
60,0	65,0	15,0	HIS 0600 0650 150 R0	0,895
60,0	66,0	12,8	HIS 0600 0660 128 R0	0,895
63,0	68,0	5,6	HIS 0630 0680 056 R0	0,786
63,0	68,0	9,7	HIS 0630 0680 097 R0	0,827
63,0	69,0	12,8	HIS 0630 0690 128 R0	0,895
65,0	70,0	5,6	HIS 0650 0700 056 R0	0,786
65,0	70,0	9,7	HIS 0650 0700 097 R0	0,827
65,0	70,0	15,0	HIS 0650 0700 150 R0	0,915
65,0	71,0	12,8	HIS 0650 0710 128 R0	0,915
67,0	72,0	5,6	HIS 0670 0720 056 R0	0,827
70,0	75,0	5,6	HIS 0700 0750 056 R0	0,871
70,0	75,0	9,7	HIS 0700 0750 097 R0	0,887
70,0	75,0	15,0	HIS 0700 0750 150 R0	0,915
70,0	76,0	12,8	HIS 0700 0760 128 R0	0,915
72,0	78,0	12,8	HIS 0720 0780 128 R0	0,915
75,0	80,0	5,6	HIS 0750 0800 056 R0	0,887
75,0	80,0	9,7	HIS 0750 0800 097 R0	0,905
75,0	80,0	15,0	HIS 0750 0800 150 R0	0,939
75,0	81,0	12,8	HIS 0750 0810 128 R0	0,950
76,0	82,0	12,8	HIS 0760 0820 128 R0	0,950
80,0	85,0	5,6	HIS 0800 0850 056 R0	0,887
80,0	85,0	9,7	HIS 0800 0850 097 R0	0,905
80,0	85,0	15,0	HIS 0800 0850 150 R0	0,950
80,0	86,0	12,8	HIS 0800 0860 128 R0	0,950
85,0	90,0	5,6	HIS 0850 0900 056 R0	0,915
85,0	90,0	9,7	HIS 0850 0900 097 R0	0,935
85,0	90,0	15,0	HIS 0850 0900 150 R0	1,084
85,0	91,0	12,8	HIS 0850 0910 128 R0	1,148
90,0	95,0	5,6	HIS 0900 0950 056 R0	1,032
90,0	95,0	9,7	HIS 0900 0950 097 R0	1,085
90,0	95,0	15,0	HIS 0900 0950 150 R0	1,148
90,0	96,0	12,8	HIS 0900 0960 128 R0	1,248

d _{hg}	D _{-0,+0,05}	E _{+0,+2}	ART / ITEM	€ cad/ each
92,0	97,0	5,6	HIS 0920 0970 056 R0	1,084
95,0	100,0	5,6	HIS 0950 1000 056 R0	1,114
95,0	100,0	9,7	HIS 0950 1000 097 R0	1,163
95,0	100,0	15,0	HIS 0950 1000 150 R0	1,248
95,0	100,0	20,0	HIS 0950 1000 200 R0	1,310
95,0	100,0	25,0	HIS 0950 1000 250 R0	1,376
95,0	101,0	12,8	HIS 0950 1010 128 R0	1,354
100,0	105,0	5,6	HIS 1000 1050 056 R0	1,125
100,0	105,0	9,7	HIS 1000 1050 097 R0	1,158
100,0	105,0	15,0	HIS 1000 1050 150 R0	1,354
100,0	105,0	20,0	HIS 1000 1050 200 R0	1,422
100,0	105,0	25,0	HIS 1000 1050 250 R0	1,493
100,0	106,0	12,8	HIS 1000 1060 128 R0	1,354
105,0	110,0	9,7	HIS 1050 1100 097 R0	1,213
105,0	110,0	15,0	HIS 1050 1100 150 R0	1,441
105,0	110,0	20,0	HIS 1050 1100 200 R0	1,514
105,0	110,0	25,0	HIS 1050 1100 250 R0	1,590
105,0	111,0	12,8	HIS 1050 1110 128 R0	1,441
110,0	115,0	9,7	HIS 1100 1150 097 R0	1,213
110,0	115,0	15,0	HIS 1100 1150 150 R0	1,441
110,0	115,0	20,0	HIS 1100 1150 200 R0	1,514
110,0	115,0	25,0	HIS 1100 1150 250 R0	1,590
110,0	116,0	12,8	HIS 1100 1160 128 R0	1,471
115,0	120,0	9,7	HIS 1150 1200 097 R0	1,223
115,0	120,0	15,0	HIS 1150 1200 150 R0	1,471
115,0	120,0	20,0	HIS 1150 1200 200 R0	1,545
115,0	120,0	25,0	HIS 1150 1200 250 R0	1,623
115,0	121,0	12,8	HIS 1150 1210 128 R0	1,521
120,0	125,0	9,7	HIS 1200 1250 097 R0	1,223
120,0	125,0	15,0	HIS 1200 1250 150 R0	1,521
120,0	125,0	20,0	HIS 1200 1250 200 R0	1,597
120,0	125,0	25,0	HIS 1200 1250 250 R0	1,678
120,0	126,0	12,8	HIS 1200 1260 128 R0	1,521
125,0	130,0	15,0	HIS 1250 1300 150 R0	1,521
125,0	130,0	20,0	HIS 1250 1300 200 R0	1,597
125,0	130,0	25,0	HIS 1250 1300 250 R0	1,678
125,0	131,0	12,8	HIS 1250 1310 128 R0	1,521
130,0	135,0	15,0	HIS 1300 1350 150 R0	1,551
130,0	135,0	20,0	HIS 1300 1350 200 R0	1,628
130,0	135,0	25,0	HIS 1300 1350 250 R0	1,710
130,0	136,0	12,8	HIS 1300 1360 128 R0	1,551
135,0	140,0	15,0	HIS 1350 1400 150 R0	1,593
135,0	140,0	20,0	HIS 1350 1400 200 R0	1,673
135,0	140,0	25,0	HIS 1350 1400 250 R0	1,757
135,0	141,0	12,8	HIS 1350 1410 128 R0	1,593

HIS

ANELLI GUIDA INTERNO - INTERNAL WEAR RING

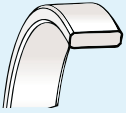


d _{h9}	D _{-0 +0,05}	E _{+0,2}	ART / ITEM	€ cad/ each
140,0	145,0	15,0	HIS 1400 1450 150 RO	1,678
140,0	145,0	20,0	HIS 1400 1450 200 RO	1,762
140,0	145,0	25,0	HIS 1400 1450 250 RO	1,850
140,0	146,0	12,8	HIS 1400 1460 128 RO	1,678
145,0	150,0	15,0	HIS 1450 1500 150 RO	1,906
145,0	150,0	20,0	HIS 1450 1500 200 RO	2,001
145,0	150,0	25,0	HIS 1450 1500 250 RO	2,101
145,0	151,0	12,8	HIS 1450 1510 128 RO	2,001
150,0	156,0	12,8	HIS 1500 1560 128 RO	2,102
155,0	161,0	19,2	HIS 1550 1610 192 RO	2,506
160,0	166,0	19,2	HIS 1600 1660 192 RO	2,820
165,0	171,0	19,2	HIS 1650 1710 192 RO	2,847
170,0	176,0	19,2	HIS 1700 1760 192 RO	2,970
175,0	181,0	19,2	HIS 1750 1810 192 RO	2,970
180,0	186,0	19,2	HIS 1800 1860 192 RO	3,041

d _{h9}	D _{-0 +0,05}	E _{+0,2}	ART / ITEM	€ cad/ each
185,0	191,0	19,2	HIS 1850 1910 192 RO	3,257
190,0	196,0	19,2	HIS 1900 1960 192 RO	3,325
195,0	201,0	19,2	HIS 1950 2100 192 RO	3,393
200,0	206,0	19,2	HIS 2000 2060 192 RO	3,423
205,0	211,0	19,2	HIS 2050 2110 192 RO	3,544
210,0	216,0	19,2	HIS 2100 2160 192 RO	3,563
215,0	221,0	19,2	HIS 2150 2210 192 RO	3,680
220,0	226,0	19,2	HIS 2200 2260 192 RO	3,789
225,0	231,0	19,2	HIS 2250 2310 192 RO	4,088
230,0	236,0	19,2	HIS 2300 2360 192 RO	4,390
235,0	241,0	19,2	HIS 2350 2410 192 RO	4,829
240,0	246,0	19,2	HIS 2400 2460 192 RO	5,070
245,0	251,0	19,2	HIS 2450 2510 192 RO	5,572

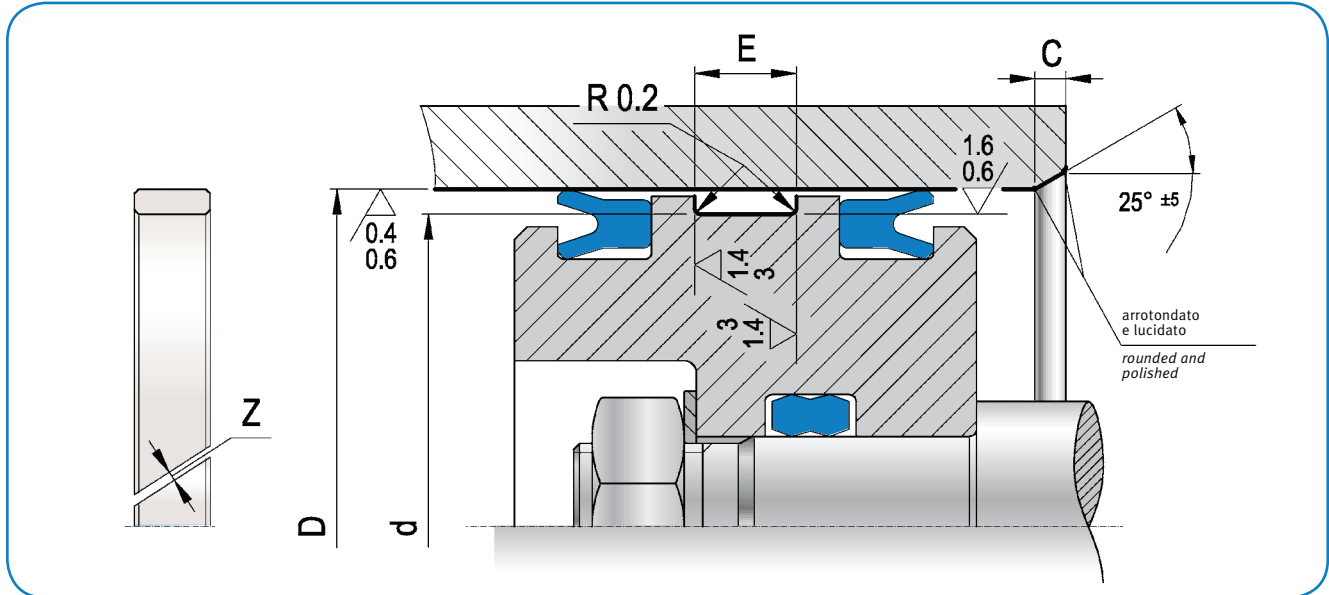
HIS
HES
NG
HPW
I-E

OLEODINAMICA
HYDRAULIC



HES

ANELLI GUIDA ESTERNO - EXTERNAL WEAR RING



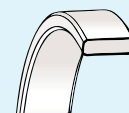
diametri d-D diameters	0 - 50	51 - 100	101 - 150	151 - 300
z. mm ≥	2,0	2,5	3,0	3,5

D H9	d +0 -0,05	E +0,2	ART / ITEM	€ cad/ each
16,0	12,0	9,6	HES 0160 0120 096 R0	0,560
18,0	14,0	9,6	HES 0180 0140 096 R0	0,560
20,0	16,0	9,6	HES 0200 0160 096 R0	0,591
22,0	18,0	9,6	HES 0220 0180 096 R0	0,591
24,0	20,0	9,6	HES 0240 0200 096 R0	0,591
25,0	20,0	5,6	HES 0250 0200 056 R0	0,591
25,0	20,0	9,7	HES 0250 0200 097 R0	0,617
25,0	21,0	9,6	HES 0250 0210 096 R0	0,617
27,0	22,0	5,6	HES 0270 0220 056 R0	0,591
27,0	22,0	9,7	HES 0270 0220 097 R0	0,617
28,0	24,0	9,6	HES 0280 0240 096 R0	0,617
30,0	25,0	5,6	HES 0300 0250 056 R0	0,591
30,0	25,0	9,7	HES 0300 0250 097 R0	0,617
30,0	26,0	9,6	HES 0300 0260 096 R0	0,617
32,0	27,0	5,6	HES 0320 0270 056 R0	0,591
32,0	27,0	9,7	HES 0320 0270 097 R0	0,617
32,0	28,0	9,6	HES 0320 0280 096 R0	0,617
33,0	28,0	5,6	HES 0330 0280 056 R0	0,591
33,0	28,0	9,7	HES 0330 0280 097 R0	0,617
34,0	30,0	9,6	HES 0340 0300 096 R0	0,617
35,0	30,0	5,6	HES 0350 0300 056 R0	0,591
35,0	30,0	9,7	HES 0350 0300 097 R0	0,617
35,0	31,0	9,6	HES 0350 0310 096 R0	0,617
36,0	32,0	9,6	HES 0360 0320 096 R0	0,617

D H9	d +0 -0,05	E +0,2	ART / ITEM	€ cad/ each
37,0	32,0	5,6	HES 0370 0320 056 R0	0,648
37,0	32,0	9,7	HES 0370 0320 097 R0	0,617
40,0	35,0	5,6	HES 0400 0350 056 R0	0,696
40,0	35,0	9,7	HES 0400 0350 097 R0	0,713
40,0	36,0	9,6	HES 0400 0360 096 R0	0,713
41,0	36,0	5,6	HES 0410 0360 056 R0	0,696
41,0	36,0	9,7	HES 0410 0360 097 R0	0,713
45,0	40,0	5,6	HES 0450 0400 056 R0	0,696
45,0	40,0	9,7	HES 0450 0400 097 R0	0,722
45,0	40,0	15,0	HES 0450 0400 150 R0	0,749
45,0	41,0	9,6	HES 0450 0410 096 R0	0,722
48,0	43,0	5,6	HES 0480 0430 056 R0	0,713
50,0	44,0	9,6	HES 0500 0440 096 R0	0,722
50,0	45,0	5,6	HES 0500 0450 056 R0	0,713
50,0	45,0	9,7	HES 0500 0450 097 R0	0,722
50,0	45,0	15,0	HES 0500 0450 150 R0	0,759
52,0	47,0	5,6	HES 0520 0470 056 R0	0,713
52,0	47,0	9,7	HES 0520 0470 097 R0	0,722
55,0	49,0	12,8	HES 0550 0490 128 R0	0,777
55,0	50,0	5,6	HES 0550 0500 056 R0	0,738
55,0	50,0	9,7	HES 0550 0500 097 R0	0,753
55,0	50,0	15,0	HES 0550 0500 150 R0	0,777
60,0	54,0	12,8	HES 0600 0540 128 R0	0,792
60,0	55,0	5,6	HES 0600 0550 056 R0	0,753

HES

ANELLI GUIDA ESTERNO - EXTERNAL WEAR RING

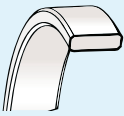


D H ₉	d + o -0,05	E +0,2	ART / ITEM	€ cad/ each
60,0	55,0	9,7	HES 0600 0550 097 RO	0,777
60,0	55,0	15,0	HES 0600 0550 150 RO	0,792
61,0	56,0	5,6	HES 0610 0560 056 RO	0,753
61,0	56,0	9,7	HES 0610 0560 097 RO	0,777
63,0	57,0	12,8	HES 0630 0570 128 RO	0,827
63,0	58,0	5,6	HES 0630 0580 056 RO	0,777
63,0	58,0	9,7	HES 0630 0580 097 RO	0,827
65,0	59,0	12,8	HES 0650 0590 128 RO	0,827
65,0	60,0	5,6	HES 0650 0600 056 RO	0,786
65,0	60,0	9,7	HES 0650 0600 097 RO	0,827
65,0	60,0	15,0	HES 0650 0600 150 RO	0,895
68,0	63,0	5,6	HES 0680 0630 056 RO	0,786
68,0	63,0	9,7	HES 0680 0630 097 RO	0,818
70,0	64,0	12,8	HES 0700 0640 128 RO	0,893
70,0	65,0	5,6	HES 0700 0650 056 RO	0,818
70,0	65,0	9,7	HES 0700 0650 097 RO	0,848
70,0	65,0	15,0	HES 0700 0650 150 RO	0,893
72,0	67,0	5,6	HES 0720 0670 056 RO	0,818
75,0	69,0	12,8	HES 0750 0690 128 RO	0,915
75,0	70,0	5,6	HES 0750 0700 056 RO	0,871
75,0	70,0	9,7	HES 0750 0700 097 RO	0,889
75,0	70,0	15,0	HES 0750 0700 150 RO	0,915
80,0	74,0	12,8	HES 0800 0740 128 RO	0,939
80,0	75,0	5,6	HES 0800 0750 056 RO	0,887
80,0	75,0	9,7	HES 0800 0750 097 RO	0,905
80,0	75,0	15,0	HES 0800 0750 150 RO	0,939
85,0	79,0	12,8	HES 0850 0790 128 RO	0,950
85,0	80,0	5,6	HES 0850 0800 056 RO	0,887
85,0	80,0	9,7	HES 0850 0800 097 RO	0,905
85,0	80,0	15,0	HES 0850 0800 150 RO	0,950
90,0	84,0	12,8	HES 0900 0840 128 RO	1,084
90,0	85,0	5,6	HES 0900 0850 056 RO	0,915
90,0	85,0	9,7	HES 0900 0850 097 RO	0,935
90,0	85,0	15,0	HES 0900 0850 150 RO	1,084
95,0	89,0	12,8	HES 0950 0890 128 RO	1,148
95,0	90,0	5,6	HES 0950 0900 056 RO	1,032
95,0	90,0	9,7	HES 0950 0900 097 RO	1,085
95,0	90,0	15,0	HES 0950 0900 150 RO	1,148
97,0	92,0	5,6	HES 0970 0920 056 RO	1,032
100,0	94,0	12,8	HES 1000 0940 128 RO	1,248
100,0	95,0	5,6	HES 1000 0950 056 RO	1,114
100,0	95,0	9,7	HES 1000 0950 097 RO	1,163
100,0	95,0	15,0	HES 1000 0950 150 RO	1,248
100,0	95,0	20,0	HES 1000 0950 200 RO	1,310
100,0	95,0	25,0	HES 1000 0950 250 RO	1,376

D H ₉	d + o -0,05	E +0,2	ART / ITEM	€ cad/ each
105,0	99,0	12,8	HES 1050 0990 128 RO	1,354
105,0	100,0	5,6	HES 1050 1000 056 RO	1,125
105,0	100,0	9,7	HES 1050 1000 097 RO	1,158
105,0	100,0	15,0	HES 1050 1000 150 RO	1,354
105,0	100,0	20,0	HES 1050 1000 200 RO	1,422
105,0	100,0	25,0	HES 1050 1000 250 RO	1,493
110,0	104,0	12,8	HES 1100 1040 128 RO	1,441
110,0	105,0	9,7	HES 1100 1050 097 RO	1,213
110,0	105,0	15,0	HES 1100 1050 150 RO	1,441
110,0	105,0	20,0	HES 1100 1050 200 RO	1,514
110,0	105,0	25,0	HES 1100 1050 250 RO	1,590
115,0	109,0	12,8	HES 1150 1090 128 RO	1,441
115,0	110,0	9,7	HES 1150 1100 097 RO	1,213
115,0	110,0	15,0	HES 1150 1100 150 RO	1,441
115,0	110,0	20,0	HES 1150 1100 200 RO	1,514
115,0	110,0	25,0	HES 1150 1100 250 RO	1,590
120,0	114,0	12,8	HES 1200 1140 128 RO	1,471
120,0	115,0	9,7	HES 1200 1150 097 RO	1,223
120,0	115,0	15,0	HES 1200 1150 150 RO	1,471
120,0	115,0	20,0	HES 1200 1150 200 RO	1,545
120,0	115,0	25,0	HES 1200 1150 250 RO	1,623
125,0	119,0	12,8	HES 1250 1190 128 RO	1,521
125,0	120,0	9,7	HES 1250 1200 097 RO	1,223
125,0	120,0	15,0	HES 1250 1200 150 RO	1,521
125,0	120,0	20,0	HES 1250 1200 200 RO	1,597
125,0	120,0	25,0	HES 1250 1200 250 RO	1,678
130,0	124,0	12,8	HES 1300 1240 128 RO	1,521
130,0	125,0	15,0	HES 1300 1250 150 RO	1,521
130,0	125,0	20,0	HES 1300 1250 200 RO	1,597
130,0	125,0	25,0	HES 1300 1250 250 RO	1,678
135,0	129,0	12,8	HES 1350 1290 128 RO	1,551
135,0	130,0	15,0	HES 1350 1300 150 RO	1,551
135,0	130,0	20,0	HES 1350 1300 200 RO	1,628
135,0	130,0	25,0	HES 1350 1300 250 RO	1,710
140,0	134,0	12,8	HES 1400 1340 128 RO	1,593
140,0	135,0	15,0	HES 1400 1350 150 RO	1,593
140,0	135,0	20,0	HES 1400 1350 200 RO	1,673
140,0	135,0	25,0	HES 1400 1350 250 RO	2,512
145,0	139,0	12,8	HES 1450 1390 128 RO	1,678
145,0	140,0	15,0	HES 1450 1400 150 RO	1,678
145,0	140,0	20,0	HES 1450 1400 200 RO	1,762
145,0	140,0	25,0	HES 1450 1400 250 RO	1,850
150,0	144,0	12,8	HES 1500 1440 128 RO	1,906
150,0	145,0	15,0	HES 1500 1450 150 RO	1,906
150,0	145,0	20,0	HES 1500 1450 200 RO	2,001

HIS
HES
 NG
 HPW
 I-E

OLEODINAMICA
 HYDRAULIC



HES

ANELLI GUIDA ESTERNO - EXTERNAL WEAR RING

D H ₉	d + 0 -0,05	E +0,2	ART / ITEM	€ cad/ each
150,0	145,0	25,0	HES 1500 1450 250 R0	2,101
155,0	149,0	19,2	HES 1550 1490 192 R0	2,274
160,0	154,0	19,2	HES 1600 1540 192 R0	2,506
165,0	159,0	19,2	HES 1650 1590 192 R0	2,820
170,0	164,0	19,2	HES 1700 1640 192 R0	2,847
175,0	169,0	19,2	HES 1750 1690 192 R0	2,970
180,0	174,0	19,2	HES 1800 1740 192 R0	2,970
185,0	179,0	19,2	HES 1850 1790 192 R0	3,041
190,0	184,0	19,2	HES 1900 1840 192 R0	3,257

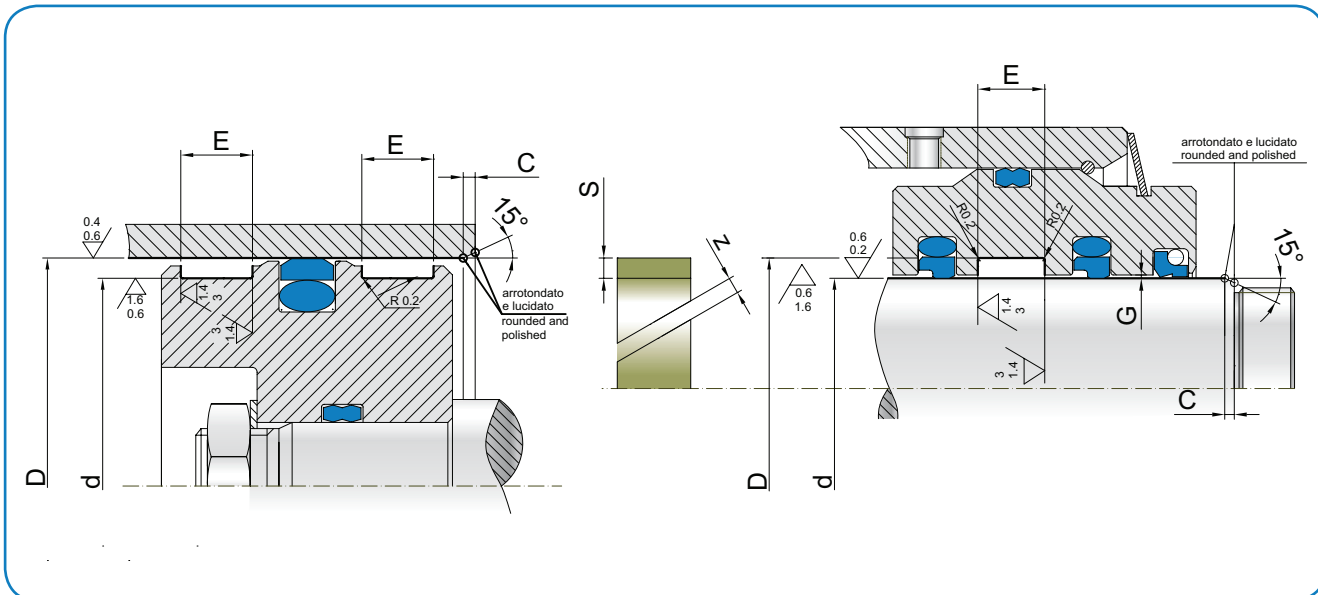
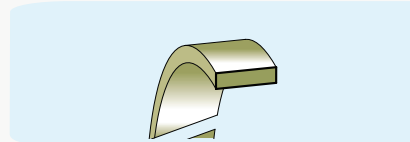
D H ₉	d + 0 -0,05	E +0,2	ART / ITEM	€ cad/ each
195,0	189,0	19,2	HES 1950 1890 192 R0	3,325
200,0	194,0	19,2	HES 2000 1940 192 R0	3,393
210,0	204,0	19,2	HES 2100 2040 192 R0	3,544
220,0	214,0	19,2	HES 2200 2140 192 R0	3,680
230,0	224,0	19,2	HES 2300 2240 192 R0	4,158
240,0	234,0	19,2	HES 2400 2340 192 R0	4,829
250,0	244,0	19,2	HES 2500 2440 192 R0	5,572

Nota: altre dimensioni non a catalogo a richiesta. Consultare il nostro ufficio tecnico.

Remark: please contact our technical dept. for further dimensions not included in the catalogue.

NG

NASTRO GUIDA IN PTFE - PTFE WEAR TAPE

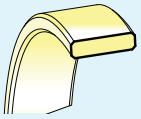


HIS
 HES
NG
 HPW
 I-E

Dimensione sede - Groove dimension						€ cad/each
d_{H9}	D_{H9}	$E_{+0.2}$	Spessore anello Ring thickness s			z
8-20	$d + 2s$	3,20	1,50			1,0-2,0
15-35	$d + 2s$	4,20	1,50 2,00			1,0-2,0
15-75	$d + 2s$	5,60	1,50 2,00 2,50			1,5-3,5
20-75	$d + 2s$	6,30	1,50 2,00 2,50			1,5-3,5
30-250	$d + 2s$	8,10	1,50 2,00 2,50			2,0-5,0
35-300	$d + 2s$	9,70	1,50 2,00 2,50 3,00			2,0-6,0
120-400	$d + 2s$	15,00	1,50 2,00 2,50 3,00			4,0-8,0
200-900	$d + 2s$	20,00	1,50 2,00 2,50 3,00			4,5-8,0
300-900	$d + 2s$	25,00	2,00 2,50 3,00			6,0-8,0
300-900	$d + 2s$	30,00	2,00 2,50 3,00			6,0-10,0

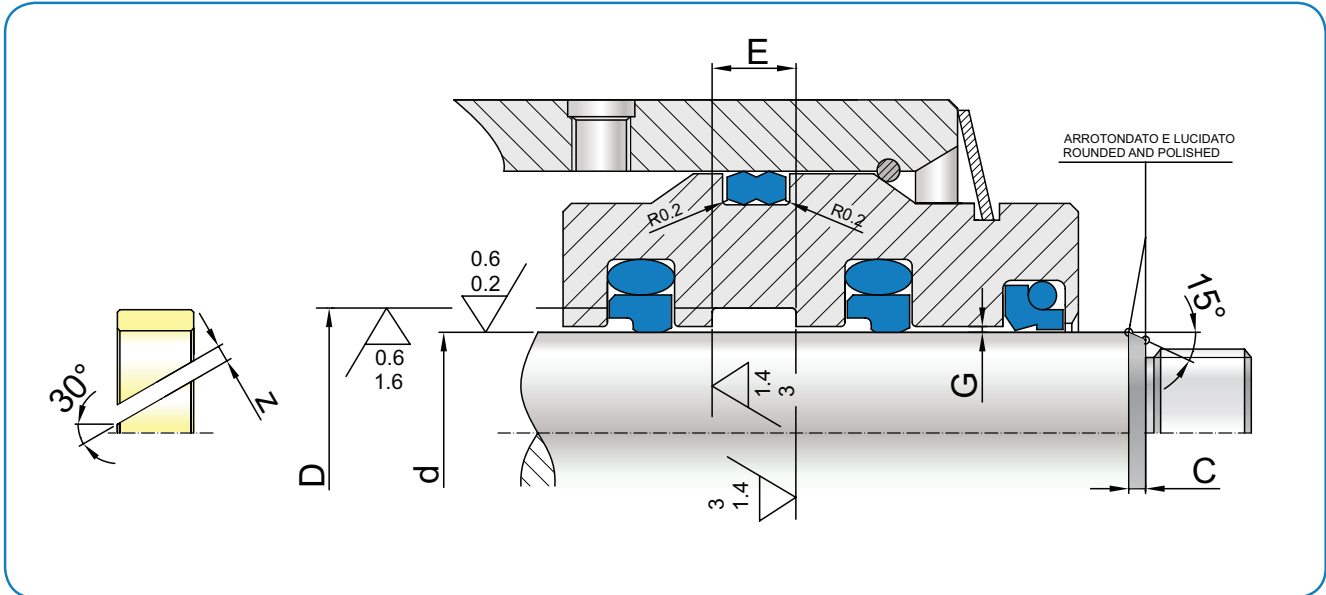
prezzo a richiesta
 price on request.

OLEODINAMICA
 HYDRAULIC



HPWI

GUIDA - WEAR RING

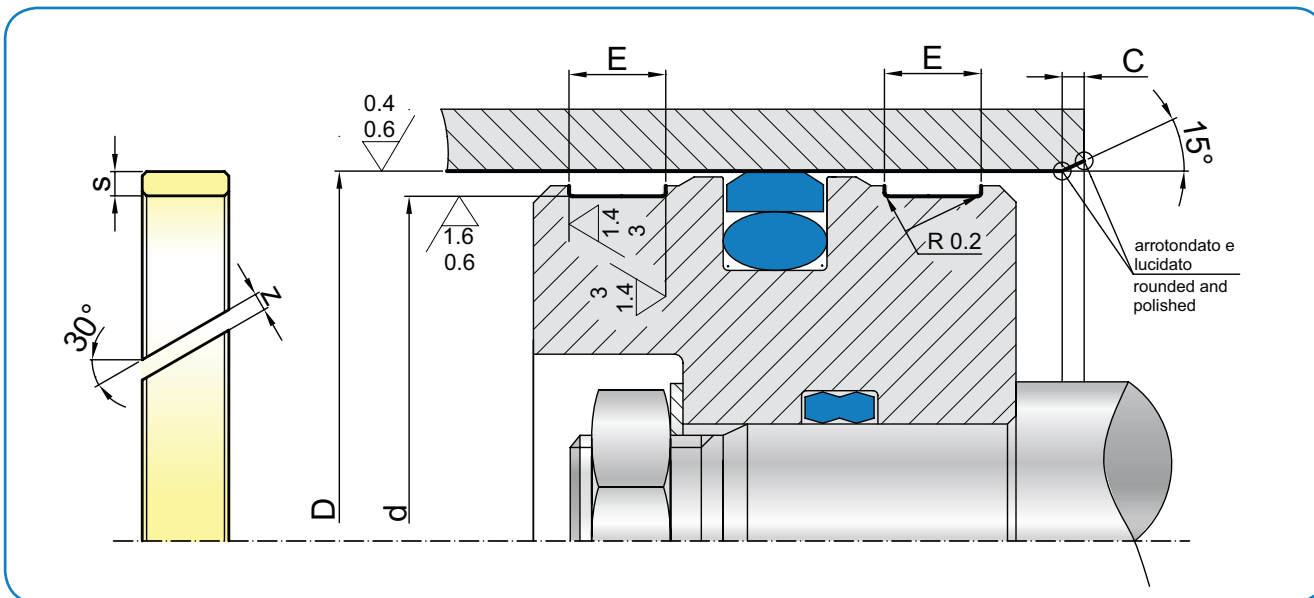
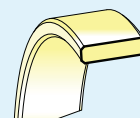


d _{f8}	D _{H9}	E	ART / ITEM	€ cad/each
40,0	45,0	5,6	HPWI 0400 0450 056-097 S0	
45,0	50,0	5,6	HPWI 0450 0500 056-097 S0	
50,0	55,0	5,6	HPWI 0500 0550 056-097 S0	
55,0	60,0	5,6	HPWI 0550 0600 056-097 S0	
56,0	61,0	5,6	HPWI 0560 0610 056-097 S0	
60,0	65,0	5,6	HPWI 0600 0650 056-097 S0	
65,0	70,0	5,6	HPWI 0650 0700 056-097 S0	
70,0	75,0	5,6	HPWI 0700 0750 056-097 S0	
75,0	80,0	5,6	HPWI 0750 0800 056-097 S0	
80,0	85,0	9,7	HPWI 0800 0850 097-128-150 S0	prezzo a richiesta price on request.
85,0	90,0	9,7	HPWI 0850 0900 097-128-150 S0	
90,0	95,0	9,7	HPWI 0900 0950 097-128-150 S0	
95,0	100,0	9,7	HPWI 0950 1000 097-128-150 S0	prezzo a richiesta price on request.
100,0	105,0	9,7	HPWI 1000 1050 097-128-150 S0	
105,0	110,0	9,7	HPWI 1050 1100 097-128-150 S0	
110,0	115,0	9,7	HPWI 1100 1150 097-128-150 S0	prezzo a richiesta price on request.
115,0	120,0	9,7	HPWI 1150 1200 097-128-150 S0	
120,0	125,0	9,7	HPWI 1200 1250 097-128-150 S0	
125,0	130,0	9,7	HPWI 1250 1300 097-128-150 S0	prezzo a richiesta price on request.
130,0	135,0	9,7	HPWI 1300 1350 097-128-150 S0	
135,0	140,0	9,7	HPWI 1350 1400 097-128-150 S0	
140,0	145,0	9,7	HPWI 1400 1450 097-128-150 S0	prezzo a richiesta price on request.
145,0	150,0	9,7	HPWI 1450 1500 097-128-150 S0	
150,0	155,0	9,7	HPWI 1500 1550 097-128-150 S0	

d _{f8}	D _{H9}	E	ART / ITEM	€ cad/each
155,0	160,0	9,7	HPWI 1550 1600 097-128-150 S0	prezzo a richiesta price on request.
160,0	165,0	9,7	HPWI 1600 1650 097-128-150 S0	
165,0	170,0	9,7	HPWI 1650 1700 097-128-150 S0	
170,0	175,0	9,7	HPWI 1700 1750 097-128-150 S0	prezzo a richiesta price on request.
175,0	180,0	9,7	HPWI 1750 1800 097-128-150 S0	
180,0	185,0	9,7	HPWI 1800 1850 097-128-150 S0	
185,0	190,0	9,7	HPWI 1850 1900 097-128-150 S0	prezzo a richiesta price on request.
190,0	195,0	9,7	HPWI 1900 1950 097-128-150 S0	
195,0	200,0	9,7	HPWI 1950 2000 097-128-150 S0	
200,0	205,0	9,7	HPWI 2000 2050 097-128-150 S0	prezzo a richiesta price on request.
205,0	210,0	9,7	HPWI 2050 2100 097-128-150 S0	
210,0	215,0	9,7	HPWI 2100 2150 097-128-150 S0	
215,0	220,0	\	HPWI 2150 2200 150-250 S0	prezzo a richiesta price on request.
220,0	225,0	\	HPWI 2200 2250 150-250 S0	
225,0	230,0	\	HPWI 2250 2300 150-250 S0	
230,0	235,0	\	HPWI 2300 2350 150-250 S0	prezzo a richiesta price on request.
235,0	240,0	\	HPWI 2350 2400 150-250 S0	
240,0	245,0	\	HPWI 2400 2450 150-250 S0	
245,0	250,0	\	HPWI 2450 2500 150-250 S0	prezzo a richiesta price on request.
250,0	255,0	\	HPWI 2500 2550 150-250 S0	

HPWE

GUIDA - WEAR RING

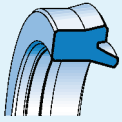


HIS
HES
NG
HPW
I-E

d _{f8}	D _{H9}	E	ART / ITEM				€ cad/each
45,0	40,0	5,6	HPWE 0450	0400	056-097	SO	
50,0	45,0	5,6	HPWE 0500	0450	056-097	SO	
55,0	50,0	5,6	HPWE 0550	0500	056-097	SO	
60,0	55,0	5,6	HPWE 0600	0550	056-097	SO	
61,0	56,0	5,6	HPWE 0610	0560	056-097	SO	
65,0	60,0	5,6	HPWE 0650	0600	056-097	SO	
70,0	65,0	5,6	HPWE 0700	0650	056-097	SO	
75,0	70,0	5,6	HPWE 0750	0700	056-097	SO	
80,0	75,0	5,6	HPWE 0800	0750	056-097	SO	
85,0	80,0	9,7	HPWE 0850	0800	097-128-150	SO	prezzo a richiesta price on request.
90,0	85,0	9,7	HPWE 0900	0850	097-128-150	SO	
95,0	90,0	9,7	HPWE 0950	0900	097-128-150	SO	
100,0	95,0	9,7	HPWE 1000	0950	097-128-150	SO	prezzo a richiesta price on request.
105,0	100,0	9,7	HPWE 1050	1000	097-128-150	SO	
110,0	105,0	9,7	HPWE 1100	1050	097-128-150	SO	
115,0	110,0	9,7	HPWE 1150	1100	097-128-150	SO	
120,0	115,0	9,7	HPWE 1200	1150	097-128-150	SO	
125,0	120,0	9,7	HPWE 1250	1200	097-128-150	SO	
130,0	125,0	9,7	HPWE 1300	1250	097-128-150	SO	
135,0	130,0	9,7	HPWE 1350	1300	097-128-150	SO	
140,0	135,0	9,7	HPWE 1400	1350	097-128-150	SO	
145,0	140,0	9,7	HPWE 1500	1400	097-128-150	SO	
150,0	145,0	9,7	HPWE 1500	1450	097-128-150	SO	
155,0	150,0	9,7	HPWE 1550	1500	097-128-150	SO	

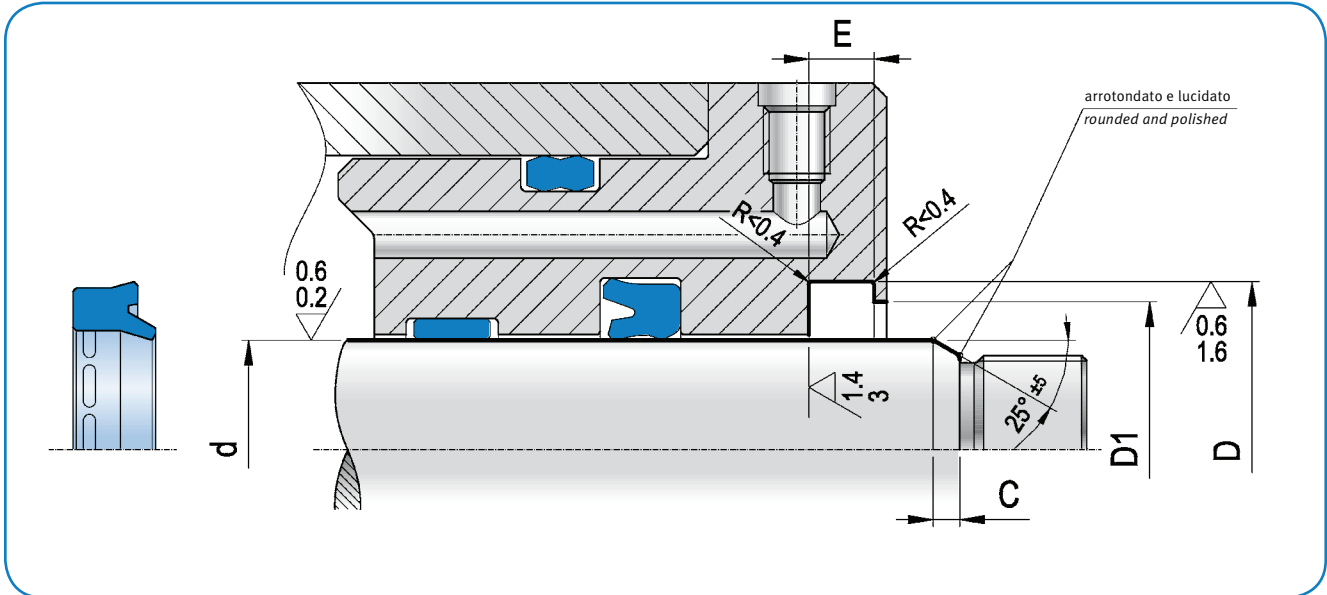
d _{f8}	D _{H9}	E	ART / ITEM				€ cad/each
160,0	155,0	9,7	HPWE 1600	1550	097-128-150	SO	prezzo a richiesta price on request.
165,0	160,0	9,7	HPWE 1650	1600	097-128-150	SO	
170,0	165,0	9,7	HPWE 1700	1650	097-128-150	SO	
175,0	170,0	9,7	HPWE 1750	1700	097-128-150	SO	
180,0	175,0	9,7	HPWE 1800	1750	097-128-150	SO	
185,0	180,0	9,7	HPWE 1850	1800	097-128-150	SO	
190,0	185,0	9,7	HPWE 1900	1850	097-128-150	SO	prezzo a richiesta price on request.
195,0	190,0	9,7	HPWE 1950	1900	097-128-150	SO	
200,0	195,0	9,7	HPWE 2000	1950	097-128-150	SO	
205,0	200,0	9,7	HPWE 2050	2000	097-128-150	SO	
210,0	205,0	9,7	HPWE 2100	2050	097-128-150	SO	
215,0	210,0	9,7	HPWE 2150	2100	097-128-150	SO	
220,0	215,0	\	HPWE 2200	2150	150-250	SO	prezzo a richiesta price on request.
225,0	220,0	\	HPWE 2250	2200	150-250	SO	
230,0	225,0	\	HPWE 2300	2250	150-250	SO	
235,0	230,0	\	HPWE 2350	2300	150-250	SO	
240,0	235,0	\	HPWE 2400	2350	150-250	SO	
245,0	240,0	\	HPWE 2450	2400	150-250	SO	
250,0	245,0	\	HPWE 2500	2450	150-250	SO	
255,0	250,0	\	HPWE 2550	2500	150-250	SO	

OLEODINAMICA
HYDRAULIC



WSL

RASCHIATORE STELO - ROD WIPER

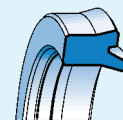


d_{H9}	D_{H10}	$E_{+0,2}$	ART / ITEM	€ cad/ each
5,0	12,0	2,8	WSL 0050 0120 028 C0	0,403
6,0	12,0	3,0	WSL 0060 0120 030 C0	0,403
8,0	14,6	3,8	WSL 0080 0146 038 C0	0,403
10,0	15,0	1,0	WSL 0100 0150 010 C0	0,435
10,0	16,6	3,8	WSL 0100 0166 038 C0	0,435
12,0	18,6	3,8	WSL 0120 0186 038 C0	0,435
13,0	19,6	3,8	WSL 0130 0196 038 C0	0,527
14,0	20,6	3,8	WSL 0140 0206 038 C0	0,527
15,0	21,6	3,8	WSL 0150 0216 038 C0	0,527
16,0	22,6	3,8	WSL 0160 0226 038 C0	0,527
18,0	24,6	3,8	WSL 0180 0246 038 C0	0,527
20,0	28,6	5,3	WSL 0200 0286 053 C0	0,527
22,0	30,6	5,3	WSL 0220 0306 053 C0	0,565
24,0	32,6	5,3	WSL 0240 0326 053 C0	0,565
25,0	33,6	5,3	WSL 0250 0336 053 C0	0,565
28,0	36,6	5,3	WSL 0280 0366 053 C0	0,627
30,0	38,0	5,3	WSL 0300 0380 053 C0	0,689
30,0	38,6	5,3	WSL 0300 0386 053 C0	0,689
32,0	40,6	5,3	WSL 0320 0406 053 C0	0,689
35,0	43,6	5,3	WSL 0350 0436 053 C0	0,689
36,0	44,6	5,3	WSL 0360 0446 053 C0	0,689
38,0	46,6	5,3	WSL 0380 0466 053 C0	0,789
40,0	48,6	5,3	WSL 0400 0486 053 C0	0,789
45,0	53,6	5,3	WSL 0450 0536 053 C0	0,789
46,0	54,6	5,3	WSL 0460 0546 053 C0	0,789
50,0	58,0	5,3	WSL 0500 0580 053 C0	0,919
50,0	58,6	5,3	WSL 0500 0586 053 C0	0,919

d_{H9}	D_{H10}	$E_{+0,2}$	ART / ITEM	€ cad/ each
55,0	63,6	5,3	WSL 0550 0636 053 C0	0,981
55,0	65,6	5,3	WSL 0550 0656 053 C0	0,981
56,0	64,6	5,3	WSL 0560 0646 053 C0	0,981
60,0	68,0	5,3	WSL 0600 0680 053 C0	1,011
60,0	68,6	5,3	WSL 0600 0686 053 C0	1,011
60,0	70,0	5,0	WSL 0600 0700 050 C0	1,011
61,0	69,6	5,3	WSL 0610 0696 053 C0	1,011
63,0	71,6	5,3	WSL 0630 0716 053 C0	1,011
65,0	73,6	5,3	WSL 0650 0736 053 C0	1,011
70,0	78,6	5,3	WSL 0700 0786 053 C0	1,011
70,0	80,0	5,0	WSL 0700 0800 050 C0	1,011
70,0	82,2	7,1	WSL 0700 0822 071 C0	1,049
70,0	82,6	7,1	WSL 0700 0826 071 C0	1,049
75,0	83,6	5,3	WSL 0750 0836 053 C0	1,049
75,0	87,2	7,1	WSL 0750 0872 071 C0	1,079
76,0	84,6	5,3	WSL 0760 0846 053 C0	1,049
80,0	88,6	5,3	WSL 0800 0886 053 C0	1,141
80,0	90,2	7,1	WSL 0800 0902 071 C0	1,176
80,0	92,6	7,1	WSL 0800 0926 071 C0	1,245
85,0	93,6	5,3	WSL 0850 0936 053 C0	1,273
85,0	97,2	7,1	WSL 0850 0972 071 C0	1,273
90,0	102,2	7,1	WSL 0900 1022 071 C0	1,347
91,0	99,6	5,3	WSL 0910 0996 053 C0	1,347
95,0	107,2	7,1	WSL 0950 1072 071 C0	1,502
100,0	108,6	5,3	WSL 1000 1086 053 C0	1,569
100,0	112,2	7,1	WSL 1000 1122 071 C0	1,595
105,0	113,6	5,3	WSL 1050 1136 053 C0	1,598

WSL

RASCHIATORE STELO - ROD WIPER



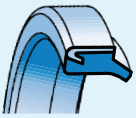
d _{h9}	D _{H10}	E _{+0,2}	ART / ITEM	€ cad/ each
105,0	117,2	7,1	WSL 1050 1172 071 CO	1,607
107,0	115,6	5,3	WSL 1070 1156 053 CO	1,595
110,0	118,6	5,3	WSL 1100 1186 053 CO	1,677
110,0	122,2	7,1	WSL 1100 1222 071 CO	1,687
115,0	127,2	7,1	WSL 1150 1272 071 CO	1,754
120,0	132,2	7,1	WSL 1200 1322 071 CO	1,817
125,0	137,2	7,1	WSL 1250 1372 071 CO	2,035
126,0	134,6	5,3	WSL 1260 1346 053 CO	2,054
130,0	142,2	7,1	WSL 1300 1422 071 CO	2,190
135,0	147,2	7,1	WSL 1350 1472 071 CO	2,190
140,0	152,2	7,1	WSL 1400 1522 071 CO	2,214
140,0	155,0	9,0	WSL 1400 1550 090 CO	2,214
145,0	157,2	7,1	WSL 1450 1572 071 CO	2,494
150,0	162,2	7,1	WSL 1500 1622 071 CO	2,981
160,0	172,2	7,1	WSL 1600 1722 071 CO	3,439

d _{h9}	D _{H10}	E _{+0,2}	ART / ITEM	€ cad/ each
160,0	175,2	10,1	WSL 1600 1752 101 CO	3,683
170,0	185,2	10,1	WSL 1700 1852 101 CO	4,902
180,0	195,2	10,1	WSL 1800 1952 101 CO	4,902
180,0	200,2	10,2	WSL 1800 2002 102 CO	5,045
190,0	205,2	10,1	WSL 1900 2052 101 CO	6,286
200,0	215,2	10,1	WSL 2000 2152 101 CO	6,652
210,0	225,2	10,1	WSL 2100 2252 101 CO	7,140
220,0	235,2	10,1	WSL 2200 2352 101 CO	7,954
230,0	245,2	10,1	WSL 2300 2452 101 CO	8,379
240,0	255,2	10,1	WSL 2400 2552 101 CO	8,978
250,0	265,2	10,1	WSL 2500 2652 101 CO	9,162

WSL
WSG
R09
WWS
WAT
TRD
WED
WEL

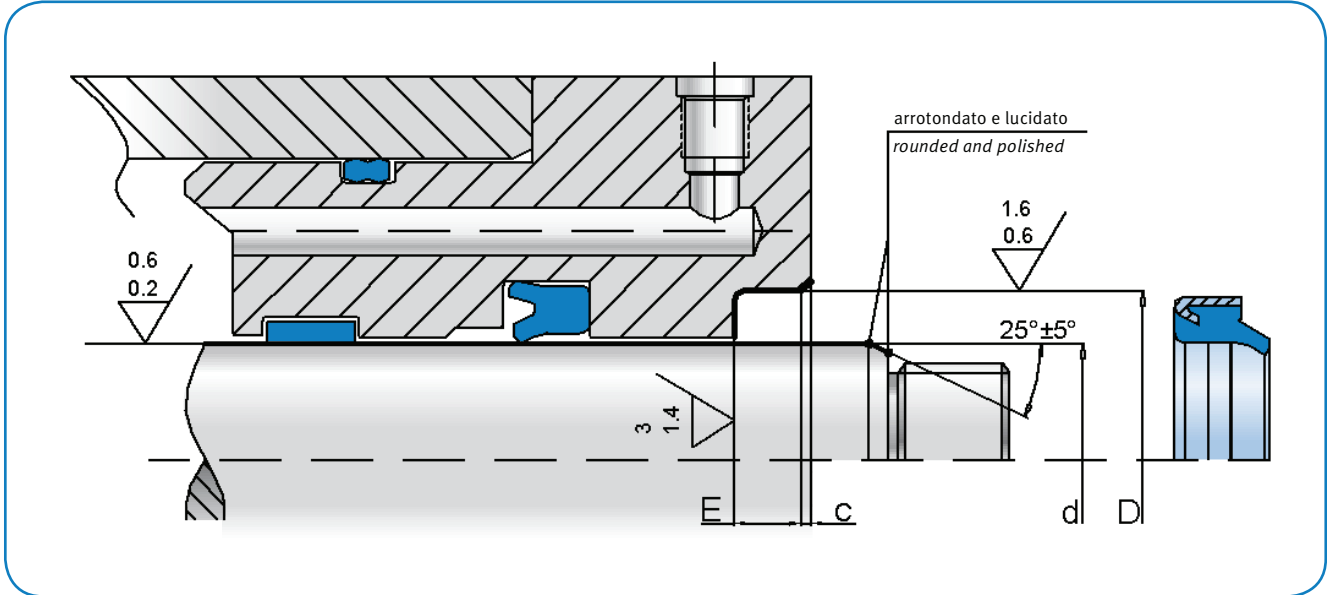
Nota: altre dimensioni non a catalogo a richiesta. Consultare il nostro ufficio tecnico.

Remark: please contact our technical dept. for further dimensions not included in the catalogue.



WSG

RASCHIATORE CON STEP - WIPER WITH STEP



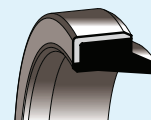
d_{h9}	D_{H10}	$E_{+0,2}$	ART / ITEM	€ cad/each
20,0	30,0	4,0	WSG 0200 0300 040 CA	1,811
20,0	30,0	5,0	WSG 0200 0300 050 CA	1,838
* 20,0	30,0	7,0	WSG 0200 0300 070 CA	1,864
22,0	30,0	4,0	WSG 0220 0300 040 CA	1,877
22,0	32,0	5,0	WSG 0220 0320 050 CA	2,100
* 22,0	32,0	7,0	WSG 0220 0320 070 CA	2,126
25,0	35,0	5,0	WSG 0250 0350 050 CA	2,192
* 25,0	35,0	7,0	WSG 0250 0350 070 CA	2,218
28,0	38,0	5,0	WSG 0280 0350 050 CA	2,258
28,0	38,0	7,0	WSG 0280 0380 070 CA	2,297
30,0	40,0	5,0	WSG 0300 0400 050 CA	2,336
30,0	40,0	7,0	WSG 0300 0400 070 CA	2,363
32,0	42,0	5,0	WSG 0320 0420 050 CA	2,389
32,0	42,0	7,0	WSG 0320 0420 070 CA	2,415
35,0	45,0	5,0	WSG 0350 0450 050 CA	2,428
* 35,0	45,0	7,0	WSG 0350 0450 070 CA	2,468
36,0	46,0	5,0	WSG 0360 0460 050 CA	2,494
38,0	48,0	7,0	WSG 0380 0480 070 CA	2,520
40,0	50,0	5,0	WSG 0400 0500 050 CA	2,559
* 40,0	50,0	7,0	WSG 0400 0500 070 CA	2,586
42,0	52,0	7,0	WSG 0420 0520 070 CA	2,625

d_{h9}	D_{H10}	$E_{+0,2}$	ART / ITEM	€ cad/each
45,0	55,0	7,0	WSG 0450 0550 070 CA	2,756
50,0	60,0	5,0	WSG 0500 0600 050 CA	2,822
* 50,0	60,0	7,0	WSG 0500 0600 070 CA	2,861
55,0	65,0	7,0	WSG 0550 0650 070 CA	2,888
* 56,0	66,0	7,0	WSG 0560 0660 070 CA	2,953
60,0	70,0	5,0	WSG 0600 0700 050 CA	3,150
60,0	70,0	7,0	WSG 0600 0700 070 CA	3,216
65,0	75,0	7,0	WSG 0650 0750 070 CA	3,281
* 70,0	80,0	7,0	WSG 0700 0800 070 CA	3,806
75,0	85,0	7,0	WSG 0750 0850 070 CA	4,200
* 80,0	90,0	7,0	WSG 0800 0900 070 CA	4,725
85,0	95,0	7,0	WSG 0850 0950 070 CA	4,988
* 90,0	100,0	7,0	WSG 0900 1000 070 CA	5,250
95,0	105,0	7,0	WSG 0950 1050 070 CA	5,775
100,0	110,0	7,0	WSG 1000 1100 070 CA	6,563
110,0	120,0	7,0	WSG 1100 1200 070 CA	7,219
120,0	130,0	7,0	WSG 1200 1300 070 CA	8,531

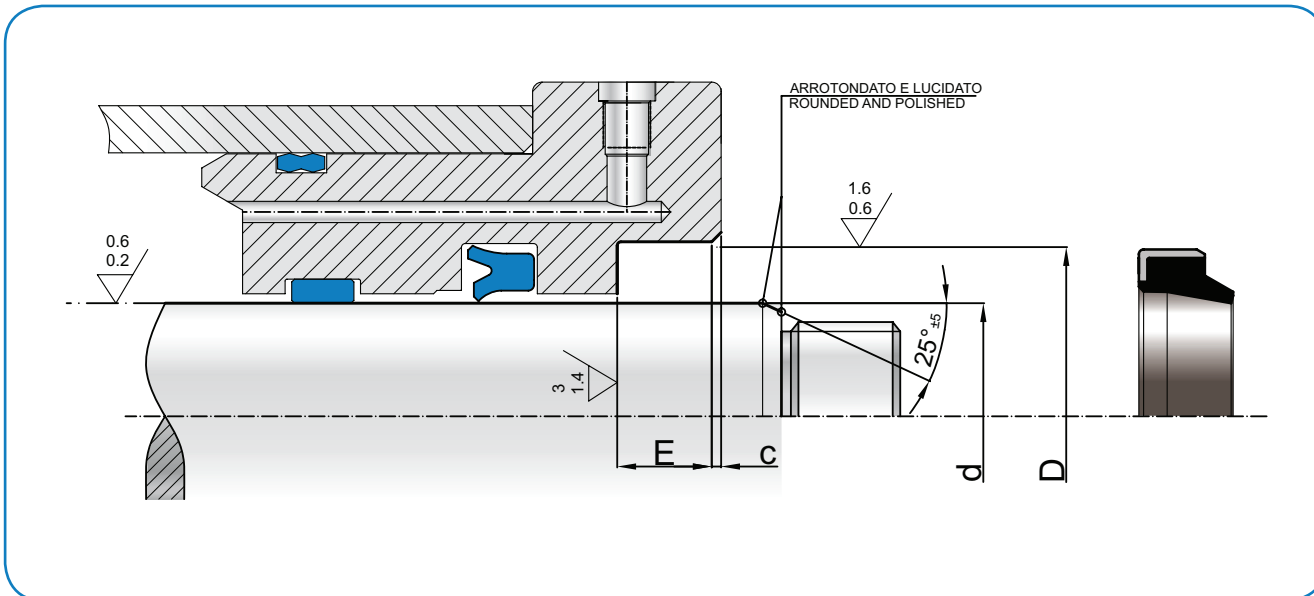
* in conformità alle norme ISO 3320 – in accordance with ISO 3320 norms

R09

RASCHIATORE - WIPER



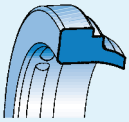
WSL
 WSG
R09
 WWS
 WAT
 TRD
 WED
 WEL



dh9	DH10	E+0,2	ART / ITEM	€ cad/each
20,0	30,0	4,0	R09 0200 0300 040 NG	0,635
20,0	30,0	5,0	R09 0200 0300 050 NG	0,635
* 20,0	30,0	7,0	R09 0200 0300 070 NG	0,678
22,0	30,0	4,0	R09 0220 0300 040 NG	0,683
22,0	32,0	5,0	R09 0220 0320 050 NG	0,704
* 22,0	32,0	7,0	R09 0220 0320 070 NG	0,714
25,0	35,0	5,0	R09 0250 0350 050 NG	0,725
* 25,0	35,0	7,0	R09 0250 0350 070 NG	0,735
28,0	38,0	5,0	R09 0280 0350 050 NG	0,759
28,0	38,0	7,0	R09 0280 0380 070 NG	0,770
30,0	40,0	5,0	R09 0300 0400 050 NG	0,780
30,0	40,0	7,0	R09 0300 0400 070 NG	0,791
32,0	42,0	5,0	R09 0320 0420 050 NG	0,819
32,0	42,0	7,0	R09 0320 0420 070 NG	0,840
35,0	45,0	5,0	R09 0350 0450 050 NG	0,851
* 35,0	45,0	7,0	R09 0350 0450 070 NG	0,861
36,0	46,0	5,0	R09 0360 0460 050 NG	0,893
38,0	48,0	7,0	R09 0380 0480 070 NG	0,914
40,0	50,0	5,0	R09 0400 0500 050 NG	0,945
* 40,0	50,0	7,0	R09 0400 0500 070 NG	0,972
42,0	52,0	7,0	R09 0420 0520 070 NG	1,229

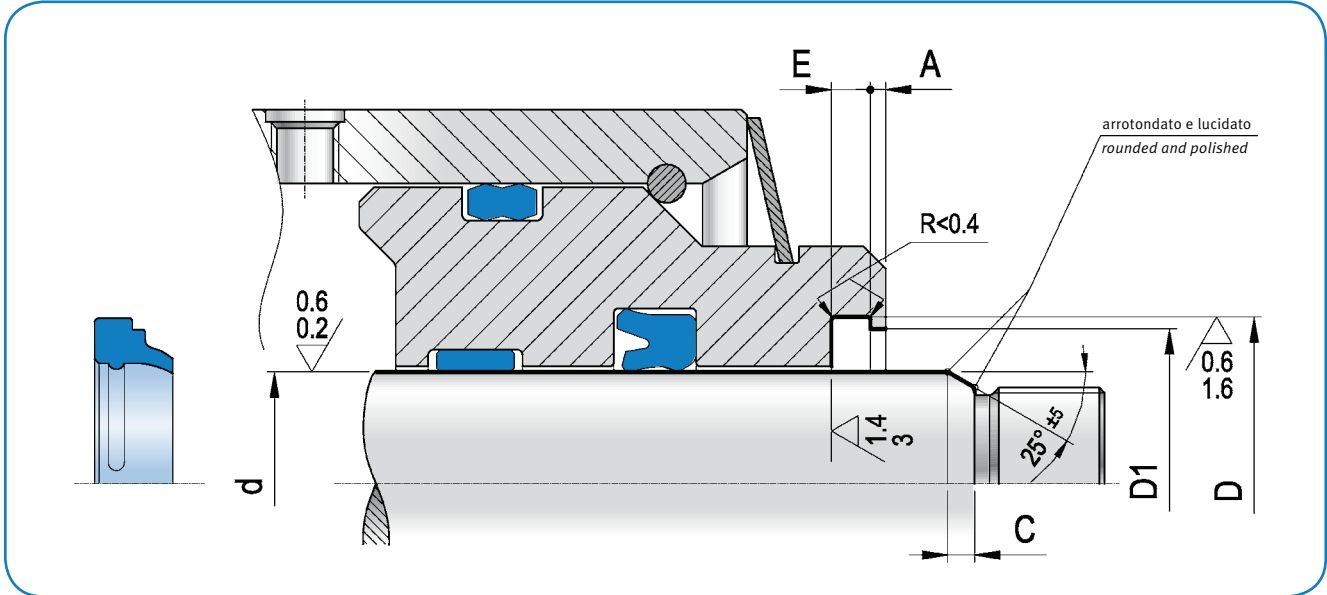
dh9	DH10	E+0,2	ART / ITEM	€ cad/each
45,0	55,0	7,0	R09 0450 0550 070 NG	1,239
50,0	60,0	5,0	R09 0500 0600 050 NG	1,313
* 50,0	60,0	7,0	R09 0500 0600 070 NG	1,323
55,0	65,0	7,0	R09 0550 0650 070 NG	1,523
* 56,0	66,0	7,0	R09 0560 0660 070 NG	1,638
60,0	70,0	5,0	R09 0600 0700 050 NG	1,659
60,0	70,0	7,0	R09 0600 0700 070 NG	1,680
65,0	75,0	7,0	R09 0650 0750 070 NG	1,848
* 70,0	80,0	7,0	R09 0700 0800 070 NG	1,922
75,0	85,0	7,0	R09 0750 0850 070 NG	2,153
* 80,0	90,0	7,0	R09 0800 0900 070 NG	2,289
85,0	95,0	7,0	R09 0850 0950 070 NG	2,520
* 90,0	100,0	7,0	R09 0900 1000 070 NG	2,730
95,0	105,0	7,0	R09 0950 1050 070 NG	3,129
100,0	110,0	7,0	R09 1000 1100 070 NG	3,392
110,0	120,0	7,0	R09 1100 1200 070 NG	3,885
120,0	130,0	7,0	R09 1200 1300 070 NG	4,620

OLEODINAMICA
 HYDRAULIC



WWS

RASCHIATORE CON STEP - WIPER WITH STEP



d_{h9}	D_{H10}	$E_{+0,2}$	ART / ITEM	€ cad/each
* 6,0	10,0	2,0	WWS 0060 0100 020 B0	0,521
* 8,0	14,0	2,6	WWS 0080 0140 026 B0	0,521
* 10,0	16,0	2,6	WWS 0100 0160 026 B0	0,532
* 10,0	18,0	4,0	WWS 0100 0180 040 B0	0,532
* 12,0	18,0	2,6	WWS 0120 0180 026 B0	0,548
* 12,0	20,0	4,0	WWS 0120 0200 040 B0	0,548
* 14,0	20,0	2,6	WWS 0140 0200 026 B0	0,579
* 14,0	22,0	4,0	WWS 0140 0220 040 B0	0,579
15,0	23,0	4,0	WWS 0150 0230 040 B0	0,592
* 16,0	24,0	4,0	WWS 0160 0240 040 B0	0,595
* 18,0	26,0	4,0	WWS 0180 0260 040 B0	0,616
* 20,0	28,0	4,0	WWS 0200 0280 040 B0	0,643
* 22,0	30,0	4,0	WWS 0220 0300 040 B0	0,664
24,0	32,0	4,0	WWS 0240 0320 040 B0	0,669
* 25,0	33,0	4,0	WWS 0250 0330 040 B0	0,690
* 28,0	36,0	4,0	WWS 0280 0360 040 B0	0,732
30,0	38,0	4,0	WWS 0300 0380 040 B0	0,775
* 32,0	40,0	4,0	WWS 0320 0400 040 B0	0,785
34,0	42,0	4,0	WWS 0340 0420 040 B0	0,796
35,0	43,0	4,0	WWS 0350 0430 040 B0	0,801
* 36,0	44,0	4,0	WWS 0360 0440 040 C0	0,832
38,0	46,0	4,0	WWS 0380 0460 040 C0	0,869
* 40,0	48,0	4,0	WWS 0400 0480 040 C0	0,874
42,0	50,0	4,0	WWS 0420 0500 040 C0	0,896

* in conformità alle norme ISO 3320 – in accordance with ISO 3320 norms

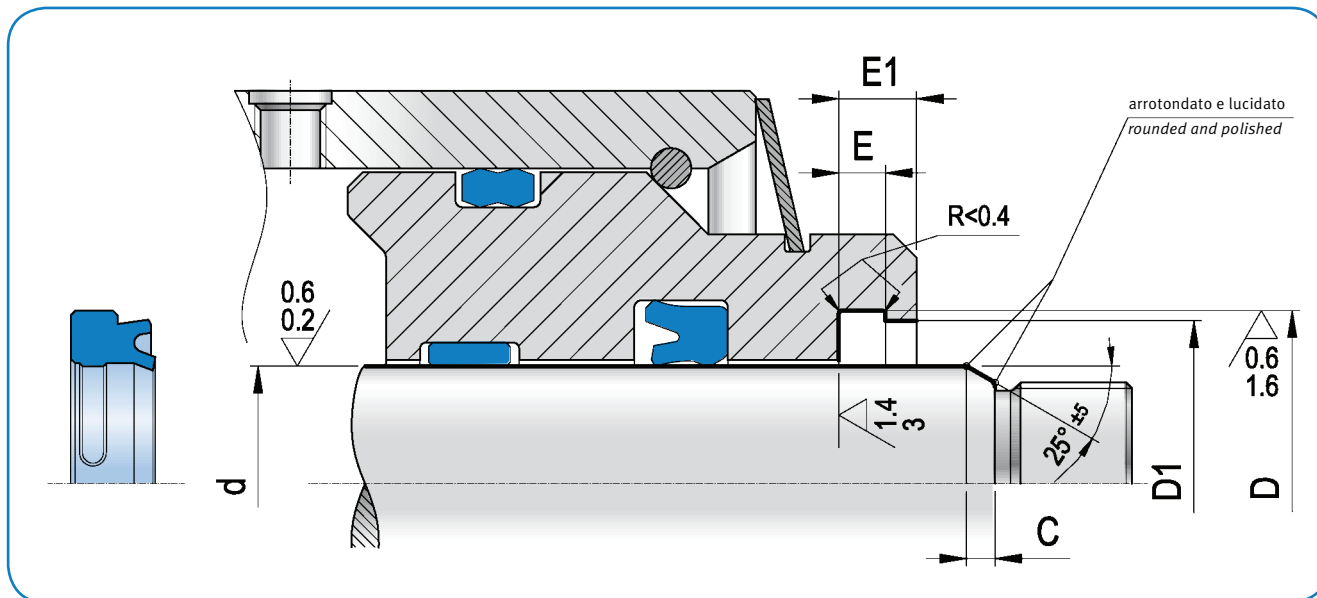
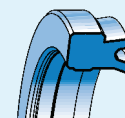
d_{h9}	D_{H10}	$E_{+0,2}$	ART / ITEM	€ cad/each
* 45,0	53,0	4,0	WWS 0450 0530 040 C0	0,912
* 50,0	58,0	4,0	WWS 0500 0580 040 C0	0,943
52,0	60,0	4,0	WWS 0520 0600 040 C0	0,963
55,0	63,0	4,0	WWS 0550 0630 040 C0	0,991
* 56,0	64,0	4,0	WWS 0560 0640 040 C0	1,038
60,0	68,0	4,0	WWS 0600 0680 040 C0	1,075
* 63,0	71,0	4,0	WWS 0630 0710 040 C0	1,107
63,5	71,5	4,0	WWS 0635 0715 040 C0	1,107
65,0	73,0	4,0	WWS 0650 0730 040 C0	1,144
* 70,0	78,0	4,0	WWS 0700 0780 040 C0	1,180
75,0	83,0	4,0	WWS 0750 0830 040 C0	1,217
* 80,0	88,0	4,0	WWS 0800 0880 040 C0	1,281
85,0	93,0	4,0	WWS 0850 0930 040 C0	1,344
* 90,0	98,0	4,0	WWS 0900 0980 040 C0	1,402
* 100,0	108,0	4,0	WWS 1000 1080 040 C0	1,623
110,0	122,0	5,5	WWS 1100 1220 055 C0	1,748
120,0	132,0	5,5	WWS 1200 1320 055 C0	2,017
* 125,0	137,0	5,5	WWS 1250 1370 055 C0	2,093
* 140,0	152,0	5,5	WWS 1400 1520 055 C0	2,445
150,0	162,0	5,5	WWS 1500 1620 055 C0	3,432
* 160,0	172,0	5,5	WWS 1600 1720 055 C0	4,069
* 180,0	192,0	5,5	WWS 1800 1920 055 C0	5,416

Nota: altre dimensioni non a catalogo a richiesta. Consultare il nostro ufficio tecnico.

Remark: please contact our technical dept. for further dimensions not included in the catalogue.

WAT

RASCHIATORE ANTI-RIBALTAMENTO - NO-TWISTING WIPER



WSL
 WSG
 R09
 WWS
WAT
 TRD
 WED
 WEL

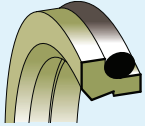
dh ₉	DH ₁₀	D ₁ H ₁₁	ART / ITEM	€ cad/each
16,0	24,0	21,5	WAT 0160 0240 050 CO	0,843
18,0	26,0	23,5	WAT 0180 0260 050 CO	0,843
20,0	28,0	25,5	WAT 0200 0280 050 CO	0,843
22,0	30,0	27,5	WAT 0220 0300 050 CO	0,904
25,0	33,0	30,5	WAT 0250 0330 050 CO	0,904
28,0	36,0	33,5	WAT 0280 0360 050 CO	1,003
32,0	40,0	37,5	WAT 0320 0400 050 CO	1,102
36,0	44,0	41,5	WAT 0360 0440 050 CO	1,102
40,0	48,0	45,5	WAT 0400 0480 050 CO	1,262
45,0	53,0	50,5	WAT 0450 0530 050 CO	1,262
50,0	58,0	55,5	WAT 0500 0580 050 CO	1,470
56,0	66,0	63,0	WAT 0560 0660 063 CO	1,569

dh ₉	DH ₁₀	D ₁ H ₁₁	ART / ITEM	€ cad/each
60,0	68,0	65,5	WAT 0600 0680 050 CO	1,583
63,0	73,0	70,0	WAT 0630 0730 063 CO	1,618
70,0	80,0	77,0	WAT 0700 0800 063 CO	1,618
80,0	90,0	87,0	WAT 0800 0900 063 CO	1,826
90,0	100,0	97,0	WAT 0900 1000 063 CO	2,155
100,0	115,0	110,0	WAT 1000 1150 095 CO	2,552
110,0	122,0	119,0	WAT 1100 1220 055 CO	2,678
110,0	125,0	120,0	WAT 1100 1250 095 CO	2,835
115,0	127,0	124,0	WAT 1150 1270 055 CO	2,940
120,0	132,0	129,0	WAT 1200 1320 055 CO	2,993
125,0	137,0	134,0	WAT 1250 1370 055 CO	3,045
125,0	140,0	135,0	WAT 1250 1400 095 CO	3,150

Nota: altre dimensioni non a catalogo a richiesta. Consultare il nostro ufficio tecnico.

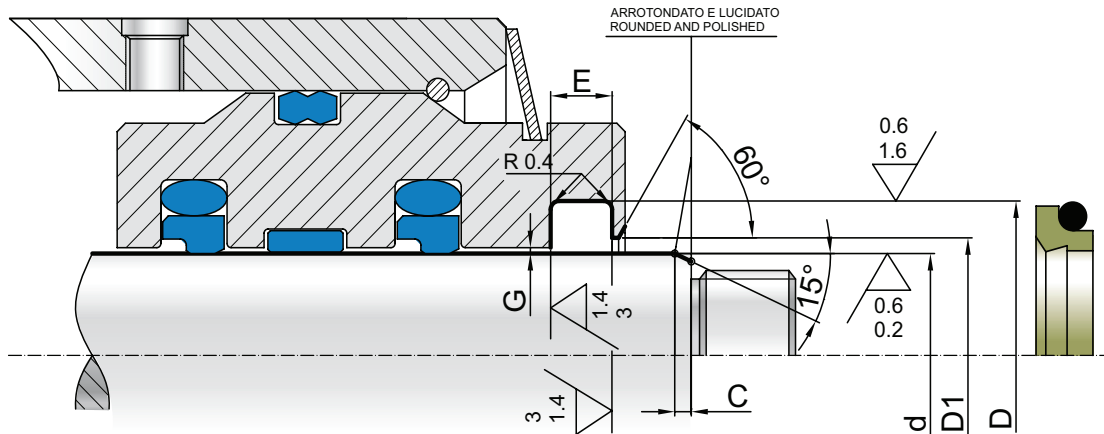
Remark: please contact our technical dept. for further dimensions not included in the catalogue.

OLEODINAMICA
 HYDRAULIC



TRD

ANELLO RASCHIATORE - WIPER RING

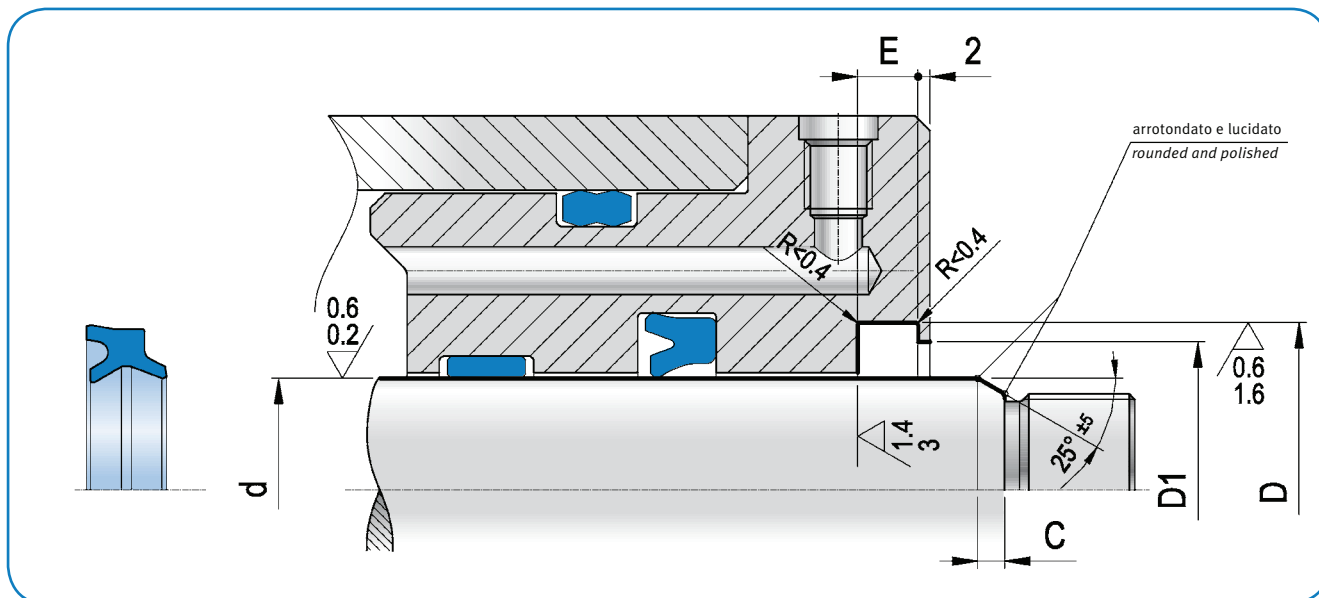
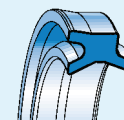


d _{f8}	D _{H9}	E _{+0,2}	ART / ITEM	€ cad/each
4,0	8,8	3,7	TRD 0040 0088 037 TN	4,200
5,0	9,8	3,7	TRD 0050 0980 037 TN	4,200
7,0	11,8	3,7	TRD 0070 011 037 TN	4,200
8,0	12,8	3,7	TRD 0080 0128 037 TN	5,103
10,0	14,8	3,7	TRD 0100 0148 037 TN	5,103
12,0	18,8	5,0	TRD 0120 0188 050 TN	5,954
14,0	20,8	5,0	TRD 0140 0208 050 TN	6,095
15,0	21,8	5,0	TRD 0150 0218 050 TN	6,237
16,0	22,8	5,0	TRD 0160 0228 050 TN	6,521
18,0	24,8	5,0	TRD 0180 0248 050 TN	6,804
20,0	26,8	5,0	TRD 0200 0268 050 TN	6,804
24,0	30,8	5,0	TRD 0240 0308 050 TN	7,088
25,0	31,8	5,0	TRD 0250 0318 050 TN	7,088
26,0	32,8	5,0	TRD 0260 0328 050 TN	7,655
28,0	34,8	5,0	TRD 0280 0348 050 TN	7,938
30,0	36,8	5,0	TRD 0300 0368 050 TN	8,222
32,0	38,8	5,0	TRD 0320 0388 050 TN	8,505
35,0	41,8	5,0	TRD 0350 0418 050 TN	8,789
37,0	43,8	5,0	TRD 0370 0438 050 TN	9,072
38,0	44,8	5,0	TRD 0380 0448 050 TN	9,072
40,0	46,8	5,0	TRD 0400 0468 050 TN	9,072
42,0	48,8	5,0	TRD 0420 0488 050 TN	9,072
45,0	51,8	5,0	TRD 0450 0518 050 TN	9,639
48,0	54,8	5,0	TRD 0480 0548 050 TN	10,206
50,0	56,8	5,0	TRD 0500 0568 050 TN	11,057
52,0	58,8	5,0	TRD 0520 0588 050 TN	11,340
55,0	61,8	5,0	TRD 0550 0618 050 TN	11,624
58,0	64,8	5,0	TRD 0580 0648 050 TN	12,474
60,0	66,8	5,0	TRD 0600 0668 050 TN	13,041
65,0	73,8	6,0	TRD 0650 0738 060 TN	15,026

d _{f8}	D _{H9}	E _{+0,2}	ART / ITEM	€ cad/each
70,0	78,8	6,0	TRD 0700 0788 060 TN	18,428
75,0	83,8	6,0	TRD 0750 0838 060 TN	19,845
80,0	88,8	6,0	TRD 0800 0888 060 TN	20,696
85,0	93,8	6,0	TRD 0850 0938 060 TN	21,546
90,0	98,8	6,0	TRD 0900 0988 060 TN	22,397
95,0	103,8	6,0	TRD 0950 1038 060 TN	22,680
100,0	108,8	6,0	TRD 1000 1088 060 TN	23,247
110,0	118,8	6,0	TRD 1100 1188 060 TN	26,082
120,0	128,8	6,0	TRD 1200 1288 060 TN	28,350
125,0	133,8	6,0	TRD 1250 1338 060 TN	31,185
130,0	138,8	6,0	TRD 1300 1388 060 TN	39,690
135,0	143,8	6,0	WAB 1350 1438 060 TN	41,108
140,0	148,8	6,0	TRD 1400 1488 060 TN	42,525
150,0	158,8	6,0	TRD 1500 1588 060 TN	44,793
155,0	163,8	6,0	TRD 1550 1638 060 TN	46,778
160,0	168,8	6,0	TRD 1600 1688 060 TN	49,613
170,0	178,8	6,0	TRD 1700 1788 060 TN	53,865
175,0	183,8	6,0	TRD 1750 1838 060 TN	55,283
180,0	188,8	6,0	TRD 1800 1888 060 TN	56,700
185,0	193,8	6,0	TRD 1850 1938 060 TN	58,800
190,0	198,8	6,0	TRD 1900 1988 060 TN	61,803
195,0	203,8	6,0	TRD 1950 2038 060 TN	63,788
200,0	208,8	6,0	TRD 2000 2088 060 TN	65,205
210,0	218,8	6,0	TRD 2100 2188 060 TN	70,875
220,0	228,8	6,0	TRD 2200 2288 060 TN	76,545
225,0	233,8	6,0	TRD 2250 2338 060 TN	85,050
230,0	238,8	6,0	TRD 2300 2388 060 TN	96,390
240,0	248,8	6,0	TRD 2400 2488 060 TN	102,060
250,0	258,8	6,0	TRD 2500 2588 060 TN	119,070
260,0	272,2	8,4	TRD 2600 2722 084 TN	150,255

WED

RASCHIATORE BIDIREZIONALE - DOUBLE ACTING WIPER

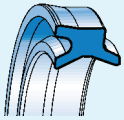


WSL
 WSG
 R09
 WWS
 WAT
 TRD
WED
 WEL

dh9	DH10	E +0,2	ART / ITEM	€ cad/each
6,0	11,0	3,5	WED 0060 0110 035 C0	0,945
8,0	13,0	3,5	WED 0080 0130 035 C0	0,945
10,0	16,0	4,0	WED 0100 0160 040 C0	1,047
* 12,0	18,0	4,0	WED 0120 0180 040 C0	1,047
12,0	18,6	3,8	WED 0120 0186 038 C0	1,047
* 14,0	20,0	4,0	WED 0140 0200 040 C0	1,077
14,0	20,6	3,8	WED 0140 0206 038 C0	1,077
16,0	22,0	4,0	WED 0160 0220 040 C0	1,108
* 18,0	24,0	4,0	WED 0180 0240 040 C0	1,158
18,0	24,6	3,8	WED 0180 0246 038 C0	1,158
20,0	26,0	4,0	WED 0200 0260 040 C0	1,208
20,0	28,6	5,3	WED 0200 0286 053 C0	1,208
* 22,0	28,0	4,0	WED 0220 0280 040 C0	1,301
22,0	30,6	5,3	WED 0220 0306 053 C0	1,301
24,0	32,6	5,3	WED 0240 0326 053 C0	1,366
25,0	31,0	4,0	WED 0250 0310 040 C0	1,369
25,0	33,6	5,3	WED 0250 0336 053 C0	1,369
* 28,0	36,0	5,0	WED 0280 0360 050 C0	1,400
28,0	36,6	5,3	WED 0280 0366 053 C0	1,400
30,0	38,0	5,0	WED 0300 0380 050 C0	1,431
30,0	38,6	5,3	WED 0300 0386 053 C0	1,431
32,0	40,0	5,0	WED 0320 0400 050 C0	1,561
32,0	40,6	5,3	WED 0320 0406 053 C0	1,561
35,0	43,0	5,0	WED 0350 0430 050 C0	1,934
35,0	43,6	5,3	WED 0350 0436 053 C0	1,934
35,0	45,0	5,0	WED 0350 0450 050 C0	1,943
* 36,0	44,0	5,0	WED 0360 0440 050 C0	1,946

dh9	DH10	E +0,2	ART / ITEM	€ cad/each
36,0	44,6	5,3	WED 0360 0446 053 C0	1,946
38,0	46,0	5,0	WED 0380 0460 050 C0	1,982
40,0	48,0	5,0	WED 0400 0480 050 C0	1,982
40,0	48,6	5,3	WED 0400 0486 053 C0	1,982
42,0	50,0	5,0	WED 0420 0500 050 C0	2,016
42,0	50,0	6,0	WED 0420 0500 060 C0	2,016
* 45,0	53,0	5,0	WED 0450 0530 050 C0	2,016
45,0	53,6	5,3	WED 0450 0536 053 C0	2,016
50,0	58,0	5,0	WED 0500 0580 050 C0	2,045
50,0	58,6	5,3	WED 0500 0586 053 C0	2,045
50,0	60,0	6,0	WED 0500 0600 060 C0	2,207
55,0	63,6	5,3	WED 0550 0636 053 C0	2,207
55,0	65,0	6,0	WED 0550 0650 060 C0	2,207
56,0	64,6	5,3	WED 0560 0646 053 C0	2,207
* 56,0	66,0	6,0	WED 0560 0660 060 C0	2,207
58,0	68,0	6,0	WED 0580 0680 060 C0	2,263
60,0	68,6	5,3	WED 0600 0686 053 C0	2,339
60,0	70,0	6,0	WED 0600 0700 060 C0	2,339
63,0	71,6	5,3	WED 0630 0716 053 C0	2,468
63,0	73,0	6,0	WED 0630 0730 060 C0	2,468
65,0	73,6	5,3	WED 0650 0736 053 C0	2,498
65,0	75,0	6,0	WED 0650 0750 060 C0	2,498
67,0	77,0	6,0	WED 0670 0770 060 C0	2,498
70,0	78,6	5,3	WED 0700 0786 053 C0	2,510
* 70,0	80,0	6,0	WED 0700 0800 060 C0	2,510
75,0	83,6	5,3	WED 0750 0836 053 C0	2,529
75,0	85,0	6,0	WED 0750 0850 060 C0	2,529

* in conformità alle norme ISO 6195 - in accordance with ISO 6195 norm



WED

RASCHIATORE BIDIREZIONALE - DOUBLE ACTING WIPER

d _{h9}	D _{H10}	E _{+0,2}	ART / ITEM	€ cad/each
78,0	88,0	6,0	WED 0780 0880 060 C0	2,529
80,0	88,6	5,3	WED 0800 0886 053 C0	2,594
80,0	90,0	6,0	WED 0800 0900 060 C0	2,594
85,0	93,6	5,3	WED 0850 0936 053 C0	2,660
85,0	95,0	6,0	WED 0850 0950 060 C0	2,660
85,0	97,2	7,1	WED 0850 0972 071 C0	2,660
* 90,0	100,0	6,0	WED 0900 1000 060 C0	2,723
90,0	102,2	7,1	WED 0900 1022 071 C0	2,723
100,0	110,0	6,0	WED 1000 1100 060 C0	3,045

d _{h9}	D _{H10}	E _{+0,2}	ART / ITEM	€ cad/each
100,0	112,2	7,1	WED 1000 1122 071 C0	3,045
110,0	122,2	7,1	WED 1100 1222 071 C0	3,597
* 110,0	125,0	8,5	WED 1100 1250 085 C0	3,597
120,0	135,0	8,5	WED 1200 1350 085 C0	4,123
125,0	140,0	8,5	WED 1250 1400 085 C0	4,287
* 140,0	155,0	8,5	WED 1400 1550 085 C0	5,026
150,0	165,0	8,5	WED 1500 1650 085 C0	5,673
160,0	175,0	8,5	WED 1600 1750 085 C0	6,320
180,0	195,0	8,5	WED 1800 1950 085 C0	8,585

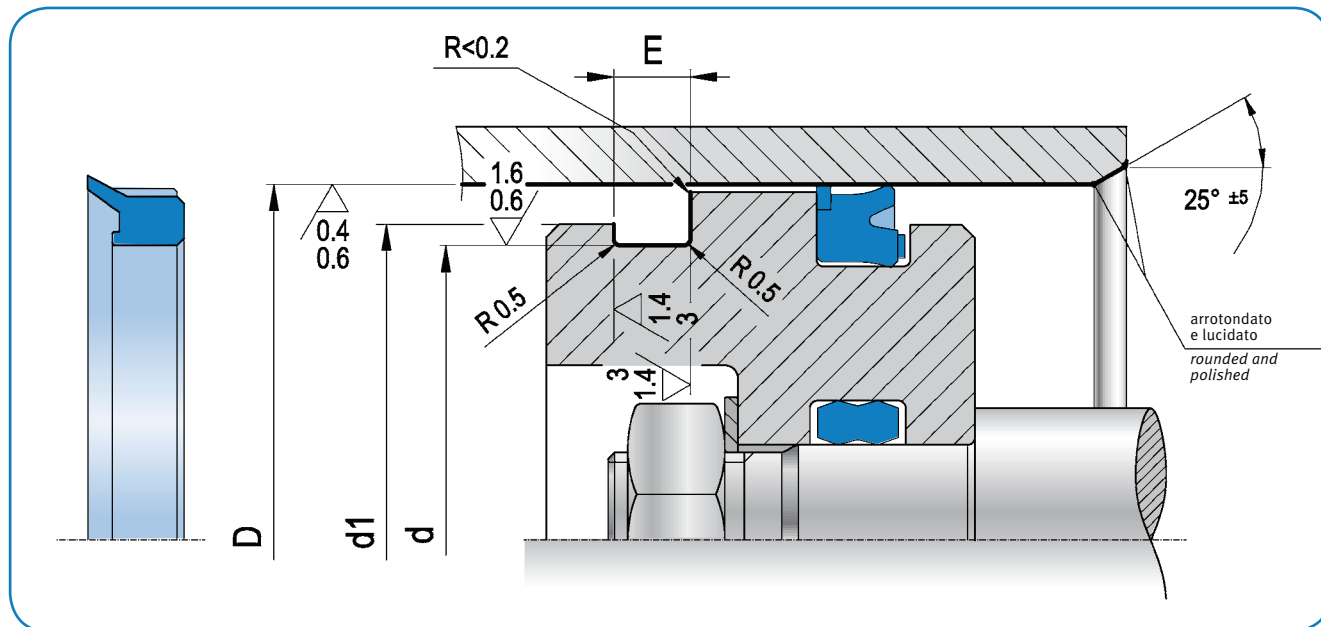
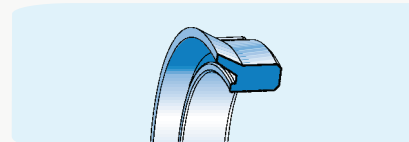
* in conformità alle norme ISO 6195 – in accordance with ISO 6195 norm

Nota: altre dimensioni non a catalogo a richiesta. Consultare il nostro ufficio tecnico.

Remark: please contact our technical dept. for further dimensions not included in the catalogue.

WEL

RASCHIATORE PER ESTERNO - EXTERNAL WIPER



WSL
WSG
R09
WWS
WAT
TRD
WED
WEL

D _{H9}	d _{H9}	E _{+0,2}	ART / ITEM	€ cad/ each
40,0	31,4	5,3	WEL 0400 0314 053 CO	0,683
45,0	36,4	5,3	WEL 0450 0364 053 CO	0,746
50,0	41,4	5,3	WEL 0500 0414 053 CO	0,788
60,0	51,4	5,3	WEL 0600 0514 053 CO	0,956
63,0	54,4	5,3	WEL 0630 0544 053 CO	1,029
70,0	61,4	5,3	WEL 0700 0614 053 CO	1,061
75,0	66,4	5,3	WEL 0750 0664 053 CO	1,104
80,0	71,4	5,3	WEL 0800 0714 053 CO	1,113
90,0	81,4	5,3	WEL 0900 0814 053 CO	1,198

D _{H9}	d _{H9}	E _{+0,2}	ART / ITEM	€ cad/ each
95,0	86,4	5,3	WEL 0950 0864 053 CO	1,303
100,0	91,4	5,3	WEL 1000 0914 053 CO	1,345
110,0	101,4	5,3	WEL 1100 1014 053 CO	1,440
120,0	111,4	5,3	WEL 1200 1114 053 CO	1,576
140,0	131,4	5,3	WEL 1400 1314 053 CO	2,107

Nota: altre dimensioni non a catalogo a richiesta. Consultare il nostro ufficio tecnico.

Remark: please contact our technical dept. for further dimensions not included in the catalogue.

OLEODINAMICA
HYDRAULIC



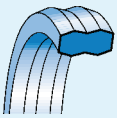


ARTIC SEALS™

Tenute statiche
Static seals

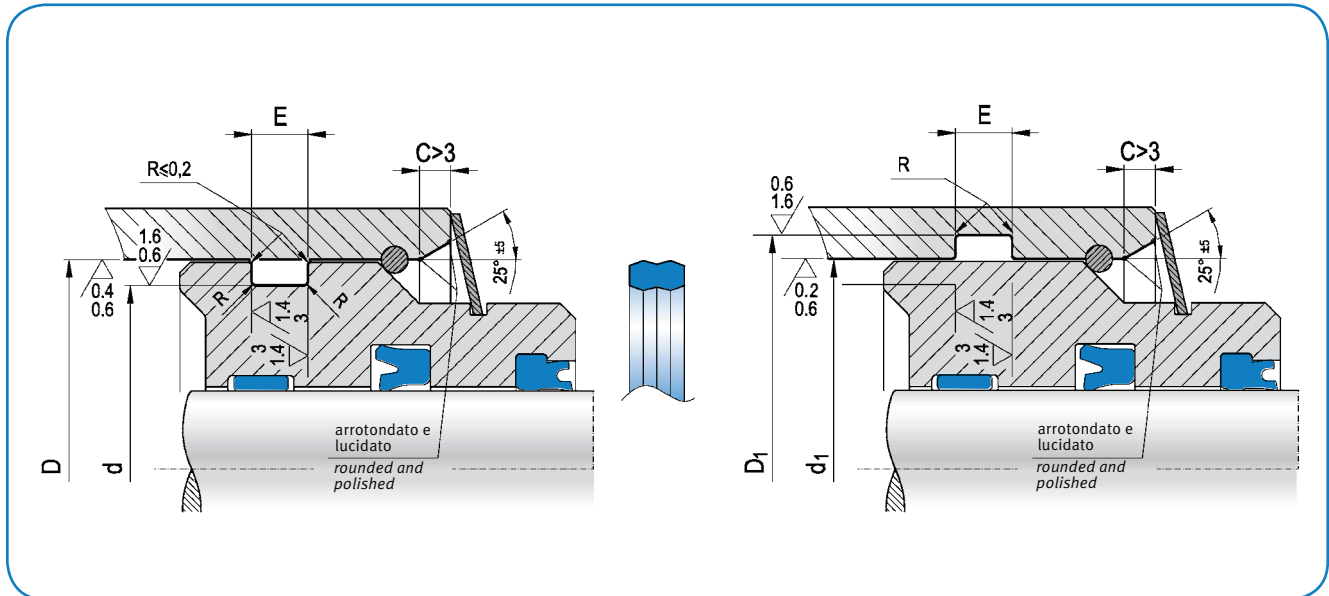


TENUTE STATICHE
STATIC SEALS



SSA

GUARNIZIONE STATICA - STATIC SEAL

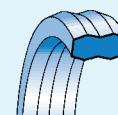


D _{H10}	d _{h9}	E _{+0,2}	ART / ITEM	€ cad/each
10,00	7,40	3,8	SSA 0100 0074 038 C0	0,567
12,00	9,40	3,8	SSA 0120 0094 038 C0	0,567
12,65	9,90	2,5	SSA 0126 0099 025 C0	0,567
13,00	10,20	2,5	SSA 0130 0102 025 C0	0,567
14,00	11,20	2,5	SSA 0140 0112 025 C0	0,567
14,00	11,40	3,8	SSA 0140 0114 038 C0	0,567
14,22	11,47	2,5	SSA 0142 0114 025 C0	0,567
15,00	11,90	2,5	SSA 0150 0119 025 C0	0,567
15,00	11,90	4,0	SSA 0150 0119 040 C0	0,567
15,00	12,20	2,5	SSA 0150 0122 025 C0	0,567
15,00	12,40	3,8	SSA 0150 0124 038 C0	0,567
15,82	13,07	2,5	SSA 0158 0130 025 C0	0,567
15,87	13,00	3,5	SSA 0159 0130 035 C0	0,567
16,00	12,90	2,5	SSA 0160 0129 025 C0	0,567
16,00	13,40	3,8	SSA 0160 0134 038 C0	0,567
16,50	12,00	3,5	SSA 0165 0120 035 C0	0,567
17,00	14,20	2,5	SSA 0170 0142 025 C0	0,588
17,47	14,60	3,5	SSA 0175 0146 035 C0	0,588
18,00	14,90	2,5	SSA 0180 0149 025 C0	0,629
18,00	14,90	4,0	SSA 0180 0149 040 C0	0,629
18,00	15,20	2,5	SSA 0180 0152 025 C0	0,629
18,00	15,40	3,8	SSA 0180 0154 038 C0	0,629
19,00	15,90	2,5	SSA 0190 0159 025 C0	0,629
19,00	15,90	4,0	SSA 0190 0159 040 C0	0,629
19,00	16,20	2,5	SSA 0190 0162 025 C0	0,629
19,05	16,20	3,5	SSA 0190 0162 035 C0	0,629
20,00	17,40	3,4	SSA 0200 0174 034 C0	0,629

D _{H10}	d _{h9}	E _{+0,2}	ART / ITEM	€ cad/each
20,00	17,40	3,4	SSA 0200 0174 038 C0	0,629
20,62	17,80	3,5	SSA 0206 0178 035 C0	0,629
21,00	17,60	4,4	SSA 0210 0176 044 C0	0,629
22,00	19,40	3,8	SSA 0220 0194 038 C0	0,629
24,00	21,40	3,8	SSA 0240 0214 038 C0	0,629
25,00	20,50	3,5	SSA 0250 0205 035 C0	0,704
25,00	20,50	5,0	SSA 0250 0205 050 C0	0,704
25,00	22,40	3,8	SSA 0250 0224 038 C0	0,704
26,00	21,80	3,5	SSA 0260 0218 035 C0	0,704
26,00	22,00	5,0	SSA 0260 0220 050 C0	0,704
27,00	22,80	3,5	SSA 0270 0228 035 C0	0,704
28,00	23,00	5,3	SSA 0280 0230 053 C0	0,704
28,00	23,80	3,5	SSA 0280 0238 035 C0	0,704
28,00	24,00	5,0	SSA 0280 0240 050 C0	0,704
29,00	24,50	3,5	SSA 0290 0245 035 C0	0,704
29,00	24,90	5,0	SSA 0290 0249 050 C0	0,748
30,00	26,00	5,0	SSA 0300 0260 050 C0	0,748
32,00	28,00	5,0	SSA 0320 0280 050 C0	0,748
34,00	30,00	5,0	SSA 0340 0300 050 C0	0,748
35,00	31,00	5,0	SSA 0350 0310 050 C0	0,748
36,00	30,40	4,5	SSA 0360 0304 045 C0	0,748
36,00	32,00	5,0	SSA 0360 0320 050 C0	0,748
37,00	30,80	4,5	SSA 0370 0308 045 C0	0,748
38,00	31,80	4,5	SSA 0380 0318 045 C0	0,748
38,00	32,40	4,5	SSA 0380 0324 045 C0	0,748
38,60	34,00	4,0	SSA 0386 0340 040 C0	0,748
39,00	33,40	5,3	SSA 0390 0334 053 C0	0,748

SSA

GUARNIZIONE STATICA - STATIC SEAL

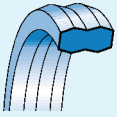


D _{H10}	d _{h9}	E _{+0,2}	ART / ITEM	€ cad/each
40,00	33,80	6,0	SSA 0400 0338 060 CO	0,788
40,00	34,40	4,8	SSA 0400 0344 048 CO	0,788
40,00	36,00	5,0	SSA 0400 0360 050 CO	0,788
42,00	36,40	4,8	SSA 0420 0364 048 CO	0,788
42,00	38,00	3,2	SSA 0420 0380 032 CO	0,788
42,00	38,00	5,0	SSA 0420 0380 050 CO	0,788
43,00	37,40	5,3	SSA 0430 0374 053 CO	0,807
44,45	38,45	5,3	SSA 0445 0385 053 CO	0,807
45,00	41,00	5,0	SSA 0450 0410 050 CO	0,807
45,00	40,00	5,4	SSA 0450 0400 054 CO	0,807
45,60	41,00	4,0	SSA 0456 0410 040 CO	0,807
47,00	42,00	5,4	SSA 0470 0420 054 CO	0,807
48,00	42,30	5,3	SSA 0480 0423 053 CO	0,807
48,00	42,60	6,2	SSA 0480 0426 062 CO	0,807
48,00	43,00	3,6	SSA 0480 0430 036 CO	0,807
50,00	43,80	6,0	SSA 0500 0438 060 CO	0,807
50,00	44,40	5,3	SSA 0500 0444 053 CO	0,807
50,00	44,60	6,2	SSA 0500 0446 062 CO	0,812
50,00	47,50	3,6	SSA 0500 0475 036 CO	0,812
52,00	46,60	6,2	SSA 0520 0466 062 CO	0,812
53,00	48,00	3,6	SSA 0530 0480 036 CO	0,812
53,00	48,00	5,4	SSA 0530 0480 054 CO	0,812
54,40	48,70	5,3	SSA 0544 0487 053 CO	0,812
55,00	49,60	6,2	SSA 0550 0496 062 CO	0,838
55,00	49,90	5,3	SSA 0550 0499 053 CO	0,838
55,00	51,00	3,5	SSA 0550 0510 035 CO	0,838
57,00	52,20	4,1	SSA 0570 0522 041 CO	0,838
57,15	51,15	5,3	SSA 0572 0512 053 CO	0,838
60,00	53,80	6,0	SSA 0600 0538 060 CO	0,938
60,00	54,30	5,8	SSA 0600 0543 058 CO	0,938
60,00	54,40	5,8	SSA 0600 0544 058 CO	0,938
60,00	54,60	6,2	SSA 0600 0546 062 CO	0,938
60,00	55,00	5,3	SSA 0600 0550 053 CO	0,938
60,00	55,90	4,4	SSA 0600 0559 044 CO	0,938
60,70	55,00	5,3	SSA 0607 0550 053 CO	0,938
61,50	56,00	2,8	SSA 0615 0560 028 CO	0,938
63,00	57,40	4,8	SSA 0630 0574 048 CO	0,938
63,50	57,50	5,3	SSA 0635 0575 053 CO	0,938
65,00	59,40	5,0	SSA 0650 0594 050 CO	1,029
65,00	59,60	6,2	SSA 0650 0596 062 CO	1,029
65,00	60,00	5,0	SSA 0650 0600 050 CO	1,029
66,00	60,40	5,1	SSA 0660 0604 051 CO	1,029
69,60	65,00	3,9	SSA 0696 0650 039 CO	1,052
70,00	63,80	6,0	SSA 0700 0638 060 CO	1,052
70,00	64,60	6,2	SSA 0700 0646 062 CO	1,052

D _{H10}	d _{h9}	E _{+0,2}	ART / ITEM	€ cad/each
70,00	65,00	5,0	SSA 0700 0650 050 CO	1,052
72,00	66,40	5,0	SSA 0720 0664 050 CO	1,052
72,60	68,00	3,8	SSA 0726 0680 038 CO	1,052
74,60	70,00	3,8	SSA 0746 0700 038 CO	1,052
75,00	69,40	5,3	SSA 0750 0694 053 CO	1,052
75,00	69,60	6,2	SSA 0750 0696 062 CO	1,052
75,60	70,00	5,3	SSA 0756 0700 053 CO	1,052
76,20	70,20	5,3	SSA 0762 0702 053 CO	1,052
76,60	72,00	4,8	SSA 0766 0720 048 CO	1,052
80,00	73,60	6,4	SSA 0800 0736 064 CO	1,108
80,00	73,80	6,0	SSA 0800 0738 060 CO	1,108
80,00	74,40	5,3	SSA 0800 0744 053 CO	1,108
80,00	74,60	6,2	SSA 0800 0746 062 CO	1,108
80,60	76,00	6,4	SSA 0806 0760 064 CO	1,108
84,70	78,58	4,9	SSA 0847 0786 049 CO	1,108
85,00	78,50	6,4	SSA 0850 0785 064 CO	1,108
85,00	79,40	5,3	SSA 0850 0794 053 CO	1,108
85,00	79,60	6,2	SSA 0850 0796 062 CO	1,108
85,10	80,50	3,9	SSA 0851 0805 039 CO	1,155
88,00	82,40	7,0	SSA 0880 0842 070 CO	1,181
89,00	82,80	6,0	SSA 0890 0828 060 CO	1,208
90,00	80,60	9,0	SSA 0900 0806 090 CO	1,286
90,00	81,40	9,0	SSA 0900 0814 090 CO	1,274
90,00	83,00	6,5	SSA 0900 0830 065 CO	1,266
90,00	84,40	4,8	SSA 0900 0844 048 CO	1,266
92,00	86,50	4,8	SSA 0920 0865 048 CO	1,266
93,00	87,40	5,3	SSA 0930 0874 053 CO	1,266
94,00	89,50	3,8	SSA 0940 0895 038 CO	1,260
95,00	86,40	9,0	SSA 0950 0864 090 CO	1,274
99,00	92,80	6,0	SSA 0990 0928 060 CO	1,418
100,00	90,60	9,0	SSA 1000 0906 090 CO	1,523
100,00	91,40	9,0	SSA 1000 0914 090 CO	1,643
100,00	94,30	5,3	SSA 1000 0943 053 CO	1,643
102,50	96,60	5,5	SSA 1025 0966 055 CO	1,643
104,00	99,50	3,8	SSA 1040 0995 038 CO	1,643
105,00	96,40	9,0	SSA 1050 0964 090 CO	1,643
108,00	98,90	7,2	SSA 1080 0989 072 CO	1,643
110,00	101,40	9,0	SSA 1100 1014 090 CO	1,788
110,00	104,50	4,5	SSA 1100 1045 045 CO	1,788
113,00	107,40	5,3	SSA 1130 1074 053 CO	1,788
115,00	106,40	9,0	SSA 1150 1064 090 CO	1,788
115,00	108,00	4,6	SSA 1150 1080 046 CO	1,788
120,00	111,40	9,0	SSA 1200 1114 090 CO	2,240
125,00	116,40	9,0	SSA 1250 1164 090 CO	2,240
130,00	121,40	9,0	SSA 1300 1214 090 CO	2,303

SSA
FSA
VRA
OR
RAE
AKS
AKC
AKW
AKN

TENUTE STATICHE
STATIC SEALS



SSA

GUARNIZIONE STATICA - STATIC SEAL

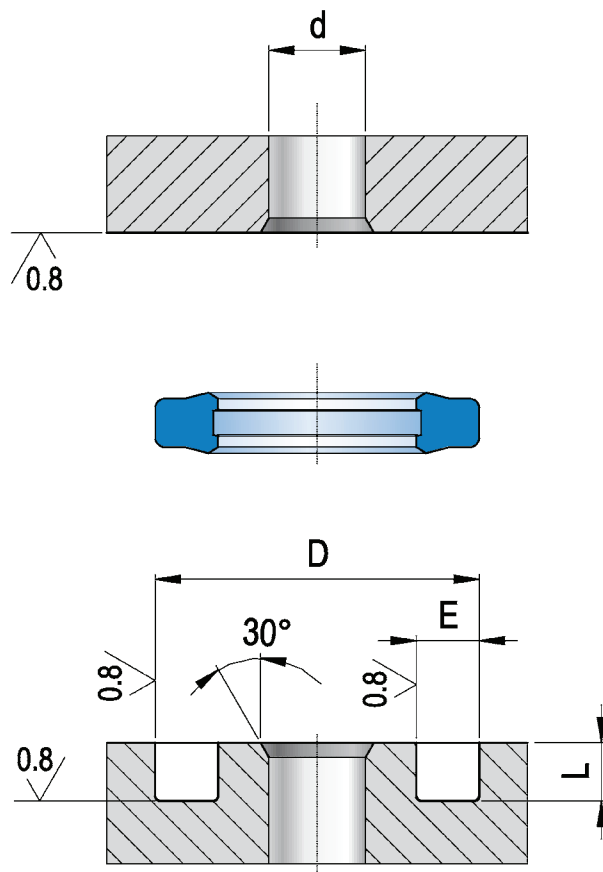
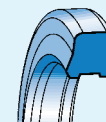
D _{H10}	d _{hg}	E _{+0,2}	ART / ITEM	€ cad/each
135,00	126,40	9,0	SSA 1350 1264 090 C0	2,303
140,00	131,40	9,0	SSA 1400 1314 090 C0	2,365
150,00	138,40	12,4	SSA 1500 1384 124 C0	2,987
160,00	148,40	12,4	SSA 1600 1484 124 C0	3,423
170,00	158,40	12,4	SSA 1700 1584 124 C0	3,659
180,00	168,40	12,4	SSA 1800 1684 124 C0	4,979
190,00	178,40	12,4	SSA 1900 1784 124 C0	5,601
200,00	188,40	12,4	SSA 2000 1884 124 C0	6,149
225,00	213,40	12,4	SSA 2250 2134 124 C0	7,405
250,00	238,40	12,4	SSA 2500 2384 124 C0	8,505
270,00	258,40	12,4	SSA 2700 2584 124 C0	9,602
280,00	268,40	12,4	SSA 2800 2684 124 C0	10,453

Nota: altre dimensioni non a catalogo a richiesta. Consultare il nostro ufficio tecnico.

Remark: please contact our technical dept. for further dimensions not included in the catalogue.

FSA

TENUTA PER FLANGE - SAE FLANGE SEAL



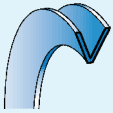
SSA
FSA
 VRA
 OR
 RAE
 AKS
 AKC
 AKW
 AKN

INCH DIM.	d	D	E		L	ART / ITEM	€ cad/each
			min - max				
1/2"	13,0	25,40 - 25,83	3,94 - 4,45		2,79 - 2,92	FSA 0500 CO	0,670
3/4"	19,0	31,75 - 31,88	3,94 - 4,45		2,79 - 2,92	FSA 0750 CO	0,708
1"	25,0	39,62 - 39,75	3,94 - 4,45		2,79 - 2,92	FSA 1000 CO	0,849
1" 1/4"	32,0	44,45 - 44,58	3,94 - 4,45		2,79 - 2,92	FSA 1250 CO	0,905
1" 1/2"	38,0	53,72 - 53,98	3,94 - 4,45		2,79 - 2,92	FSA 1500 CO	1,111
2"	51,0	63,25 - 63,50	3,94 - 4,45		2,79 - 2,92	FSA 2000 CO	1,222
2" 1/2"	63,0	76,45 - 76,70	3,94 - 4,45		2,79 - 2,92	FSA 2500 CO	1,350

Nota: altre dimensioni non a catalogo a richiesta. Consultare il nostro ufficio tecnico.

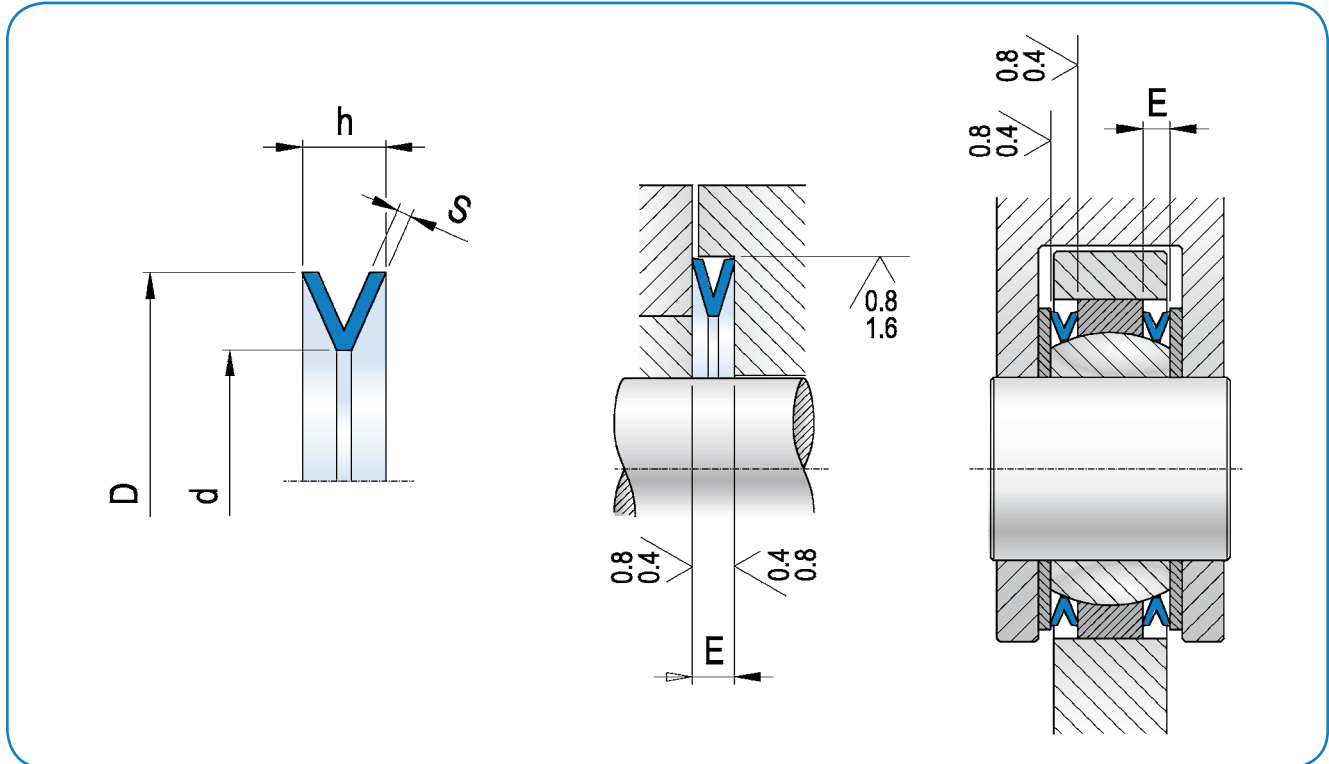
Remark: please contact our technical dept. for further dimensions not included in the catalogue.

TENUTE STATICHE
 STATIC SEALS



VRA

GUARNIZIONE A V - V-SEAL



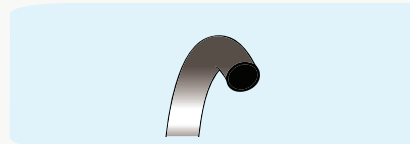
D	d	h	ART / ITEM	€ cad/each
27,5	22,5	4,0	VRA 0275 0225 040 B0	1,449
38,5	31,0	4,5	VRA 0385 0310 045 B0	1,502
43,0	36,0	5,0	VRA 0430 0360 050 B0	2,032
51,0	42,0	6,0	VRA 0510 0420 060 B0	2,191
57,5	47,5	7,0	VRA 0575 0475 070 B0	2,388
59,0	50,5	5,0	VRA 0590 0505 050 B0	2,388
64,0	54,0	7,0	VRA 0640 0540 070 B0	2,510
71,0	59,0	7,0	VRA 0710 0590 070 B0	2,699
73,0	59,0	7,0	VRA 0730 0590 070 B0	2,730
80,0	65,0	7,0	VRA 0800 0650 070 B0	2,811
86,0	70,0	9,0	VRA 0860 0700 090 B0	3,035
86,0	71,0	9,0	VRA 0860 0710 090 B0	3,035

D	d	h	ART / ITEM	€ cad/each
88,8	70,0	8,0	VRA 0888 0700 080 B0	3,150
95,0	85,0	6,0	VRA 0950 0850 060 B0	3,425
100,0	82,0	9,0	VRA 1000 0820 090 B0	3,530
105,0	90,0	9,0	VRA 1050 0900 090 B0	3,717
112,0	96,0	10,0	VRA 1120 0960 100 B0	4,045
121,0	103,0	12,0	VRA 1210 1030 120 B0	4,780
142,0	116,0	16,5	VRA 1420 1160 165 B0	6,195
186,0	160,0	16,0	VRA 1860 1600 160 B0	8,390

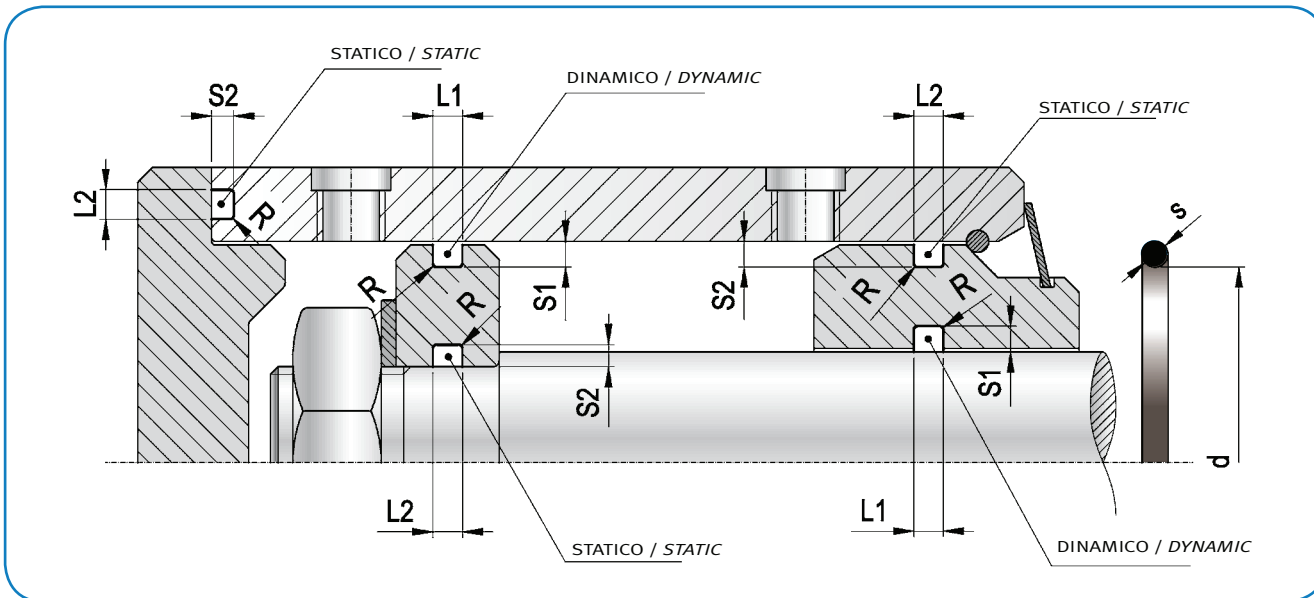
Nota: altre dimensioni non a catalogo a richiesta. Consultare il nostro ufficio tecnico.

Remark: please contact our technical dept. for further dimensions not included in the catalogue.

O-Rings



SSA
 FSA
 VRA
 OR
 RAE
 AKS
 AKC
 AKW
 AKN



S sezione section	S1 sezione dinamica dynamic section	L1 sezione dinamica dynamic section	S2 sezione statica static section	L2 sezione statica static section	R raggio radius
1,78 ± 0,08	1,45 ± 0,05	2,40 ± 0,20	1,30 ± 0,05	2,60 ± 0,20	0,30 ± 0,10
2,62 ± 0,09	2,25 ± 0,05	3,60 ± 0,20	2,00 ± 0,05	3,80 ± 0,20	0,40 ± 0,15
3,53 ± 0,10	3,10 ± 0,05	4,80 ± 0,20	2,70 ± 0,05	5,00 ± 0,20	0,50 ± 0,20
5,34 ± 0,15	4,70 ± 0,05	7,10 ± 0,20	4,30 ± 0,05	7,30 ± 0,20	0,60 ± 0,25
6,99 ± 0,15	6,10 ± 0,05	9,50 ± 0,20	5,80 ± 0,05	9,70 ± 0,20	1,00 ± 0,30

DIMENSIONI SEDE GROOVE DIMENSION				S	h
	E	E1	E2		
	2,5	4,0	5,5	1,78	1,45
	3,5	5,0	6,5	2,62	2,25
	4,5	6,0	7,5	3,53	3,10
	7,0	9,0	10,5	5,34	4,70
	9,5	12,0	14,5	6,99	6,10

TENUTE STATICHE
 STATIC SEALS

Anelli antiestrusione Antiextrusion rings

RAE	AKS	AKC	AKW	AKN
TPE 55 shore D	PTFE	PTFE	PTFE	NBR 90 Shore A

Sez Corda O-Ring O-Ring CS	t				
	RAE	AKS	AKC	AKW	AKN
1,78	1,4	1,23	1,27	1,5	1,14
2,62	1,4	1,23	1,27	1,5	1,14
3,53	1,4	1,23	1,27	1,5	1,02
5,34	1,7	1,78	1,85	2,0	1,52
6,99	2,5	2,67	2,74	2,5	2,44

Esempio richiesta d'ordine

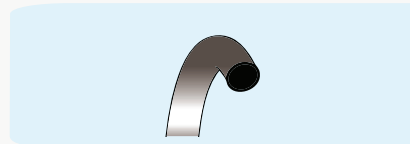
Per un o-ring 150:

Example for order request

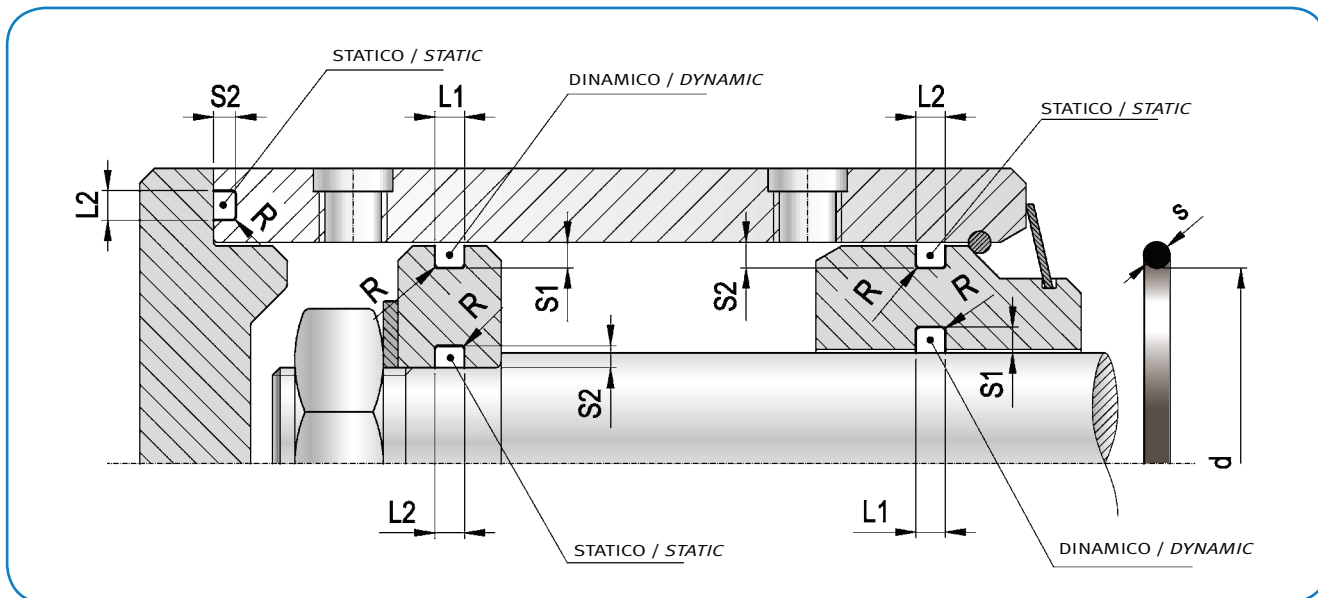
For one o-ring 150:

Rif. anello antiestrusione		rif. O-Ring		
tipo type	materiale material	diametro diameter	rif. AS-BS AS-BS ref.	rif. ITA ITA ref.
RAE	TPE 55 Shore D	72,96 ± 0,64	150	3287
AKS	PTFE	72,96 ± 0,64	150	3287
AKC	PTFE	72,96 ± 0,64	150	3287
AKW	PTFE	72,96 ± 0,64	150	3287
AKN	NBR 90 Shore A	72,96 ± 0,64	150	3287

O-Rings



SSA
FSA
VRA
OR
RAE
AKS
AKC
AKW
AKN

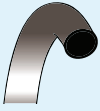


S	S1	L1	S2	L2	R
1,78 ± 0,08	1,45 ± 0,05	2,40 ± 0,20	1,30 ± 0,05	2,60 ± 0,20	0,30 ± 0,10

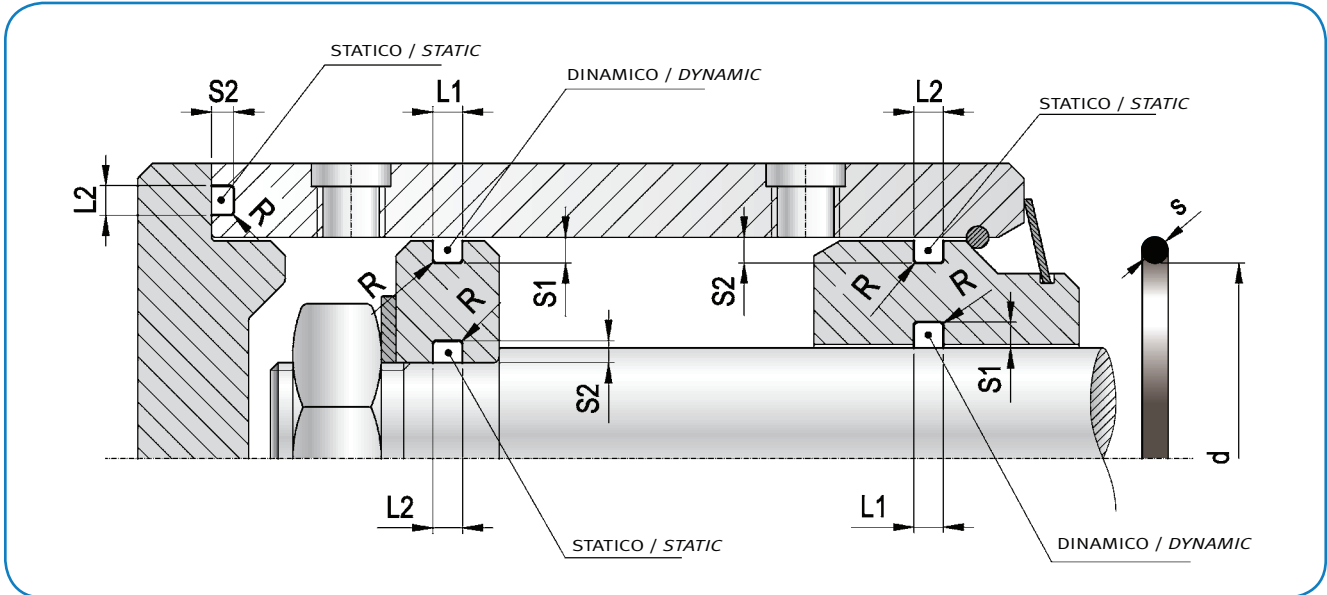
d	toll ±	AS-BS o-ring	ITA altro rif. alternati-	NBR 70 € cad/ each	RAE € cad/ each
1,78	0,13	004	2007	0,0171	0,538
2,57	0,14	005	2010	0,0171	0,538
2,90	0,14	006	2012	0,0171	0,538
3,68	0,14	007	2015	0,0171	0,538
4,47	0,14	008	2018	0,0176	0,538
5,28	0,15	009	20,19	0,0182	0,538
6,07	0,15	010	2025	0,0188	0,538
6,75	0,16	610	106	0,0200	0,538
7,65	0,16	011	2031	0,0200	0,572
8,73	0,17	611	108	0,0211	0,572
9,25	0,17	012	2037	0,0211	0,572
10,82	0,18	013	2043	0,0216	0,572
11,11	0,18	806	114	0,0222	0,572
12,42	0,19	014	2050	0,0228	0,572
14,00	0,20	015	2056	0,0239	0,635
15,60	0,20	016	2062	0,0268	0,635
17,17	0,21	017	2068	0,0296	0,635
18,77	0,22	018	2075	0,0324	0,635
20,35	0,23	019	2081	0,0348	0,667
21,95	0,24	020	2087	0,0387	0,667
23,52	0,24	021	2093	0,0416	0,667
25,12	0,26	022	2100	0,0444	0,696
26,07	0,28	023	2106	0,0473	0,696
28,30	0,29	024	2112	0,0512	0,709

d	toll ±	AS-BS o-ring	ITA altro rif. alternati-	NBR 70 € cad/ each	RAE € cad/ each
29,87	0,29	025	2118	0,0552	0,709
31,47	0,31	026	2125	0,0575	0,709
33,05	0,32	027	2131	0,0603	0,757
34,65	0,33	028	2137	0,0660	0,757
37,82	0,37	029	2150	0,0740	0,803
41,00	0,39	030	2162	0,0769	0,803
44,17	0,42	031	2175	0,0928	0,840
47,35	0,44	032	2187	0,1059	0,877
50,52	0,47	033	2200	0,1116	0,910
53,70	0,50	034	2212	0,1224	0,877
56,87	0,52	035	2225	0,1304	0,877
60,05	0,55	036	2237	0,1412	0,982
63,22	0,58	037	2250	0,1560	0,982
66,40	0,59	038	2262	0,1668	0,982
69,57	0,63	039	2275	0,1777	0,982
72,75	0,64	040	2287	0,1856	1,045
75,92	0,67	041	2300	0,2084	1,108
82,27	0,71	042	2325	0,2312	1,139
88,62	0,77	043	2350	0,2499	1,161
94,97	0,81	044	2375	0,2715	1,182
101,32	0,87	045	2400	0,2915	1,486
107,67	0,91	046	2425	0,3212	1,661
114,02	0,95	047	2450	0,3497	1,938
120,37	1,00	048	2475	0,4072	1,938

TENUTE STATICHE
STATIC SEALS



O-Rings

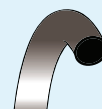


S	S1	L1	S2	L2	R
2,62 ± 0,09	2,25 ± 0,05	3,60 ± 0,2	2,00 ± 0,05	3,80 ± 0,2	0,4 ± 0,15

d	toll ±	AS-BS o-ring	ITA altro rif. alternativa	NBR 70 € cad/ each	RAE € cad/ each
9,13	0,17	109	-	0,0228	0,538
9,19	0,17	110	3037	0,0200	0,604
9,92	0,17	613	112	0,0200	0,604
10,77	0,18	111	3043	0,0200	0,604
11,91	0,19	614	115	0,0216	0,604
12,37	0,19	112	3050	0,0228	0,604
13,10	0,19	615	117	0,0239	0,604
13,94	0,19	113	3056	0,0239	0,604
15,08	0,20	616	119	0,0256	0,635
15,54	0,20	114	3062	0,0268	0,635
15,88	0,20	809	121	0,0296	0,635
17,21	0,21	115	3068	0,0296	0,635
17,86	0,21	617	123	0,0324	0,635
18,72	0,22	116	3075	0,0336	0,635
20,29	0,23	117	3081	0,0348	0,635
20,63	0,23	812	128	0,0376	0,635
21,89	0,23	118	3087	0,0387	0,667
22,22	0,24	813	130	0,0404	0,667
23,47	0,24	119	3093	0,0416	0,709
23,81	0,25	814	132	0,0434	0,709
25,07	0,26	120	3100	0,0449	0,709

d	toll ±	AS-BS o-ring	ITA altro rif. alternativa	NBR 70 € cad/ each	RAE € cad/ each
26,64	0,28	121	3106	0,0473	0,740
28,24	0,29	122	3112	0,0495	0,740
29,82	0,29	123	3118	0,0524	0,740
31,42	0,31	124	3123	0,0552	0,757
32,99	0,32	125	3131	0,0575	0,803
34,60	0,33	126	3137	0,0603	0,803
36,14	0,35	127	3143	0,0632	0,803
37,77	0,37	128	3150	0,0660	0,803
39,34	0,38	129	3156	0,0700	0,803
40,95	0,39	130	3162	0,0734	0,803
42,52	0,40	131	3168	0,0769	0,803
44,12	0,42	132	3175	0,0809	0,803
45,69	0,43	133	3181	0,0849	0,877
47,30	0,44	134	3187	0,0888	0,877
48,90	0,46	135	3193	0,0928	0,877
50,47	0,47	136	3200	0,0968	0,877
52,07	0,48	137	3206	0,1008	0,877
53,65	0,50	138	3212	0,1048	0,877
55,25	0,51	139	3218	0,1087	0,877
56,82	0,52	140	3225	0,1128	0,877
58,42	0,54	141	3231	0,1168	0,982

O-Rings



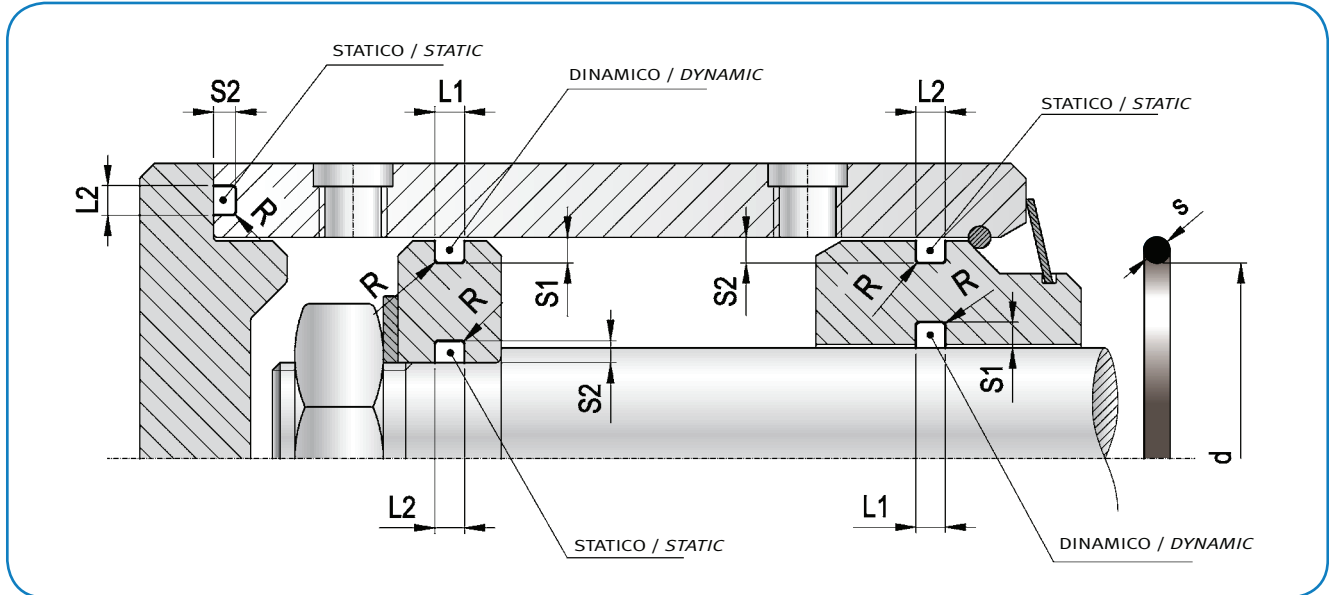
d	toll ±	AS-BS o-ring	ITA altro rif. alterna- tive	NBR 70 € cad/ each	RAE € cad/ each
60,00	0,55	142	3237	0,1208	0,982
61,60	0,56	143	3243	0,1247	0,982
63,17	0,58	144	3250	0,1293	0,982
64,77	0,58	145	3256	0,1332	0,982
66,35	0,59	146	3262	0,1372	0,982
67,95	0,61	147	3268	0,1412	0,982
69,52	0,63	148	3275	0,1452	0,982
71,12	0,64	149	3281	0,1492	0,982
72,96	0,64	150	3287	0,1612	1,045
75,87	0,67	151	3300	0,1748	1,108
82,22	0,71	152	3325	0,2044	1,139
88,57	0,77	153	3350	0,2312	1,161
94,92	0,81	154	3375	0,2620	1,182
101,27	0,87	155	3400	0,3023	1,486
107,62	0,91	156	3425	0,3467	1,661
113,97	0,95	157	3450	0,3964	1,938
120,33	1,00	158	3475	0,4339	1,938
126,67	1,05	159	3500	0,4652	1,938

d	toll ±	AS-BS o-ring	ITA altro rif. alterna- tive	NBR 70 € cad/ each	RAE € cad/ each
133,00	1,10	160	3525	0,4902	1,938
139,38	1,13	161	3550	0,5324	1,938
145,72	1,20	162	3575	0,5779	1,938
152,07	1,24	163	3600	0,6127	1,995
158,43	1,27	164	3625	0,6463	1,995
164,78	1,31	165	3650	0,6816	1,995
171,13	1,38	166	3675	0,7254	1,995
177,84	1,41	167	3700	0,7550	1,995
183,83	1,44	168	3725	0,7925	2,054
190,18	1,51	169	3750	0,8199	2,054
196,53	1,55	170	3775	0,8615	2,054
202,88	1,59	171	3800	0,9031	2,390
209,23	1,63	172	3825	0,9634	2,390
215,58	1,67	173	3850	1,0050	2,642
221,93	1,71	174	3875	1,0512	2,642
228,28	1,75	175	3900	1,0858	2,642

SSA
FSA
VRA
OR
RAE
AKS
AKC
AKW
AKN



O-Rings

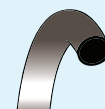


S	S1	L1	S2	L2	R
3,53 ± 0,1	3,10 ± 0,05	4,80 ± 0,2	2,70 ± 0,05	5,00 ± 0,2	0,5 ± 0,2

d	toll ±	AS-BS o-ring	ITA altro rif. alternativa	NBR 70 € cad/ each	RAE € cad/ each
18,64	0,22	210	4075	0,0416	0,709
20,22	0,23	211	4081	0,0449	0,709
21,82	0,24	212	4087	0,0484	0,709
23,40	0,24	213	4093	0,0512	0,709
24,99	0,25	214	4100	0,0534	0,709
25,80	0,26	618	134	0,0564	0,709
26,58	0,28	215	4106	0,0592	0,709
28,17	0,29	216	4112	0,0621	0,709
29,75	0,29	217	4118	0,0644	0,803
31,34	0,31	218	4125	0,0671	0,803
32,92	0,32	219	4131	0,0700	0,803
34,52	0,34	220	4137	0,0723	0,803
36,09	0,35	221	4143	0,0780	0,803
37,69	0,37	222	4150	0,0832	0,803
39,69	0,38	824	144	0,0860	0,803
40,87	0,39	223	4162	0,0900	0,803
41,28	0,40	825	146	0,0928	0,877
42,86	0,41	826	147	0,0957	0,877
44,04	0,42	224	4175	0,0979	0,877
44,45	0,42	827	149	0,1008	0,877
46,04	0,43	828	150	0,1036	0,877

d	toll ±	AS-BS o-ring	ITA altro rif. alternativa	NBR 70 € cad/ each	RAE € cad/ each
47,22	0,44	225	4187	0,1076	0,982
47,63	0,45	829	152	0,1116	0,982
49,21	0,46	830	153	0,1145	0,982
50,39	0,47	226	4200	0,1208	0,982
50,80	0,47	831	155	0,1236	0,982
52,39	0,48	832	156	0,1264	0,982
53,57	0,50	227	4212	0,1276	0,982
53,98	0,50	833	158	0,1293	0,982
55,56	0,51	834	159	0,1304	1,045
56,74	0,52	228	4225	0,1316	1,045
57,15	0,54	835	161	0,1355	1,045
58,74	0,54	836	162	0,1394	1,045
59,92	0,54	229	4237	0,1424	1,045
60,33	0,55	837	164	0,1463	1,045
61,91	0,56	838	165	0,1492	1,045
63,09	0,58	230	4250	0,1531	1,045
63,50	0,58	839	167	0,1544	1,045
65,09	0,59	840	168	0,1560	1,045
66,27	0,59	231	4262	0,1600	1,045
66,68	0,59	841	170	0,1600	1,045
68,26	0,61	842	171	0,1629	1,118

O-Rings

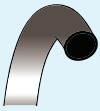


d	toll ±	AS-BS o-ring	ITA altro rif. alterna- tive	NBR 70 € cad/ each	RAE € cad/ each
69,44	0,63	232	4275	0,1652	1,118
69,85	0,63	843	173	0,1680	1,118
71,44	0,64	844	174	0,1707	1,118
72,62	0,64	233	4287	0,1731	1,118
73,03	0,66	845	176	0,1777	1,118
74,61	0,66	846	177	0,1815	1,118
75,79	0,67	234	4300	0,1839	1,182
78,97	0,69	235	4312	0,1908	1,182
82,14	0,71	236	4325	0,1965	1,182
85,32	0,75	237	4337	0,2028	1,182
88,49	0,77	238	4350	0,2067	1,256
91,67	0,79	239	4362	0,2123	1,256
94,84	0,81	240	4375	0,2191	1,256
98,02	0,84	241	4387	0,2300	1,256
101,19	0,87	242	4400	0,2499	1,361
104,37	0,89	243	4412	0,2607	1,361
107,54	0,91	244	4425	0,2675	1,361
110,72	0,93	245	4437	0,2756	1,361
113,89	0,95	246	4450	0,2886	1,497
117,07	0,97	247	4462	0,3172	1,497
120,24	1,00	248	4475	0,3371	1,497
123,42	1,03	249	4487	0,3558	1,497
126,59	1,05	250	4500	0,3804	1,634
129,77	1,08	251	4512	0,4004	1,634
132,94	1,10	252	4525	0,4082	1,634
136,12	1,13	253	4537	0,4287	1,634
139,29	1,13	254	4550	0,4475	1,634

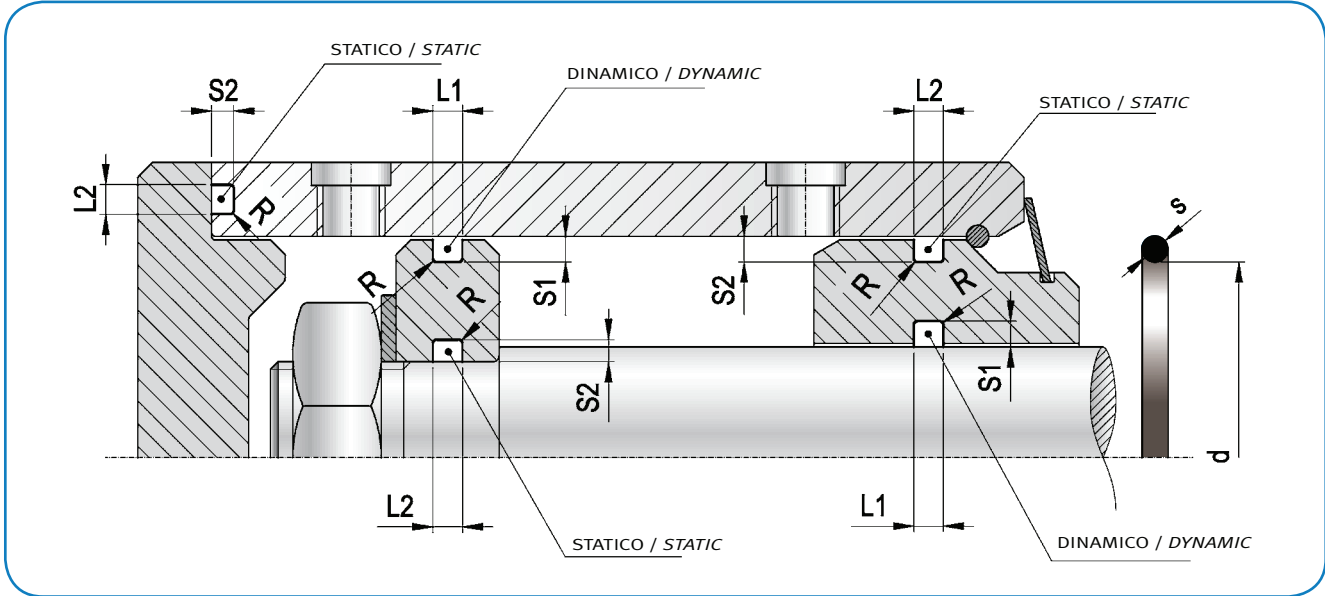
d	toll ±	AS-BS o-ring	ITA altro rif. alterna- tive	NBR 70 € cad/ each	RAE € cad/ each
142,47	1,17	255	4562	0,4635	1,812
145,64	1,20	256	4575	0,4801	1,812
148,82	1,20	257	4587	0,5177	1,812
151,99	1,24	258	4600	0,5426	1,875
158,34	1,27	259	4625	0,5751	1,875
164,69	1,31	260	4650	0,6246	2,054
171,04	1,38	261	4675	0,0644	2,054
177,39	1,41	262	4700	0,6787	2,054
183,74	1,44	263	4725	0,7379	2,390
190,09	1,51	264	4750	0,7824	2,390
196,44	1,55	265	4775	0,8182	2,642
202,79	1,59	266	4800	0,8399	2,642
209,14	1,63	267	4825	0,8762	2,642
215,49	1,67	268	4850	0,8933	2,736
221,84	1,71	269	4875	0,9309	2,736
228,19	1,75	270	4900	0,9675	2,736
234,54	1,79	271	4925	0,9919	3,386
240,89	1,83	272	4950	1,0590	3,615
247,24	1,88	273	4975	1,0779	
253,59	1,93	274	41000	1,0949	
266,29	2,02	275	41050	1,2026	
278,99	2,08	276	41100	1,3022	
291,69	2,21	277	41150	1,4258	
304,39	2,25	278	41200	1,6324	
329,79	2,43	279	41300	1,8625	
355,19	2,62	280	41400	2,1044	
380,59	2,76	281	41500	2,2776	

SSA
FSA
VRA
OR
RAE
AKS
AKC
AKW
AKN

TENUTE STATICHE
STATIC SEALS



O-Rings

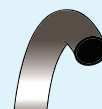


S	S1	L1	S2	L2	R
5,34 ± 0,13	4,70 ± 0,05	7,10 ± 0,2	4,30 ± 0,05	7,30 ± 0,2	0,6 ± 0,25

d	toll ±	AS-BS o-ring	ITA altro rif. alterna- tive	NBR 70 € cad/ each	RAE € cad/ each
37,47	0,36	325	6150	0,1344	1,118
40,65	0,39	326	6162	0,1424	1,118
43,82	0,42	327	6175	0,1503	1,118
47,00	0,44	328	6187	0,1583	1,118
50,16	0,47	329	6200	0,1668	1,118
53,34	0,50	330	6212	0,1777	1,118
56,52	0,52	331	6225	0,1908	1,118
59,69	0,54	332	6237	0,2015	1,118
62,87	0,56	333	6250	0,2153	1,182
66,04	0,59	334	6262	0,2312	1,182
69,22	0,63	335	6275	0,2471	1,182
72,39	0,64	336	6287	0,2552	1,182
74,63	0,66	619	178	0,2660	1,256
75,57	0,67	337	6300	0,2768	1,256
78,74	0,69	338	6312	0,2904	1,256
79,77	0,69	620	181	0,2983	1,324
81,92	0,71	339	6325	0,3074	1,392
85,09	0,75	340	6337	0,3222	1,392
88,27	0,77	341	6350	0,3371	1,392
89,69	0,77	621	185	0,3439	1,392
91,44	0,79	342	6362	0,3480	1,571

d	toll ±	AS-BS o-ring	ITA altro rif. alterna- tive	NBR 70 € cad/ each	RAE € cad/ each
94,62	0,81	343	6375	0,3598	1,571
97,79	0,84	344	6387	0,3724	1,571
100,00	0,87	622	189	0,3855	1,571
100,97	0,87	345	6400	0,3991	1,739
104,14	0,89	346	6412	0,4043	1,739
107,32	0,91	347	6425	0,4082	1,739
109,50	0,93	623	193	0,4140	1,747
110,05	0,93	348	6437	0,4180	1,949
113,67	0,95	349	6450	0,4230	2,012
116,84	0,97	350		0,4372	2,012
117,50	0,97	860	199	0,4380	2,012
120,02	1,00	351		0,4549	2,253
120,65	1,00	861	201	0,4556	2,253
123,20	1,03	352		0,4686	2,253
123,80	1,03	862	203	0,4692	2,253
126,37	1,05	353		0,4965	2,253
127,00	1,05	863	206	0,4971	2,253
129,54	1,08	354		0,5210	2,253
130,20	1,08	864	208	0,5216	2,390
132,72	1,10	355		0,5358	2,390
133,40	1,10	865	210	0,5363	2,390

O-Rings



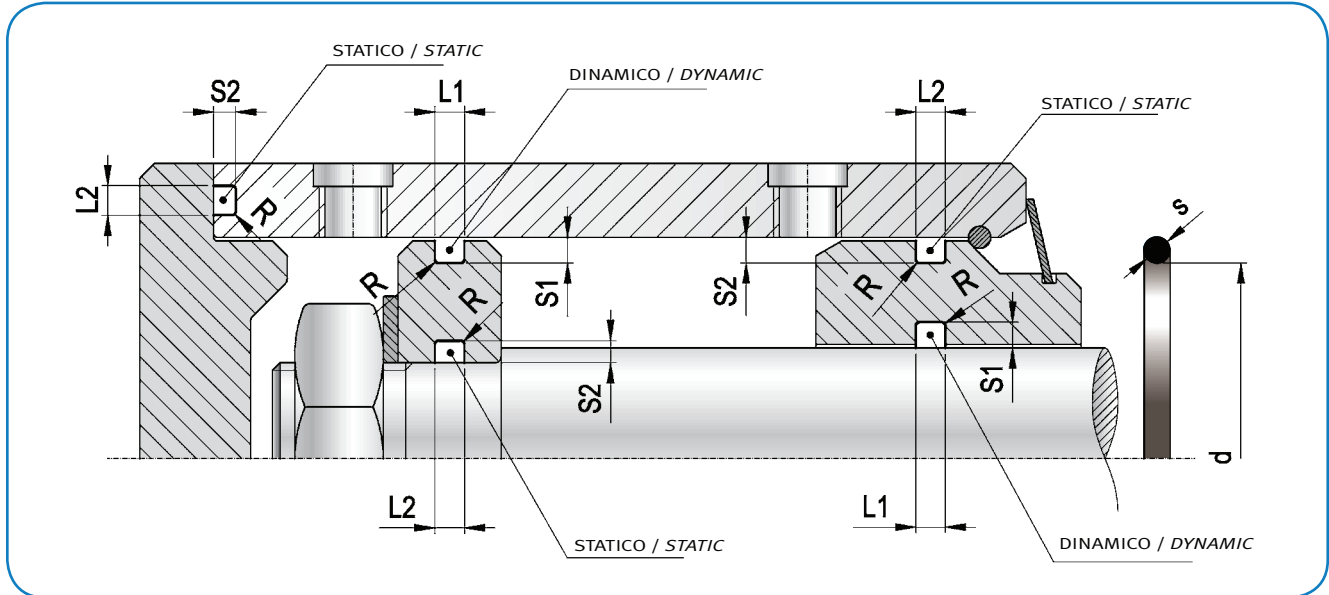
d	toll ±	AS-BS o-ring	ITA altro rif. alterna- tive	NBR 70 € cad/ each	RAE € cad/ each
135,90	1,10	356		0,5489	2,390
136,50	1,13	866	213	0,5495	2,390
139,07	1,13	357		0,5683	2,390
139,70	1,13	867	215	0,5700	2,390
142,24	1,17	358		0,5910	2,390
142,90	1,17	868	217	0,5910	2,390
145,42	1,20	359		0,6150	2,390
146,10	1,20	869	219	0,6155	2,707
148,60	1,20	360		0,6411	2,707
149,20	1,20	870	221	0,6423	2,707
151,77	1,24	361	6600	0,7715	2,707
158,12	1,27	362	6625	0,8399	2,947
164,47	1,31	363	6645	0,9031	3,233
170,82	1,38	364	6670	0,9475	3,166
177,17	1,41	365	6700	0,9770	3,264
183,52	1,44	366	6720	1,0050	3,568
189,87	1,48	367	6745	1,0346	3,822
196,22	1,55	368	6670	1,1274	3,849
202,57	1,59	369	6700	1,1679	3,987
208,92	1,63	370	6720	1,2066	4,119
215,27	1,67	371	6745	1,2658	4,321
221,62	1,71	372	6775	1,3129	4,482
227,97	1,75	373	6795	1,3278	4,533
234,32	1,79	374	6820	1,3437	4,587

d	toll ±	AS-BS o-ring	ITA altro rif. alterna- tive	NBR 70 € cad/ each	RAE € cad/ each
240,67	1,83	375	6850	1,3774	
247,02	1,88	376	6870	1,4110	
253,37	1,93	377	6895	1,4434	
266,07	2,02	378	6920	1,4957	
278,77	2,08	379	6945	1,6313	
291,47	2,21	380	6975	1,7737	
304,17	2,25	381	6995	1,9365	
329,57	2,43	382	61050	2,1489	
354,97	2,56	383	61100	2,4347	
380,37	2,76	384	61150	2,8691	
405,26	2,91	385	61200	3,1995	
430,66	3,07	386	61300	3,4226	
456,06	3,22	387	61400	4,1873	
481,40	3,37	388	61500	5,2624	
506,80	3,54	389	61600	5,6341	
532,20	3,72	390	61700	6,2782	
557,60	3,81	391	61800	7,0116	
582,68	4,05	392	61900	7,8263	
608,08	4,13	393	62000	9,1820	
633,48	4,34	394	62100	10,7957	
658,88	4,46	395		12,6599	

SSA
FSA
VRA
OR
RAE
AKS
AKC
AKW
AKN



O-Rings

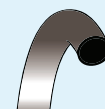


S	S1	L1	S2	L2	R
6,99±0,15	6,1±0,05	9,5±0,2	5,80±0,05	9,7±0,2	1±0,3

d	toll ±	AS-BS o-ring	ITA altro rif. alternativa	NBR 70 € cad/ each	RAE € cad/ each
113,67	0,95	425	4437	0,6423	2,428
114,70	0,95	624	197	0,6463	2,443
116,84	0,97	426	8462	0,6560	2,480
120,02	1,00	427	8475	0,6599	2,494
123,20	1,03	428	8487	0,7095	2,533
124,60	1,03	625	204	0,7254	2,514
126,37	1,05	429	8500	0,7391	2,561
129,54	1,08	430	8512	0,7658	2,653
132,72	1,10	431	8525	0,7915	2,741
134,50	1,10	626	211	0,8023	2,741
135,90	1,10	432	8537	0,8171	2,741
139,07	1,13	433	8550	0,8239	2,741
142,24	1,17	434	8562	0,8399	2,794
145,42	1,20	435	8575	0,8575	2,898
148,60	1,20	436	8587	0,8694	2,892
151,77	1,24	437	8600	0,8832	2,938
155,60	1,27	872	223	0,9122	3,045
158,12	1,27	438	8625	0,9299	3,215

d	toll ±	AS-BS o-ring	ITA altro rif. alternativa	NBR 70 € cad/ each	RAE € cad/ each
159,50	1,27	627	225	0,9475	3,233
161,90	1,31	874	226	0,9675	3,233
164,47	1,31	439	8650	0,9879	3,233
166,70	1,34	628	228	1,0078	3,260
168,30	1,34	876	229	1,0295	3,288
170,82	1,38	440	8675	1,0534	3,318
174,60	1,38	878	231	1,0751	3,381
177,17	1,41	441	8700	1,0949	3,381
181,00	1,44	880	233	1,1285	3,419
183,52	1,44	442	8725	1,1394	3,602
187,30	1,48	882	235	1,1502	3,602
189,87	1,48	443	8750	1,1621	3,602
193,70	1,51	884	237	1,1718	3,691
196,22	1,55	444	8775	1,1878	4,001
200,00	1,55	886	239	1,2014	4,001
202,57	1,59	445	8800	1,2163	4,001
208,92	1,63	674	8825	1,2310	4,265
215,27	1,67	446	8850	1,2766	4,545

O-Rings



d	toll ±	AS-BS o-ring	ITA altro rif. alterna- tive	NBR 70 € cad/ each	RAE € cad/ each
221,62	1,71	676	8875	1,3238	4,587
227,97	1,75	447	8900	1,3706	4,749
234,32	1,79	678	8925	1,4190	5,458
240,67	1,83	448	8950	1,4713	
247,00	1,88	680	8975	1,5454	
253,30	1,93	449	81000	1,6262	
259,70	1,98	682	81025	1,7065	
266,07	2,02	450	81050	1,7806	
272,40	2,08	684	81075	1,8613	
278,77	2,08	451	81100	1,9121	
285,10	2,14	686	81125	1,9861	
291,47	2,21	452	81150	2,0799	
297,80	2,21	688	81175	2,1596	
304,17	2,25	453	81200	2,1039	
316,87	2,37	454	81250	2,3448	
329,57	2,43	455	81300	2,4604	
342,27	2,49	456	81350	2,5800	
354,97	2,56	457	81400	2,7012	

d	toll ±	AS-BS o-ring	ITA altro rif. alterna- tive	NBR 70 € cad/ each	RAE € cad/ each
367,67	2,68	458	81450	2,7952	
380,37	2,76	459	81500	2,9495	
393,07	2,84	460	81550	3,1579	
405,26	2,91	461	81600	3,6351	
417,96	2,99	462	81650	3,8969	
430,66	3,07	463	81700	4,1793	
443,36	3,15	464	81750	4,5887	
456,06	3,22	465	81800	4,9987	
468,76	3,30	466	81850	5,3346	
481,46	3,37	467	81900	5,6369	
494,16	3,45	468	81950	6,3020	
506,86	3,54	469	82000	6,5577	
532,26	3,72	470	82100	6,8060	
557,66	3,81	471	82200	7,5183	

SSA
FSA
VRA
OR
RAE
AKS
AKC
AKW
AKN



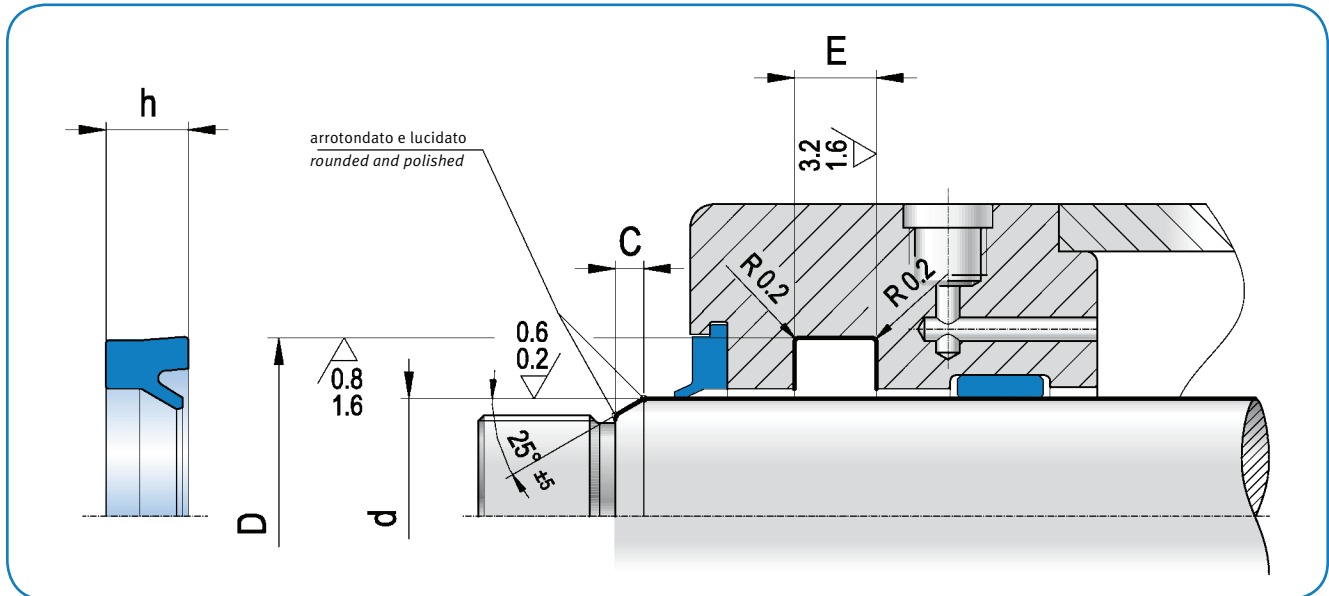
Sistemi di tenuta per pneumatica *Pneumatic sealing systems*





RSP

TENUTA STELO PER PNEUMATICA - ROD SEAL FOR PNEUMATIC

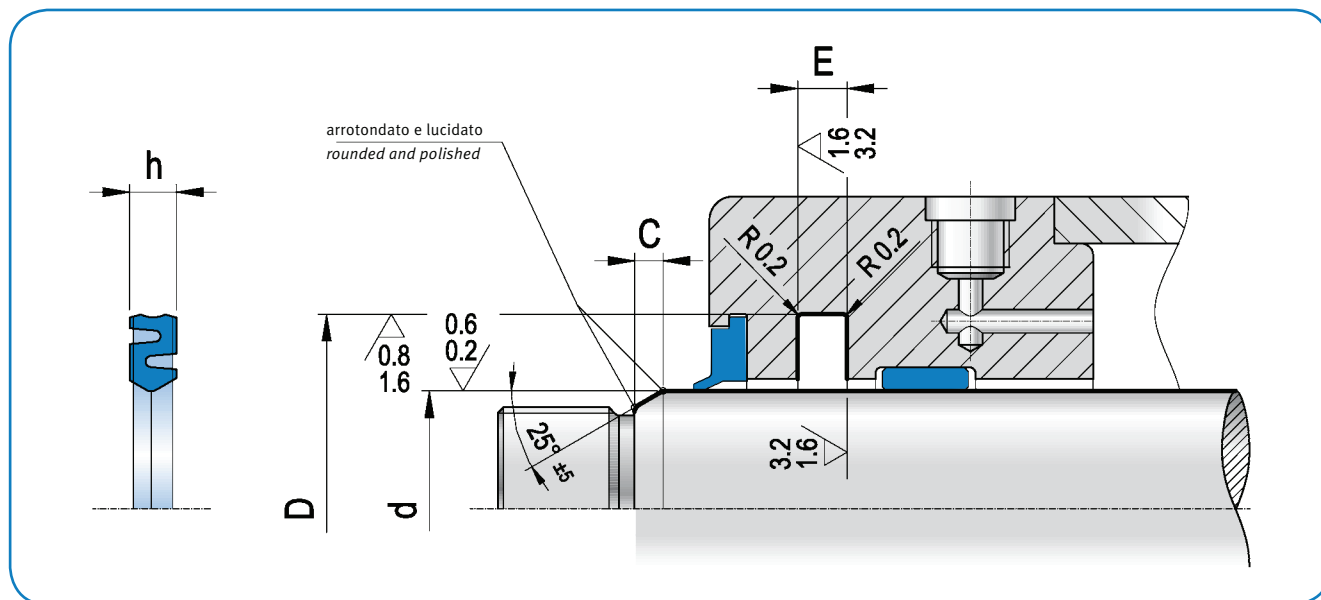
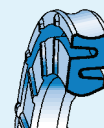


d _{f9}	D _{H10}	h	ART / ITEM	€ cad/each
3,0	6,0	2,5	RSP 0030 0060 025 B0	0,584
4,0	8,0	3,0	RSP 0040 0080 030 B0	0,584
5,0	9,0	2,5	RSP 0050 0090 025 B0	0,584
6,0	10,0	3,0	RSP 0060 0100 030 B0	0,584
6,0	11,0	3,0	RSP 0060 0110 030 B0	0,584
6,0	12,0	4,0	RSP 0060 0120 040 B0	0,632
7,0	13,0	4,0	RSP 0070 0130 040 B0	0,632
7,0	14,0	3,5	RSP 0070 0140 035 B0	0,632
8,0	14,0	4,0	RSP 0080 0140 040 B0	0,632
8,0	14,0	4,5	RSP 0080 0140 045 B0	0,632
8,0	16,0	4,5	RSP 0080 0160 045 B0	0,666
10,0	16,0	4,5	RSP 0100 0160 045 B0	0,666
10,0	18,0	5,5	RSP 0100 0180 055 B0	0,733
11,0	19,0	4,0	RSP 0110 0190 040 B0	0,733
12,0	20,0	5,5	RSP 0120 0200 055 B0	0,733
12,0	24,0	6,0	RSP 0120 0240 060 B0	0,746
14,0	22,0	5,5	RSP 0140 0220 055 B0	0,773
16,0	22,0	3,0	RSP 0160 0220 030 B0	0,774
16,0	24,0	5,5	RSP 0160 0240 055 B0	0,773
18,0	26,0	5,5	RSP 0180 0260 055 B0	0,773
20,0	28,0	5,5	RSP 0200 0280 055 B0	0,806
22,0	28,0	4,5	RSP 0220 0280 045 B0	0,806
22,0	30,0	5,5	RSP 0220 0300 055 B0	0,833
25,0	33,0	5,5	RSP 0250 0330 055 B0	0,853
28,0	36,0	5,5	RSP 0280 0360 055 B0	0,886
28,0	38,0	7,0	RSP 0280 0380 070 B0	0,904
30,0	38,0	5,5	RSP 0300 0380 055 B0	0,981

d _{f9}	D _{H10}	h	ART / ITEM	€ cad/each
30,0	40,0	7,0	RSP 0300 0400 070 B0	1,021
32,0	40,0	5,5	RSP 0320 0400 055 B0	1,021
35,0	43,0	8,0	RSP 0350 0430 080 B0	1,041
35,0	45,0	7,0	RSP 0350 0450 070 B0	1,041
35,0	45,0	10,0	RSP 0350 0450 100 B0	1,050
36,0	46,0	7,0	RSP 0360 0460 070 B0	1,041
40,0	48,0	5,5	RSP 0400 0480 055 B0	1,122
40,0	50,0	7,0	RSP 0400 0500 070 B0	1,141
45,0	55,0	7,0	RSP 0450 0550 070 B0	1,199
50,0	60,0	7,0	RSP 0500 0600 070 B0	1,276
55,0	65,0	7,0	RSP 0550 0650 070 B0	1,276
56,0	66,0	7,0	RSP 0560 0660 070 B0	1,276
60,0	72,0	8,5	RSP 0600 0720 085 B0	1,343
63,0	73,0	7,0	RSP 0630 0730 070 B0	1,276
63,0	75,0	8,5	RSP 0630 0750 085 B0	1,312
65,0	77,0	8,5	RSP 0650 0770 085 B0	1,343
70,0	82,0	8,5	RSP 0700 0820 085 B0	1,423
75,0	87,0	8,5	RSP 0750 0870 085 B0	1,504
80,0	92,0	8,5	RSP 0800 0920 085 B0	1,658
85,0	97,0	8,5	RSP 0850 0970 085 B0	1,896
90,0	102,0	8,5	RSP 0900 1020 085 B0	2,563
95,0	107,0	8,5	RSP 0950 1070 085 B0	2,690
100,0	115,0	10,0	RSP 1000 1150 100 B0	2,952

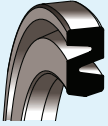
SRS

TENUTA STELO A MOLLA - SPRING ROD SEAL



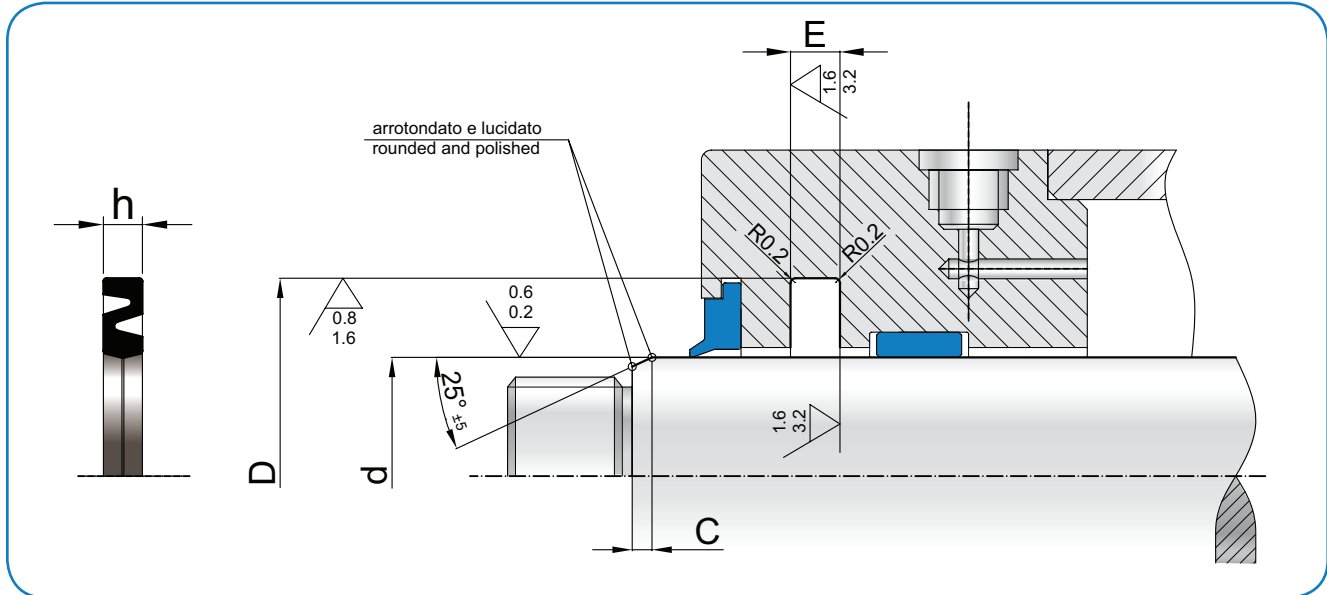
- RSP
- SRS**
- SRSN
- CSA
- PSP
- PSPN
- MPS
- SPS
- SPSN
- MPP
- ISA
- ESA
- NG
- LWA
- BWA
- BWAN
- BWS
- BWH
- BWHN

d_f	D_{H10}	h	ART / ITEM	€ cad/each
6,0	13,0	2,3	SRS 0060 0130 023 B0	0,943
8,0	15,0	2,3	SRS 0080 0150 023 B0	0,959
10,0	17,0	2,3	SRS 0100 0170 023 B0	1,029
12,0	19,0	2,3	SRS 0120 0190 023 B0	1,099
14,0	21,0	2,3	SRS 0140 0210 023 B0	1,164
15,0	22,0	2,3	SRS 0150 0220 023 B0	1,174
16,0	25,0	2,8	SRS 0160 0250 028 B0	1,238
20,0	29,0	2,8	SRS 0200 0290 028 B0	1,326
25,0	34,0	2,8	SRS 0250 0340 028 B0	1,381
30,0	39,0	2,8	SRS 0300 0390 028 B0	1,579
40,0	49,0	2,8	SRS 0400 0490 028 B0	1,755
42,0	51,0	2,8	SRS 0420 0510 028 B0	1,784
50,0	59,0	2,8	SRS 0500 0590 028 B0	1,936



SRS/N

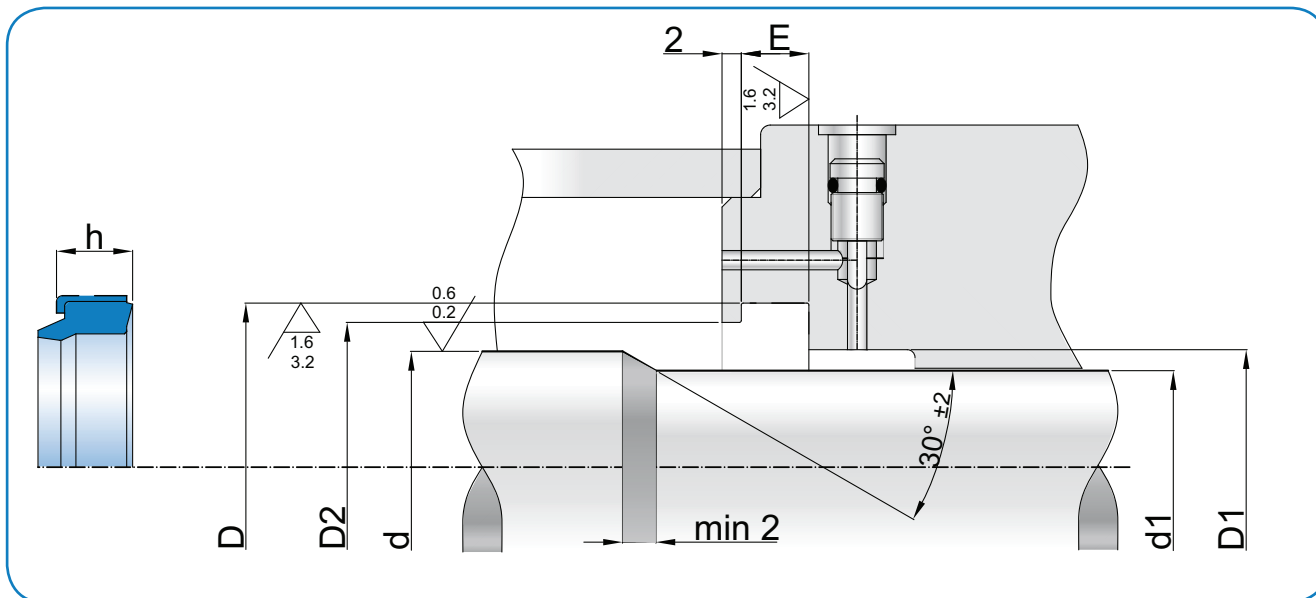
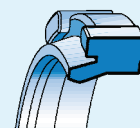
TENUTA STELO A MOLLA - SPRING ROD SEAL



d_{f9}	D_{H10}	h	ART / ITEM	€ cad/each
6,0	13,0	2,30	SRS 0060 0130 023 N1	0,943
8,0	15,0	2,30	SRS 0080 0150 023 N1	0,959
10,0	17,0	2,30	SRS 0100 0170 023 N1	1,029
12,0	19,0	2,30	SRS 0120 0190 023 N1	1,099
14,0	21,0	2,30	SRS 0140 0210 023 N1	1,164
15,0	22,0	2,30	SRS 0150 0220 023 N1	1,174
16,0	25,0	2,80	SRS 0160 0250 028 N1	1,238
20,0	29,0	2,80	SRS 0200 0290 028 N1	1,326
25,0	34,0	2,80	SRS 0250 0340 028 N1	1,381
30,0	49,0	2,80	SRS 0300 0390 028 N1	1,579
40,0	51,0	2,80	SRS 0400 0490 028 N1	1,755
42,0	59,0	2,80	SRS 0420 0510 028 N1	1,784
50,0	50,0	2,80	SRS 0500 0590 028 N1	1,936

CSA

GUARNIZIONI AMMORTIZZO - CUSHIONING SEAL



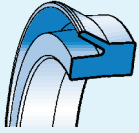
RSP
 SRS
 SRSN
CSA
 PSP
 PSPN
 MPS
 SPS
 SPSN
 MPP
 ISA
 ESA
 NG
 LWA
 BWA
 BWAN
 BWS
 BWH
 BWHN

d_{H10}	D_{H11}	h	E	ART / ITEM	€ cad/each
6,0	10,0	3,4	3,7	CSA 0060 0100 034 B0	0,588
8,0	11,6	3,0	3,3	CSA 0080 0116 030 B0	0,588
9,5	15,0	4,0	4,5	CSA 0095 0150 040 B0	0,706
10,0	18,0	6,5	7,0	CSA 0100 0180 065 B0	0,823
12,0	18,0	4,3	4,8	CSA 0120 0180 043 B0	0,823
12,0	20,0	6,5	7,0	CSA 0120 0200 065 B0	0,851
14,0	22,0	6,5	7,0	CSA 0140 0220 065 B0	0,878
16,0	22,0	4,7	5,2	CSA 0160 0220 047 B0	0,940
16,0	24,0	6,5	7,0	CSA 0160 0240 065 B0	0,992
18,0	26,0	6,5	7,0	CSA 0180 0260 065 B0	1,018
20,0	28,0	6,5	7,0	CSA 0200 0280 065 B0	1,039
22,0	30,0	6,5	7,0	CSA 0220 0300 065 B0	1,052
25,0	33,0	6,5	7,0	CSA 0250 0330 065 B0	1,191
28,0	36,0	6,5	7,0	CSA 0280 0360 065 B0	1,208
30,0	40,0	6,5	7,0	CSA 0300 0400 065 B0	1,212
32,0	42,0	6,5	7,0	CSA 0320 0420 065 B0	1,225
36,0	46,0	6,5	7,0	CSA 0360 0460 065 B0	1,633
40,0	50,0	6,5	7,0	CSA 0400 0500 065 B0	1,780
50,0	60,0	6,5	7,0	CSA 0500 0600 065 B0	1,984
57,0	74,0	12,0	12,5	CSA 0570 0740 120 B0	2,174
70,0	87,0	12,0	12,5	CSA 0700 0870 120 B0	2,783
78,0	95,0	12,0	12,5	CSA 0780 0950 120 B0	3,308

Nota: altre dimensioni non a catalogo a richiesta. Consultare il nostro ufficio tecnico.

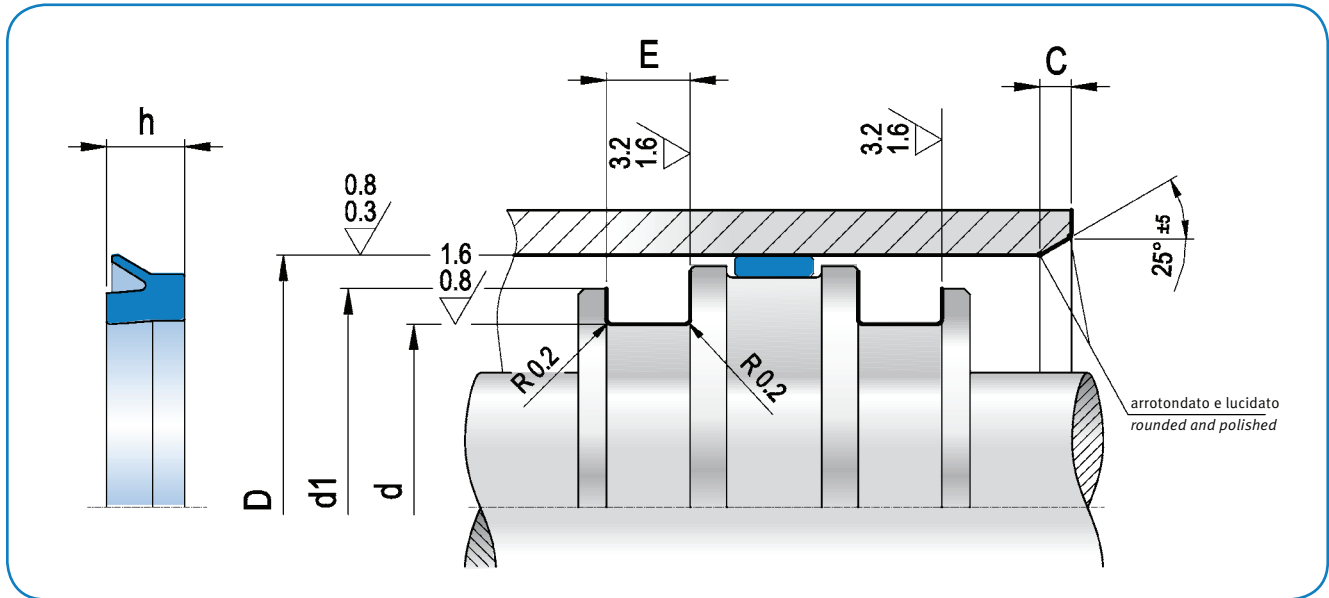
Remark: please contact our technical dept. for further dimensions not included in the catalogue.

PNEUMATICA
 PNEUMATIC



PSP

TENUTA PISTONE PER PNEUMATICA PISTON SEAL FOR PNEUMATICS



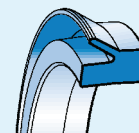
D _{H11}	d _{h10}	h	ART / ITEM	€ cad/each
6,0	3,0	2,00	PSP 0060 0030 020 B0	0,584
8,0	4,0	2,55	PSP 0080 0040 025 B0	0,584
8,0	4,8	2,30	PSP 0080 0048 023 B0	0,584
8,0	4,8	2,55	PSP 0080 0048 025 B0	0,584
10,0	6,0	2,55	PSP 0100 0060 025 B0	0,606
12,0	7,0	2,55	PSP 0120 0070 025 B0	0,606
13,0	8,0	2,55	PSP 0130 0080 025 B0	0,606
14,0	8,0	2,55	PSP 0140 0080 025 B0	0,606
15,0	9,0	2,55	PSP 0150 0090 025 B0	0,638
16,0	10,0	2,55	PSP 0160 0100 025 B0	0,638
17,0	11,0	2,55	PSP 0170 0110 025 B0	0,638
18,0	12,0	2,55	PSP 0180 0120 025 B0	0,638
20,0	14,0	2,55	PSP 0200 0140 025 B0	0,686
20,0	14,0	4,00	PSP 0200 0140 040 B0	0,733
20,0	15,5	4,00	PSP 0200 0155 040 B0	0,733
22,0	16,0	2,55	PSP 0220 0160 025 B0	0,719
24,0	12,0	6,50	PSP 0240 0120 065 B0	0,735
24,0	18,0	2,55	PSP 0240 0180 025 B0	0,719
25,0	17,0	5,50	PSP 0250 0170 055 B0	0,773
25,0	19,0	3,25	PSP 0250 0190 032 B0	0,733
25,0	19,0	4,00	PSP 0250 0190 040 B0	0,773
27,0	21,0	3,25	PSP 0270 0210 032 B0	0,797
28,0	18,0	7,00	PSP 0280 0180 070 B0	0,806
28,0	22,0	3,25	PSP 0280 0220 032 B0	0,798
30,0	20,0	5,00	PSP 0300 0200 050 B0	0,819
30,0	22,0	3,25	PSP 0300 0220 032 B0	0,798
32,0	24,0	3,25	PSP 0320 0240 032 B0	0,806

D _{H11}	d _{h10}	h	ART / ITEM	€ cad/each
32,0	24,0	5,50	PSP 0320 0240 055 B0	0,853
35,0	27,0	3,25	PSP 0350 0270 032 B0	0,853
36,0	28,0	3,25	PSP 0360 0280 032 B0	0,853
38,0	30,0	3,25	PSP 0380 0300 032 B0	0,886
38,0	30,0	5,50	PSP 0380 0300 055 B0	0,981
40,0	27,3	6,40	PSP 0400 0273 064 B0	1,021
40,0	30,0	7,00	PSP 0400 0300 070 B0	1,021
40,0	32,0	3,25	PSP 0400 0320 032 B0	0,981
42,0	30,0	6,00	PSP 0420 0300 060 B0	1,021
42,0	34,0	3,25	PSP 0420 0340 032 B0	1,008
45,0	35,0	10,00	PSP 0450 0350 100 B0	1,050
45,0	37,0	3,25	PSP 0450 0370 032 B0	1,021
50,0	40,0	5,00	PSP 0500 0400 050 B0	1,103
50,0	40,0	7,00	PSP 0500 0400 070 B0	1,141
50,0	42,0	3,25	PSP 0500 0420 032 B0	1,125
52,0	42,0	4,25	PSP 0520 0420 042 B0	1,125
55,0	45,0	7,00	PSP 0550 0450 070 B0	1,199
58,0	48,0	4,25	PSP 0580 0480 042 B0	1,161
60,0	50,0	5,00	PSP 0600 0500 050 B0	1,199
60,0	50,0	7,00	PSP 0600 0500 070 B0	1,276
63,0	53,0	4,25	PSP 0630 0530 042 B0	1,199
63,0	53,0	7,00	PSP 0630 0530 070 B0	1,276
65,0	55,0	5,00	PSP 0650 0550 050 B0	1,276
65,0	55,0	7,00	PSP 0650 0550 070 B0	1,276
68,0	58,0	4,70	PSP 0680 0580 047 B0	1,199
70,0	58,0	8,50	PSP 0700 0580 085 B0	1,318
75,0	63,0	8,50	PSP 0750 0630 085 B0	1,343

* diametro di aggancio consigliato ma modificabile in funzione delle esigenze di montaggio
 recommended hook diameter which could be modified according to mounting demand

PSP

TENUTA PISTONE PER PNEUMATICA PISTON SEAL FOR PNEUMATICS

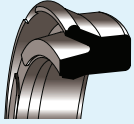


D _{H11}	d _{h10}	h	ART / ITEM	€ cad/each
80,0	67,3	6,35	PSP 0800 0673 063 B0	1,369
80,0	68,0	8,50	PSP 0800 0680 085 B0	1,423
80,0	70,0	4,25	PSP 0800 0700 042 B0	1,369
85,0	73,0	8,50	PSP 0850 0730 085 B0	1,423
90,0	78,0	8,50	PSP 0900 0780 085 B0	1,504
90,0	80,0	4,25	PSP 0900 0800 042 B0	1,423
100,0	88,0	8,50	PSP 1000 0880 085 B0	1,658
100,0	90,0	4,25	PSP 1000 0900 042 B0	1,613
110,0	95,0	10,00	PSP 1100 0950 100 B0	2,248
120,0	105,0	10,00	PSP 1200 1050 100 B0	2,326
125,0	105,0	8,25	PSP 1250 1050 082 B0	2,326
125,0	110,0	10,00	PSP 1250 1100 100 B0	2,563

D _{H11}	d _{h10}	h	ART / ITEM	€ cad/each
140,0	120,0	8,25	PSP 1400 1200 082 B0	2,952
160,0	140,0	8,25	PSP 1600 1400 082 B0	3,275
160,0	145,0	10,00	PSP 1600 1450 100 B0	3,388
180,0	160,0	14,00	PSP 1800 1600 140 B0	6,621
200,0	180,0	8,25	PSP 2000 1800 082 B0	6,911
200,0	180,0	14,00	PSP 2000 1800 140 B0	7,200
250,0	230,0	14,00	PSP 2500 2300 140 B0	14,513

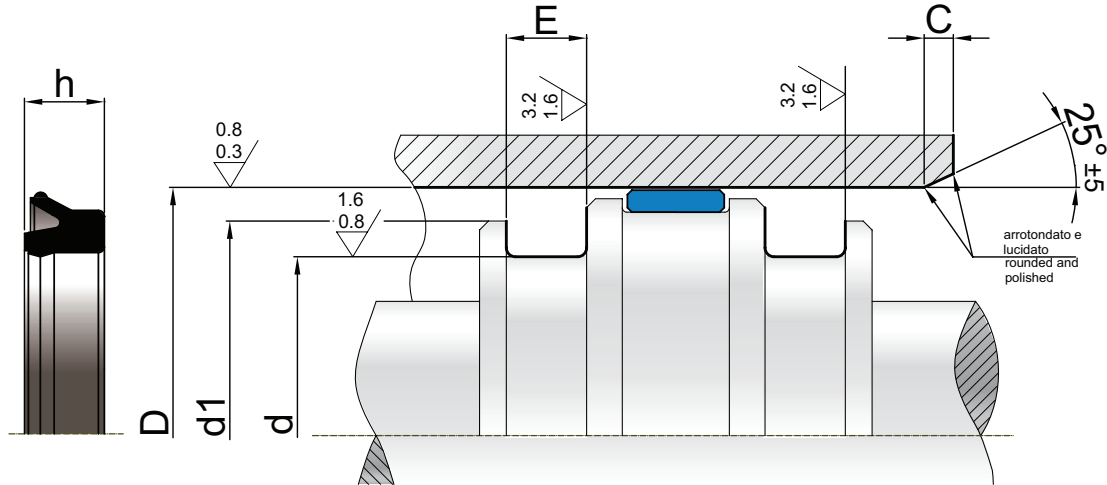
RSP
 SRS
 SRSN
 CSA
PSP
 PSPN
 MPS
 SPS
 SPSN
 MPP
 ISA
 ESA
 NG
 LWA
 BWA
 BWAN
 BWS
 BWH
 BWHN

* diametro di aggancio consigliato ma modificabile in funzione delle esigenze di montaggio
 recommended hook diameter which could be modified according to mounting demand



PSP/N

TENUTA PISTONE PER PNEUMATICA PISTON SEAL FOR PNEUMATICS

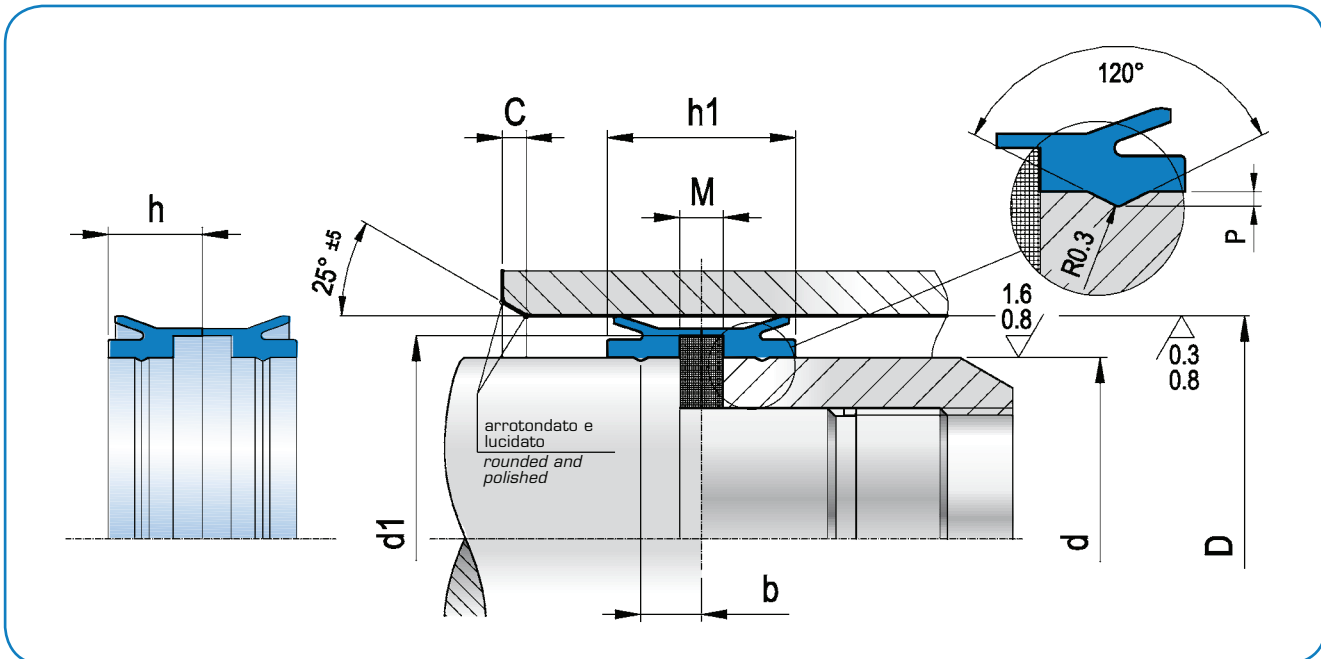
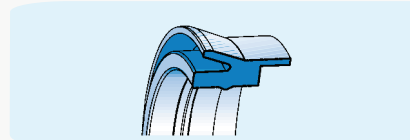


D _{H11}	d _{h10}	h	ART / ITEM	€ cad/each
25	19	3,25	PSP 0250 0190 032 NO	1,260
27	21	3,25	PSP 0270 0210 032 NO	1,313
28	22	3,25	PSP 0280 0220 032 NO	1,365
30	22	3,25	PSP 0300 0220 032 NO	1,418
32	24	3,25	PSP 0320 0240 032 NO	1,439
32	24	5,50	PSP 0320 0240 055 NO	1,470
35	27	3,25	PSP 0350 0270 032 NO	1,491
38	30	3,25	PSP 0380 0300 032 NO	1,512
40	30	7,00	PSP 0400 0300 070 NO	1,575
40	32	3,25	PSP 0400 0320 032 NO	1,575
42	34	3,25	PSP 0450 0340 032 NO	1,596
45	37	3,25	PSP 0500 0370 032 NO	1,680
50	40	7,00	PSP 0500 0400 070 NO	1,785
50	42	3,25	PSP 0500 0420 032 NO	1,806
63	53	4,25	PSP 0630 0530 042 NO	1,838
63	53	7,00	PSP 0630 0530 070 NO	1,932
80	68	8,50	PSP 0800 0680 085 NO	2,048
80	70	4,25	PSP 0800 0400 042 NO	1,995
90	80	4,25	PSP 0900 0800 042 NO	2,048
100	88	8,50	PSP 1000 0880 085 NO	2,310
100	90	4,25	PSP 1000 0900 042 NO	2,625

* diametro di aggancio consigliato ma modificabile in funzione delle esigenze di montaggio
 recommended hook diameter which could be modified according to mounting demand

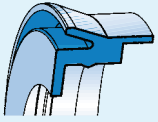
MPS

TENUTA PISTONE MAGNETICO - MAGNETIC PISTON SEAL



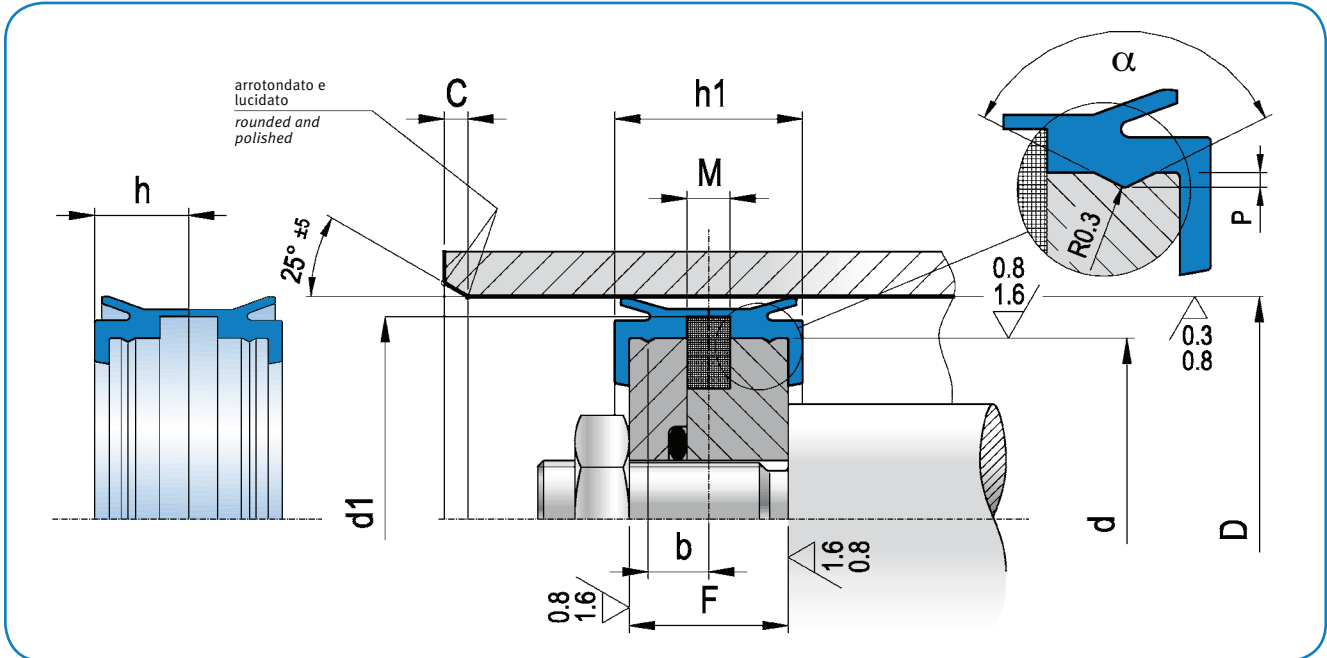
- RSP
- SRS
- SRSN
- CSA
- PSP
- PSPN
- MPS**
- SPS
- SPSN
- MPP
- ISA
- ESA
- NG
- LWA
- BWA
- BWAN
- BWS
- BWH
- BWHN

D_{H11}	d_{h9}	h_1	h	d_1	M	P	b	ART / ITEM	€ cad/each
8,0	4,0	12,0	6,0	6,5	4,0	0,35	4,00	MPS 0080 0040 040 120 B0	0,716
10,0	4,0	12,0	6,0	8,5	3,0	0,35	3,50	MPS 0100 0040 030 120 B0	0,747
12,0	6,0	12,0	6,0	10,5	3,0	0,40	3,50	MPS 0120 0060 030 120 B0	0,747
16,0	8,0	12,0	6,0	14,5	3,0	0,40	3,50	MPS 0160 0080 030 120 B0	0,777
20,0	10,0	12,0	6,0	18,0	3,0	0,50	3,50	MPS 0200 0100 030 120 B0	0,901
25,0	10,0	12,0	6,0	23,0	3,0	0,50	3,50	MPS 0250 0100 030 120 B0	1,026



MPS/2

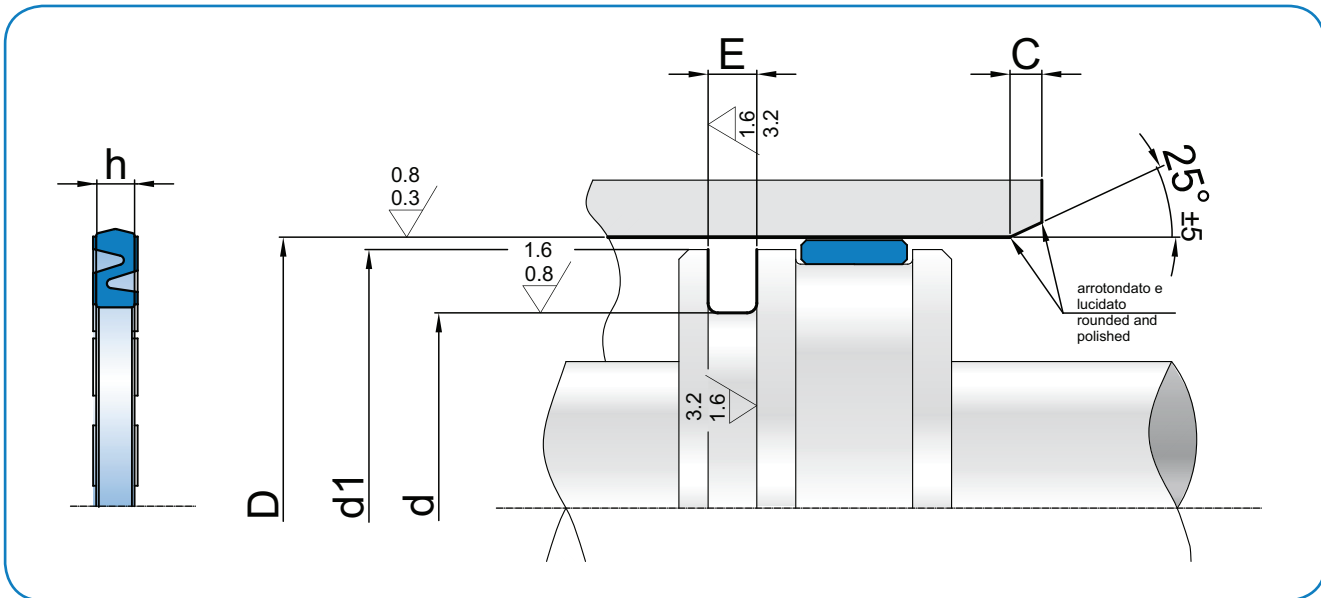
TENUTA PISTONE MAGNETICO - MAGNETIC PISTON SEAL



D _{H11}	d _{h9}	h ₁	h	d ₁	M	P	b	F	α	ART / ITEM	€ cad/ each
32,0	26,0	14,0	7,00	29,5	3,0	0,50	4,00	11,00	120°	MPS 0320 0260 030 120 B0	1,147
32,0	26,0	14,0	7,00	29,5	3,0	0,80	4,00	11,00	90°	MPS 0320 0260 030 090 B0	1,147
32,0	26,0	14,0	7,00	29,5	5,0	0,50	4,00	11,00	120°	MPS 0320 0260 050 120 B0	1,147
32,0	26,0	14,0	7,00	29,5	5,0	0,80	4,00	11,00	90°	MPS 0320 0260 050 090 B0	1,147
40,0	34,0	14,5	7,25	37,5	5,0	0,50	4,25	12,00	120°	MPS 0400 0340 050 120 B0	1,399
40,0	34,0	14,5	7,25	37,5	5,0	0,80	4,25	12,00	90°	MPS 0400 0340 050 090 B0	1,399
50,0	43,0	14,5	7,25	46,5	5,0	0,60	4,25	12,00	120°	MPS 0500 0430 050 120 B0	1,988
50,0	43,0	14,5	7,25	46,5	5,0	0,80	4,25	12,00	90°	MPS 0500 0430 050 090 B0	1,988
63,0	55,0	20,0	10,00	59,5	5,0	0,80	6,00	17,00	120°	MPS 0630 0550 050 120 B0	2,329
80,0	72,0	22,0	11,00	76,5	5,0	0,80	6,50	19,00	120°	MPS 0800 0720 050 120 B0	2,453
100,0	90,0	26,0	13,00	96,5	5,0	0,80	7,50	22,00	120°	MPS 1000 0900 050 120 B0	3,054

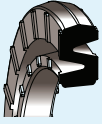
SPS

TENUTA PISTONE A MOLLA - SPRING PISTON SEAL



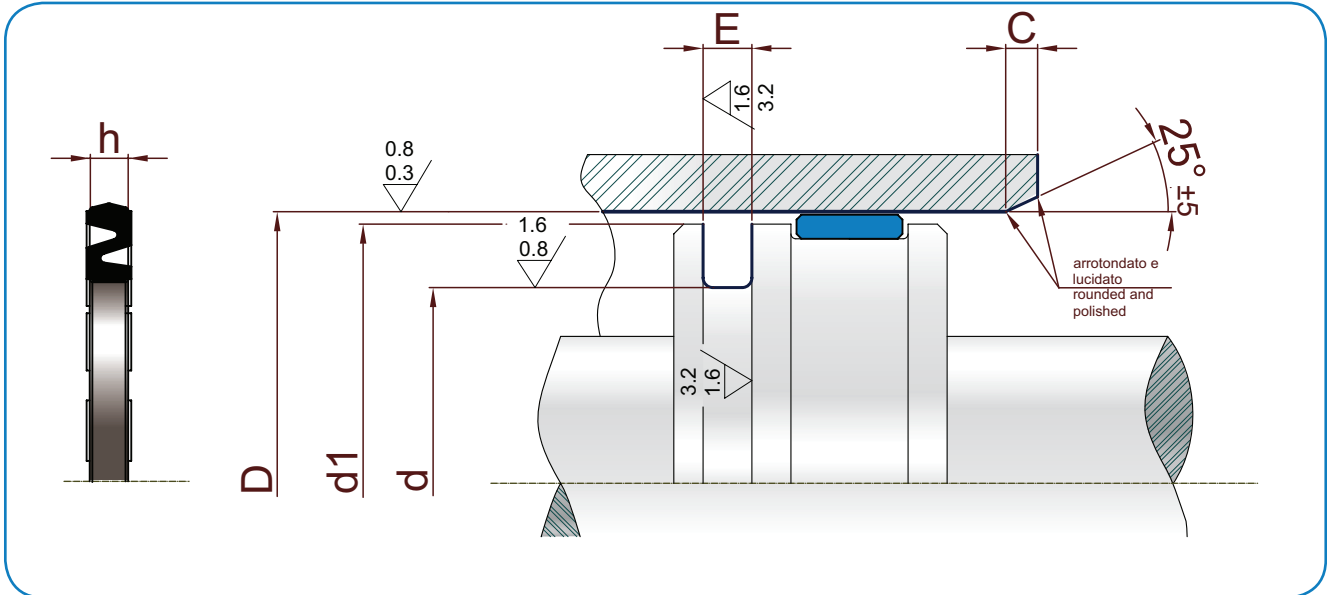
- RSP
- SRS
- SRSN
- CSA
- PSP
- PSPN
- MPS
- SPS**
- SPSN
- MPP
- ISA
- ESA
- NG
- LWA
- BWA
- BWAN
- BWS
- BWH
- BWHN

DH11	dh10	h	E+0,2	ART / ITEM	€ cad/each
12,0	7,0	2,2	2,5	SPS 0120 0070 022 B0	0,943
16,0	9,0	2,4	2,5	SPS 0160 0090 024 B0	1,029
20,0	13,0	2,4	2,5	SPS 0200 0130 024 B0	1,164
25,0	18,0	2,4	2,5	SPS 0250 0180 024 B0	1,238
28,0	21,0	2,4	2,5	SPS 0280 0210 024 B0	1,326
30,0	21,0	2,9	3,0	SPS 0300 0210 029 B0	1,343
32,0	23,0	2,9	3,0	SPS 0320 0230 029 B0	1,381
35,0	26,0	2,9	3,0	SPS 0350 0260 029 B0	1,395
40,0	31,0	2,9	3,0	SPS 0400 0310 029 B0	1,579
45,0	36,0	2,9	3,0	SPS 0450 0360 029 B0	1,672
50,0	41,0	2,9	3,0	SPS 0500 0410 029 B0	1,784
60,0	48,0	3,9	4,0	SPS 0600 0480 039 B0	1,936
63,0	51,0	3,9	4,0	SPS 0630 0510 039 B0	1,998
70,0	58,0	3,9	4,0	SPS 0700 0580 039 B0	2,076
80,0	68,0	3,9	4,0	SPS 0800 0680 039 B0	2,155



SPS/N

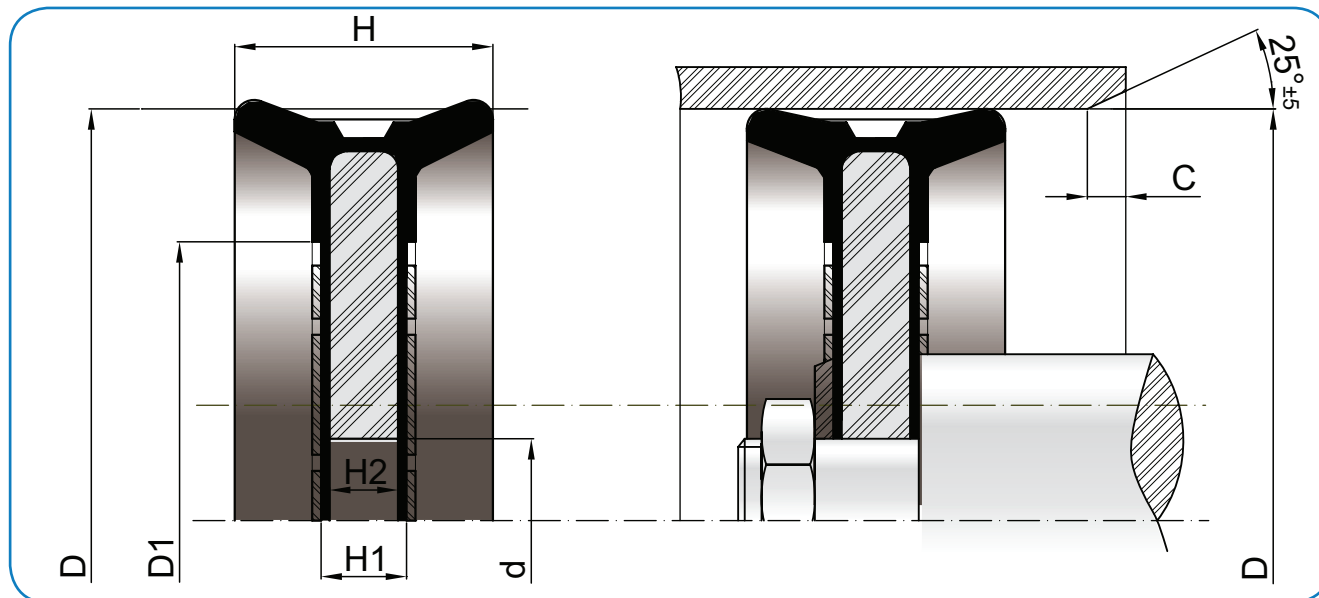
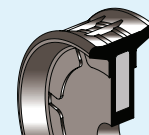
TENUTA PISTONE A MOLLA - SPRING PISTON SEAL



df9	DH10	h	E+0,2	ART / ITEM	€ cad/each
12,0	7,0	2,20	2,50	SPS 0120 0070 022 N1	0,943
16,0	9,0	2,40	2,50	SPS 0160 0090 024 N1	1,029
20,0	13,0	2,40	2,50	SPS 0200 0130 024 N1	1,164
25,0	18,0	2,40	2,50	SPS 0250 0180 024 N1	1,238
28,0	21,0	2,40	2,50	SPS 0280 0210 024 N1	1,326
30,0	21,0	2,90	3,00	SPS 0300 0210 029 N1	1,343
32,0	23,0	2,90	3,00	SPS 0320 0230 029 N1	1,381
35,0	26,0	2,90	3,00	SPS 0350 0260 029 N1	1,395
40,0	31,0	2,90	3,00	SPS 0400 0310 029 N1	1,579
45,0	36,0	2,90	3,00	SPS 0450 0360 029 N1	1,672
50,0	41,0	2,90	3,00	SPS 0500 0410 029 N1	1,784
60,0	48,0	3,90	4,00	SPS 0600 0480 039 N1	1,936
63,0	51,0	3,90	4,00	SPS 0630 0510 039 N1	1,998
70,0	58,0	3,90	4,00	SPS 0700 0580 039 N1	2,076
80,0	68,0	3,90	4,00	SPS 0800 0680 039 N1	2,155

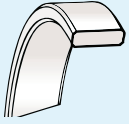
MPP

PISTONE MONOBLOCCO - SPRING PISTON SEAL



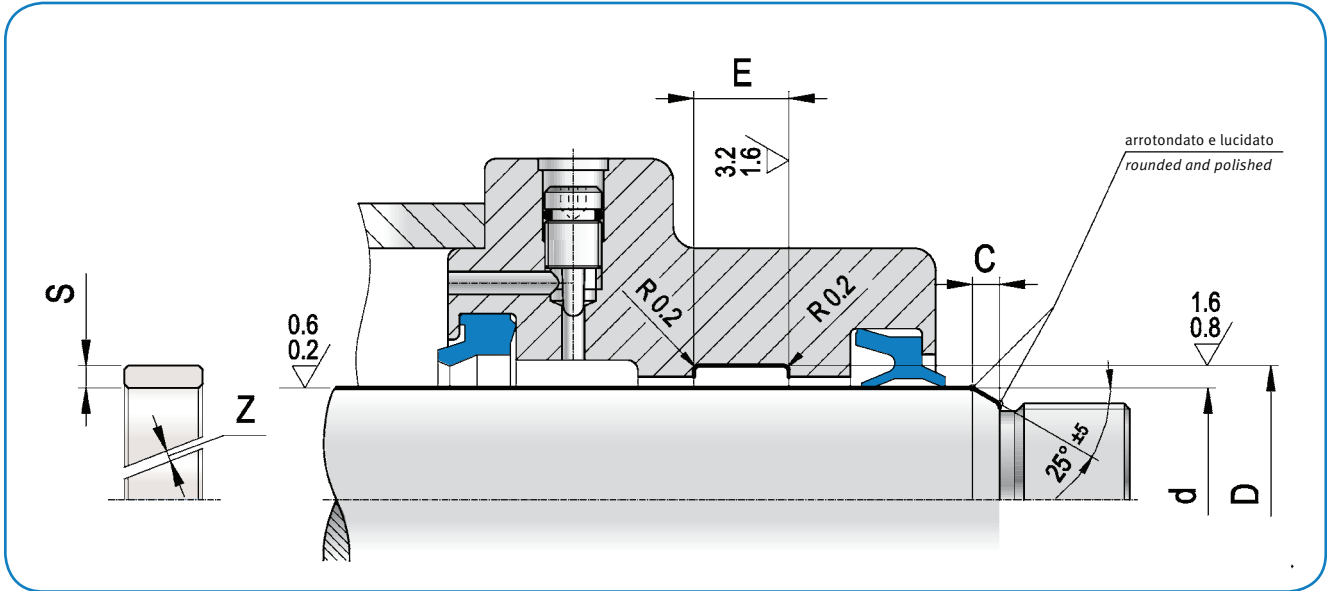
RSP
 SRS
 SRSN
 CSA
 PSP
 PSPN
 MPS
 SPS
 SPSN
MPP
 ISA
 ESA
 NG
 LWA
 BWA
 BWAN
 BWS
 BWH
 BWHN

D	d	H	ART / ITEM	€ cad/each
25,0	8,0	12,0	MPP 0250 0080 120 N2	1,901
32,0	8,0	15,0	MPP 0320 0080 150 N2	2,279
40,0	10,0	18,0	MPP 0400 0100 180 N2	2,804
50,0	10,0	18,0	MPP 0500 0100 180 N2	3,339
60,0	12,0	22,0	MPP 0600 0120 220 N2	4,169
63,0	12,0	22,0	MPP 0630 0120 220 N2	4,242
63,0	14,0	22,0	MPP 0630 0140 220 N2	4,242
63,0	16,0	22,0	MPP 0630 0160 220 N2	4,242
70,0	12,0	22,0	MPP 0700 0120 220 N2	5,387
75,0	12,0	25,0	MPP 0750 0120 250 N2	5,723
80,0	12,0	25,0	MPP 0800 0120 250 N2	6,143
80,0	14,0	25,0	MPP 0800 0140 250 N2	6,143
80,0	16,0	25,0	MPP 0800 0160 250 N2	6,143
80,0	18,0	25,0	MPP 0800 0160 250 N2	6,143
90,0	12,0	25,0	MPP 0900 0120 250 N2	7,508
100,0	18,0	25,0	MPP 1000 0180 250 N2	8,043
100,0	20,0	25,0	MPP 1000 0200 250 N2	8,043
125,0	18,0	30,0	MPP 1250 0180 300 N2	16,758
125,0	20,0	30,0	MPP 1250 0200 300 N2	16,758
160,0	24,0	30,0	MPP 1600 0240 300 N2	29,799
200,0	24,0	30,0	MPP 2000 0240 300 N2	60,890



ISA

FASCE DI GUIDA PER STELO - ROD GUIDE RING



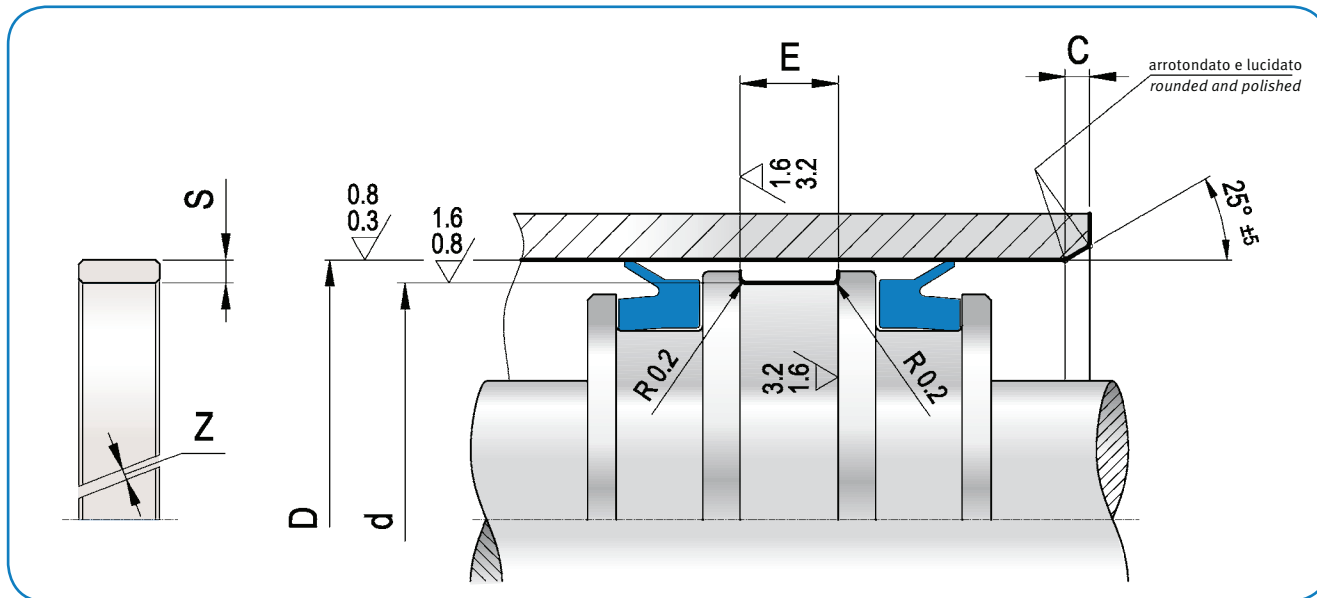
diametri d-D diameters	0 - 50	51 - 100	101 - 150	151 - 300
z. mm ≥	2,0	2,5	3,0	3,5

d _{f9}	D _{H7}	E _{+0,2}	S _{-0,08}	ART / ITEM	€ cad/ each
8,0	11,1	2,5	1,55	ISA 0080 0111 025 R3	0,610
10,0	13,1	2,5	1,55	ISA 0100 0131 025 R3	0,610
10,0	13,1	4,0	1,55	ISA 0100 0131 040 R3	0,610
12,0	15,1	4,0	1,55	ISA 0120 0151 040 R3	0,610
12,0	16,0	9,7	2,00	ISA 0120 0160 097 R3	0,638
14,0	17,1	4,0	1,55	ISA 0140 0171 040 R3	0,638
14,0	18,0	9,7	2,00	ISA 0140 0180 097 R3	0,638
15,0	18,1	4,0	1,55	ISA 0150 0181 040 R3	0,638
16,0	19,1	4,0	1,55	ISA 0160 0191 040 R3	0,638
16,0	20,0	9,7	2,00	ISA 0160 0200 097 R3	0,667
18,0	22,0	9,7	2,00	ISA 0180 0220 097 R3	0,667
20,0	23,1	4,0	1,55	ISA 0200 0231 040 R3	0,667

d _{f9}	D _{H7}	E _{+0,2}	S _{-0,08}	ART / ITEM	€ cad/ each
22,0	25,1	4,0	1,55	ISA 0220 0251 040 R3	0,667
25,0	28,1	4,0	1,55	ISA 0250 0281 040 R3	0,667
28,0	31,1	4,0	1,55	ISA 0280 0311 040 R3	0,695
30,0	33,1	4,0	1,55	ISA 0300 0331 040 R3	0,723
32,0	35,1	4,0	1,55	ISA 0320 0351 040 R3	0,723
35,0	38,1	4,0	1,55	ISA 0350 0381 040 R3	0,723
36,0	39,1	4,0	1,55	ISA 0360 0391 040 R3	0,723
40,0	43,1	4,0	1,55	ISA 0400 0431 040 R3	0,779
50,0	53,1	4,0	1,55	ISA 0500 0531 040 R3	0,836

ESA

FASCE DI GUIDA PER PISTONE - ROD GUIDE RING



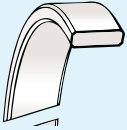
- RSP
- SRS
- SRSN
- CSA
- PSP
- PSPN
- MPS
- SPS
- SPSN
- MPP
- ISA
- ESA**
- NG
- LWA
- BWA
- BWAN
- BWS
- BWH
- BWHN

diametri D-d diameters	0 - 50	51 - 100	101 - 150	151 - 300
z. mm ≥	2,0	2,5	3,0	3,5

D _{H11}	d _{h7}	E _{+0,2}	S _{-0,08}	ART / ITEM	€ cad/ each
8,0	4,9	2,5	1,55	ESA 0080 0049 025 R3	0,610
10,0	6,9	2,5	1,55	ESA 0100 0069 025 R3	0,610
10,0	6,9	4,0	1,55	ESA 0100 0069 040 R3	0,610
12,0	8,9	4,0	1,55	ESA 0120 0089 040 R3	0,610
14,0	10,9	4,0	1,55	ESA 0140 0109 040 R3	0,610
15,0	11,9	4,0	1,55	ESA 0150 0119 040 R3	0,610
16,0	12,9	4,0	1,55	ESA 0160 0129 040 R3	0,610
16,0	12,0	9,7	2,00	ESA 0160 0120 097 R3	0,638
18,0	14,9	4,0	1,55	ESA 0180 0149 040 R3	0,638
20,0	16,0	8,2	2,00	ESA 0200 0160 082 R3	0,638
20,0	16,0	9,7	2,00	ESA 0200 0160 097 R3	0,667
20,0	16,9	4,0	1,55	ESA 0200 0169 040 R3	0,638
21,0	17,0	8,2	2,00	ESA 0210 0170 082 R3	0,662
22,0	18,0	9,7	2,00	ESA 0220 0180 097 R3	0,667
25,0	21,0	8,2	2,00	ESA 0250 0210 082 R3	0,695
25,0	21,9	4,0	1,55	ESA 0250 0219 040 R3	0,667
26,0	22,0	8,2	2,00	ESA 0260 0220 082 R3	0,704
30,0	25,8	5,0	2,10	ESA 0300 0258 050 R3	0,695
30,0	26,0	5,0	2,00	ESA 0300 0260 050 R3	0,695
30,0	26,0	8,2	2,00	ESA 0300 0260 082 R3	0,695
32,0	26,1	5,0	2,95	ESA 0320 0261 050 R3	0,735
32,0	28,0	5,0	2,00	ESA 0320 0280 050 R3	0,730
32,0	28,0	8,2	2,00	ESA 0320 0280 082 R3	0,752
32,0	28,9	4,0	1,55	ESA 0320 0289 040 R3	0,723

D _{H11}	d _{h7}	E _{+0,2}	S _{-0,08}	ART / ITEM	€ cad/ each
35,0	31,0	8,2	2,00	ESA 0350 0310 082 R3	0,752
40,0	36,0	5,0	2,00	ESA 0400 0360 050 R3	0,752
40,0	36,0	8,2	2,00	ESA 0400 0360 082 R3	0,752
40,0	37,0	12,0	1,50	ESA 0400 0370 120 R3	0,773
45,0	41,0	10,2	2,00	ESA 0450 0410 102 R3	0,779
50,0	46,0	5,2	2,00	ESA 0500 0460 052 R3	0,775
50,0	46,0	10,2	2,00	ESA 0500 0460 102 R3	0,779
50,0	47,0	12,0	1,50	ESA 0500 0470 120 R3	0,803
55,0	51,0	10,2	2,00	ESA 0550 0510 102 R3	0,779
58,0	54,0	10,2	2,00	ESA 0580 0540 102 R3	0,779
60,0	56,0	10,2	2,00	ESA 0600 0560 102 R3	0,836
63,0	59,0	10,2	2,00	ESA 0630 0590 102 R3	0,836
63,0	60,0	12,0	1,50	ESA 0630 0600 120 R3	0,941
65,0	61,0	10,2	2,00	ESA 0650 0610 102 R3	0,920
70,0	66,0	10,2	2,00	ESA 0700 0660 102 R3	0,920
75,0	71,0	15,2	2,00	ESA 0750 0710 152 R3	1,013
80,0	76,0	10,2	2,00	ESA 0800 0760 102 R3	0,978
80,0	76,0	15,2	2,00	ESA 0800 0760 152 R3	1,013
80,0	77,0	12,0	1,50	ESA 0800 0770 120 R3	1,013
85,0	81,0	15,2	2,00	ESA 0850 0810 152 R3	1,062
90,0	86,0	15,2	2,00	ESA 0900 0860 152 R3	1,062
95,0	91,0	15,2	2,00	ESA 0950 0910 152 R3	1,308
100,0	96,0	10,2	2,00	ESA 1000 0960 102 R3	1,308
100,0	96,0	15,2	2,00	ESA 1000 0960 152 R3	1,373

PNEUMATICA
PNEUMATIC



ESA

FASCE DI GUIDA PER PISTONE - ROD GUIDE RING

D _{H11}	d _{h7}	E _{+0,2}	S _{-0,08}	ART / ITEM	€ cad/ each
105,0	101,0	20,3	2,00	ESA 1050 1010 203 R3	1,665
110,0	106,0	20,3	2,00	ESA 1100 1060 203 R3	1,787
115,0	111,0	20,3	2,00	ESA 1150 1110 203 R3	1,787
120,0	116,0	20,3	2,00	ESA 1200 1160 203 R3	1,796
125,0	121,0	15,2	2,00	ESA 1250 1210 152 R3	1,796
125,0	121,0	20,3	2,00	ESA 1250 1210 203 R3	1,886
130,0	126,0	20,3	2,00	ESA 1300 1260 203 R3	2,020
135,0	131,0	20,3	2,00	ESA 1350 1310 203 R3	2,020
140,0	136,0	20,3	2,00	ESA 1400 1360 203 R3	2,287
150,0	146,0	25,4	2,00	ESA 1500 1460 254 R3	2,531
160,0	155,0	15,0	2,50	ESA 1600 1550 150 R3	2,657
160,0	156,0	15,2	2,00	ESA 1600 1560 152 R3	2,657

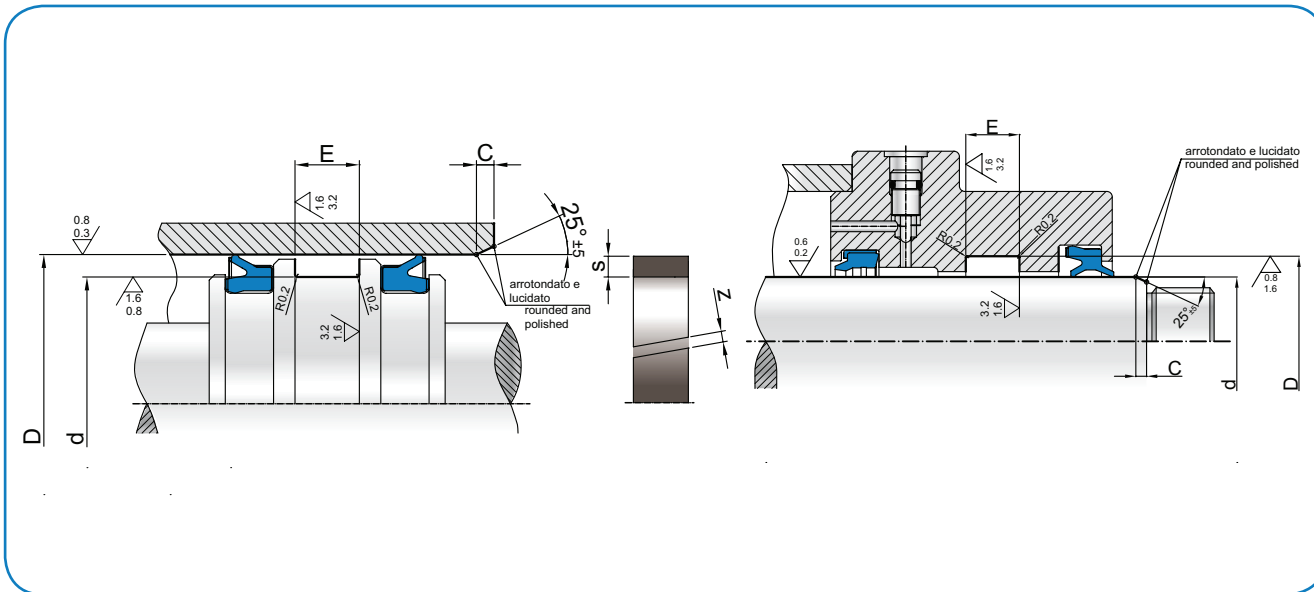
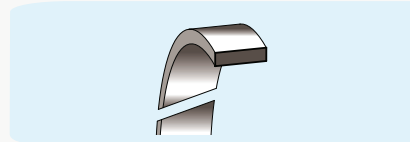
D _{H11}	d _{h7}	E _{+0,2}	S _{-0,08}	ART / ITEM	€ cad/ each
180,0	176,0	25,4	2,00	ESA 1800 1760 254 R3	3,407
200,0	195,0	15,0	2,50	ESA 2000 1950 150 R3	3,129
200,0	196,0	20,3	2,00	ESA 2000 1960 203 R3	3,667
200,0	196,0	25,4	2,00	ESA 2000 1960 254 R3	3,851
220,0	216,0	30,5	2,00	ESA 2200 2160 305 R3	4,628
250,0	245,0	20,0	2,50	ESA 2500 2450 200 R3	5,145
250,0	246,0	20,3	2,00	ESA 2500 2460 203 R3	5,081
250,0	246,0	30,5	2,00	ESA 2500 2460 305 R3	5,590

Nota: altre dimensioni non a catalogo a richiesta. Consultare il nostro ufficio tecnico.

Remark: please contact our technical dept. for further dimensions not included in the catalogue.

NG

NASTRO GUIDA IN PTFE - PTFE WEAR TAPE



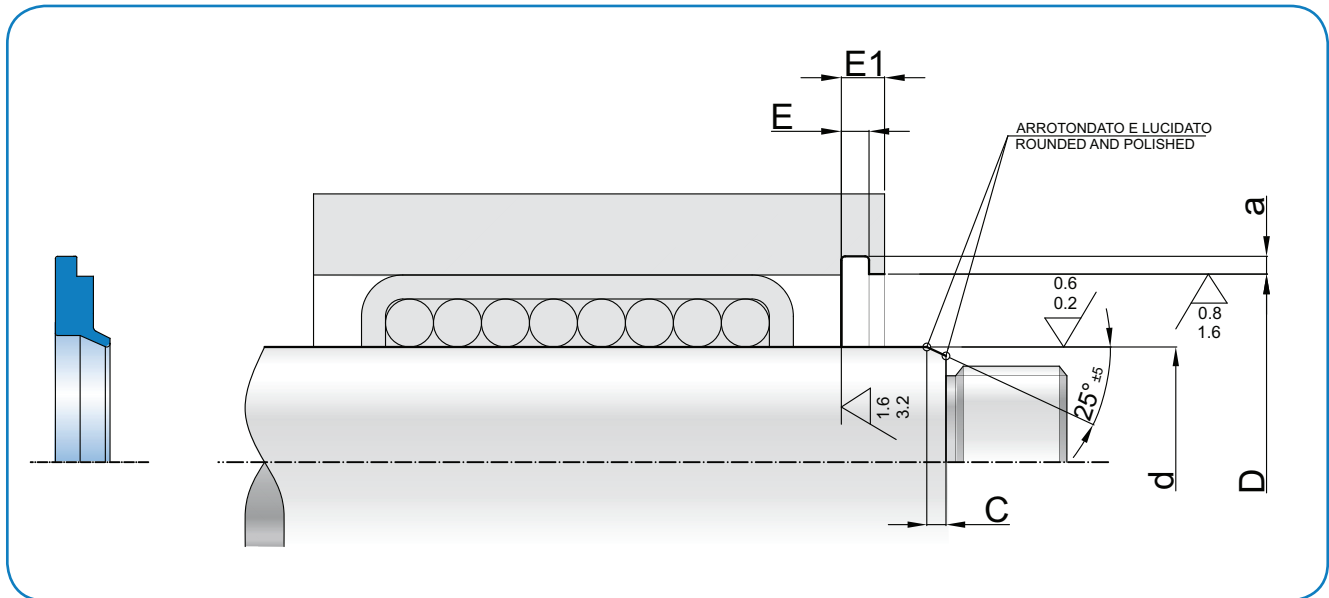
- RSP
- SRS
- SRSN
- CSA
- PSP
- PSPN
- MPS
- SPS
- SPSN
- MPP
- ISA
- ESA
- NG**
- LWA
- BWA
- BWAN
- BWS
- BWH
- BWHN

Dimensione sede - Groove dimension					€ cad/each
d_{H9}	D_{H9}	$E_{+0.2}$	Spessore anello Ring thickness s	z	
8-20	$d + 2s$	3,20	1,50	1,0-2,0	prezzo a richiesta price on request.
15-35	$d + 2s$	4,20	1,50 2,00	1,0-2,0	
15-75	$d + 2s$	5,60	1,50 2,00 2,50	1,5-3,5	
20-75	$d + 2s$	6,30	1,50 2,00 2,50	1,5-3,5	
30-250	$d + 2s$	8,10	1,50 2,00 2,50	2,0-5,0	
35-300	$d + 2s$	9,70	1,50 2,00 2,50 3,00	2,0-6,0	
120-400	$d + 2s$	15,00	1,50 2,00 2,50 3,00	4,0-8,0	
200-900	$d + 2s$	20,00	1,50 2,00 2,50 3,00	4,5-8,0	
300-900	$d + 2s$	25,00	2,00 2,50 3,00	6,0-8,0	
300-900	$d + 2s$	30,00	2,00 2,50 3,00	6,0-10,0	



LWA

RASCHIATORE LEGGERO - LIGHT WIPER



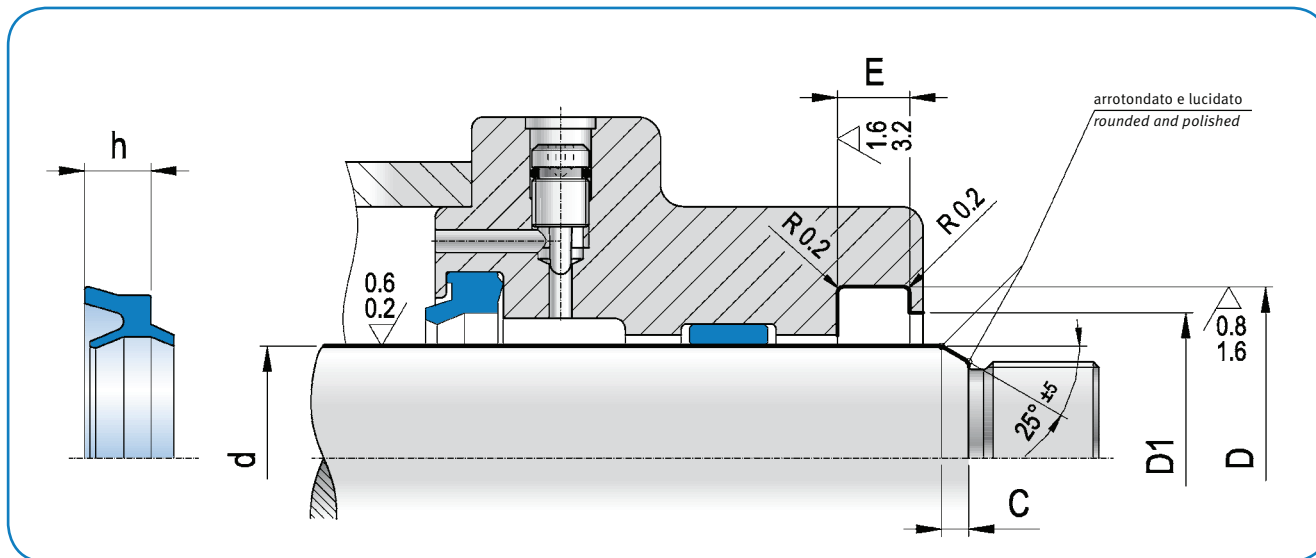
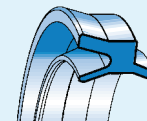
d_{f9}	D_{H11}	h	E_1	a	E	ART / ITEM	€ cad/each
6,0	12,0	4,5	3,0	1,3	1,6	LWA 0060 0120 045 B0	0,493
8,0	15,0	4,5	3,0	1,3	1,6	LWA 0080 0150 045 B0	0,493
10,0	17,0	4,5	3,0	1,3	1,6	LWA 0100 0170 045 B0	0,507
12,0	19,0	4,5	3,0	1,3	1,6	LWA 0120 0190 045 B0	0,507
14,0	21,0	4,5	3,0	1,3	1,6	LWA 0140 0210 045 B0	0,544
16,0	24,0	4,5	3,0	1,3	1,6	LWA 0160 0240 045 B0	0,584
20,0	28,0	4,5	3,0	1,3	1,6	LWA 0200 0280 045 B0	0,635
25,0	35,0	4,5	3,0	1,5	1,6	LWA 0250 0350 045 B0	0,669
30,0	40,0	4,5	3,0	2,0	1,6	LWA 0300 0400 045 B0	0,737
40,0	52,0	4,5	3,0	2,0	1,6	LWA 0400 0520 045 B0	0,923
50,0	62,0	4,5	3,0	2,0	1,6	LWA 0500 0620 045 B0	1,047

Nota: altre dimensioni non a catalogo a richiesta. Consultare il nostro ufficio tecnico.

Remark: please contact our technical dept. for further dimensions not included in the catalogue.

BWA

RASCHIATORE BIDIREZIONALE - BI-DIRECTIONAL WIPER



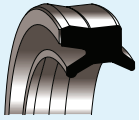
RSP
SRS
SRSN
CSA
PSP
PSPN
MPS
SPS
SPSN
MPP
ISA
ESA
NG
LWA
BWA
BWAN
BWS
BWH
BWHN

d _{f9}	D _{H10}	D ₁	h	E _{+0,2}	ART / ITEM	€ cad/ each
3,0	8,8	5,0	4,0	4,5	BWA 0030 0088 040 B0	0,702
4,0	7,0	6,0	2,2	2,7	BWA 0040 0070 022 B0	0,702
4,0	8,8	5,4	4,0	4,5	BWA 0040 0088 040 B0	0,702
5,0	8,0	6,2	2,2	2,7	BWA 0050 0080 022 B0	0,702
6,0	9,0	7,2	2,2	2,7	BWA 0060 0090 022 B0	0,702
6,0	10,8	8,0	4,0	4,5	BWA 0060 0108 040 B0	0,739
8,0	11,5	9,2	2,5	3,0	BWA 0080 0115 025 B0	0,739
8,0	12,8	10,0	4,0	4,5	BWA 0080 0128 040 B0	0,772
8,0	14,0	11,0	4,0	4,5	BWA 0080 0140 040 B0	0,772
10,0	14,0	11,4	2,8	3,2	BWA 0100 0140 028 B0	0,791
10,0	16,0	12,5	3,6	4,0	BWA 0100 0160 036 B0	0,802
10,0	16,8	13,0	4,0	4,5	BWA 0100 0168 040 B0	0,802
10,0	18,0	14,0	4,5	5,0	BWA 0100 0180 045 B0	0,810
12,0	16,5	13,7	3,2	3,7	BWA 0120 0165 032 B0	0,810
12,0	18,0	14,5	3,6	4,0	BWA 0120 0180 036 B0	0,810
12,0	20,0	16,0	3,2	3,7	BWA 0120 0200 032 B0	0,827
12,0	20,0	16,0	4,5	5,0	BWA 0120 0200 045 B0	0,827
12,0	20,0	16,0	5,0	5,5	BWA 0120 0200 050 B0	0,827
12,0	22,0	16,0	5,0	6,0	BWA 0120 0220 050 B0	0,827
14,0	18,5	15,7	3,2	3,7	BWA 0140 0185 032 B0	0,839
14,0	20,0	16,5	3,6	4,0	BWA 0140 0200 036 B0	0,839
14,0	22,0	18,0	4,5	5,0	BWA 0140 0220 045 B0	0,839
14,0	24,0	18,0	5,0	6,0	BWA 0140 0240 050 B0	0,857
16,0	20,5	17,7	3,2	3,7	BWA 0160 0205 032 B0	0,839
16,0	22,0	18,5	3,6	4,0	BWA 0160 0220 036 B0	0,857
16,0	24,0	18,5	4,5	5,0	BWA 0160 0240 045 B0	0,857
16,0	26,0	20,0	5,0	6,0	BWA 0160 0260 050 B0	0,857
18,0	22,5	19,7	3,2	3,7	BWA 0180 0225 032 B0	0,857
18,0	24,0	20,5	3,6	4,0	BWA 0180 0240 036 B0	0,857
18,0	26,0	21,0	4,5	5,0	BWA 0180 0260 045 B0	0,864

d _{f9}	D _{H10}	D ₁	h	E _{+0,2}	ART / ITEM	€ cad/ each
18,0	28,0	22,0	5,0	6,0	BWA 0180 0280 050 B0	0,864
20,0	25,0	21,9	3,6	4,0	BWA 0200 0250 036 B0	0,877
20,0	26,0	22,5	3,6	4,0	BWA 0200 0260 036 B0	0,877
20,0	30,0	24,0	6,0	7,0	BWA 0200 0300 060 B0	0,945
22,0	27,0	23,9	3,6	4,0	BWA 0220 0270 036 B0	0,877
22,0	28,0	24,5	3,6	4,0	BWA 0220 0280 036 B0	0,877
22,0	32,0	26,0	6,0	7,0	BWA 0220 0320 060 B0	0,945
25,0	30,0	26,9	3,6	4,0	BWA 0250 0300 036 B0	1,037
25,0	31,0	27,5	3,6	4,0	BWA 0250 0310 036 B0	1,037
25,0	35,0	29,0	6,0	7,0	BWA 0250 0350 060 B0	1,087
28,0	38,0	32,0	6,0	7,0	BWA 0280 0380 060 B0	1,131
30,0	35,5	32,1	3,9	4,5	BWA 0300 0355 039 B0	1,087
30,0	38,0	33,0	4,5	5,0	BWA 0300 0380 045 B0	1,156
30,0	40,0	34,0	6,0	7,0	BWA 0300 0400 060 B0	1,156
32,0	37,5	34,1	3,9	4,5	BWA 0320 0375 039 B0	1,131
32,0	40,0	35,0	4,5	5,0	BWA 0320 0400 045 B0	1,156
32,0	42,0	36,0	6,0	7,0	BWA 0320 0420 060 B0	1,266
35,0	45,0	39,0	6,0	7,0	BWA 0350 0450 060 B0	1,454
36,0	44,0	39,0	4,5	5,0	BWA 0360 0440 045 B0	1,266
36,0	46,0	40,0	6,0	7,0	BWA 0360 0460 060 B0	1,485
40,0	46,0	43,0	4,3	4,8	BWA 0400 0460 043 B0	1,460
40,0	50,0	44,0	6,0	7,0	BWA 0400 0500 060 B0	1,584
45,0	53,0	48,0	4,5	5,0	BWA 0450 0530 045 B0	1,584
45,0	55,0	49,0	6,0	7,0	BWA 0450 0550 060 B0	1,646
50,0	62,0	55,0	7,5	8,5	BWA 0500 0620 075 B0	1,889

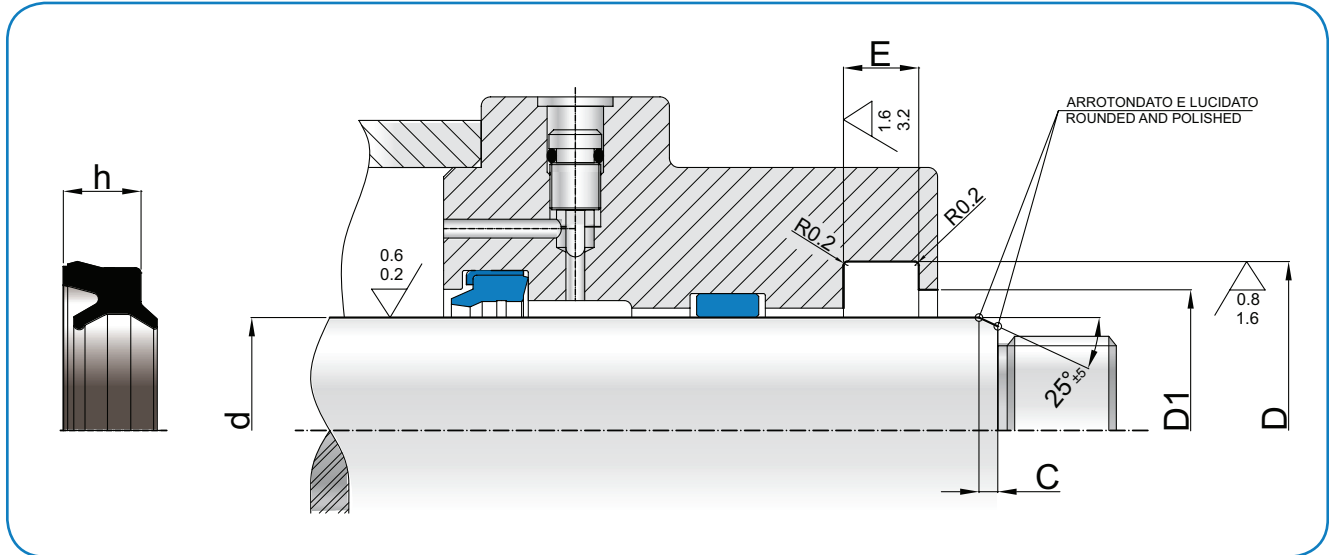
Nota: altre dimensioni non a catalogo a richiesta. Consultare il nostro ufficio tecnico.

Remark: please contact our technical dept. for further dimensions not included in the catalogue.



BWA / N

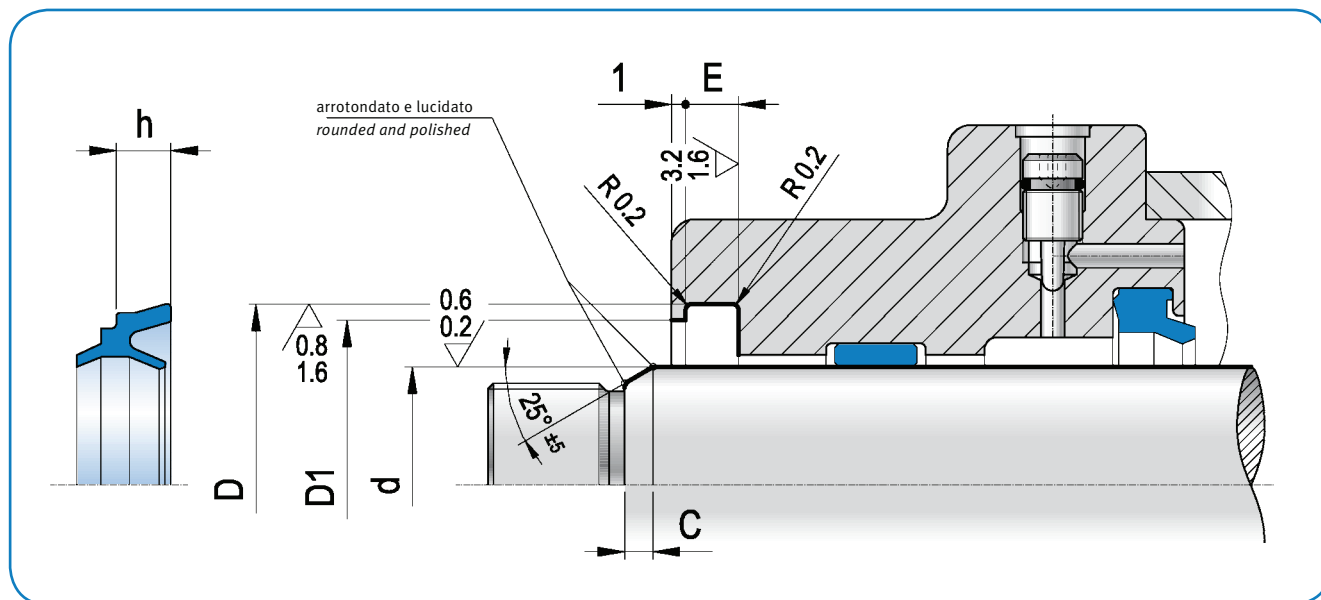
RASCHIATORE BIDIREZIONALE - BI-DIRECTIONAL WIPER



d_{f9}	D_{H10}	D_1	h	$E_{+0,2}$	ART / ITEM	€ cad/each
6	10,8	8	4	4,5	BWA 0060 0108 040 N1	0,945
8	12,8	10	4	4,5	BWA 0080 0128 040 N1	0,966
10	16,8	13	4	4,5	BWA 0100 0168 040 N1	0,987
10	18,0	14	4,5	5	BWA 0100 0180 045 N1	1,008
12	20,0	16	4,5	5	BWA 0120 0200 045 N1	1,029
12	22,0	16	5	6	BWA 0120 0220 050 N1	1,103
14	22,0	18	4,5	5	BWA 0140 0220 045 N1	1,103
14	24,0	18	5	6	BWA 0140 0240 050 N1	1,155
16	24,0	18,5	4,5	5	BWA 0160 0240 045 N1	1,155
16	26,0	20	5	6	BWA 0160 0260 050 N1	1,208
18	26,0	21	4,5	5	BWA 0180 0260 045 N1	1,208
18	28,0	22	5	6	BWA 0180 0280 050 N1	1,260
20	30,0	24	6	7	BWA 0200 0300 060 N1	1,365
22	32,0	26	6	7	BWA 0220 0320 060 N1	1,470
25	35,0	29	6	7	BWA 0250 0350 060 N1	1,575
30	40,0	34	6	7	BWA 0300 0400 060 N1	1,680
40	50,0	44	6	7	BWA 0400 0500 060 N1	1,785

BWS

RASCHIATORE BIDIREZIONALE CON GRADINO BI-DIRECTIONAL WIPER WITH STEP



- RSP
- SRS
- SRSN
- CSA
- PSP
- PSPN
- MPS
- SPS
- SPSN
- MPP
- ISA
- ESA
- NG
- LWA
- BWA
- BWAN
- BWS**
- BWH
- BWHN

d_{f9}	D_{H10}	D_1	h	$E_{+0,2}$	ART / ITEM	€ cad/each
4,0	8,1	6,70	2,8	3,0	BWS 0040 0081 028 B0	0,7
6,0	11,1	9,10	3,3	3,6	BWS 0060 0111 033 B0	0,74
8,0	14,1	12,10	3,3	3,6	BWS 0080 0141 033 B0	0,75
10,0	16,1	14,10	3,8	4,2	BWS 0100 0161 038 B0	0,76
12,0	18,1	15,10	3,8	4,2	BWS 0120 0181 038 B0	0,79
12,0	20,0	18,00	3,6	4,0	BWS 0120 0200 036 B0	0,8
14,0	22,0	20,00	3,6	4,0	BWS 0140 0220 036 B0	0,8
16,0	24,0	22,00	3,6	4,0	BWS 0160 0240 036 B0	0,82

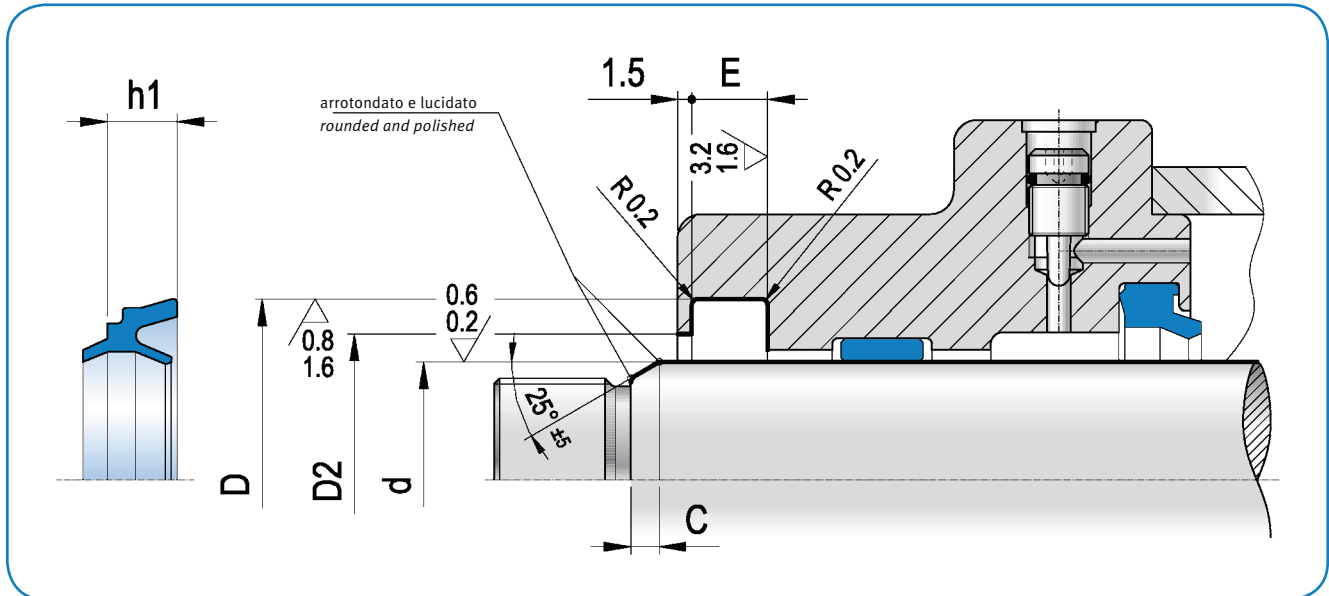
Nota: altre dimensioni non a catalogo a richiesta. Consultare il nostro ufficio tecnico.

Remark: please contact our technical dept. for further dimensions not included in the catalogue.



BWS

RASCHIATORE BIDIREZIONALE CON GRADINO BI-DIRECTIONAL WIPER WITH STEP



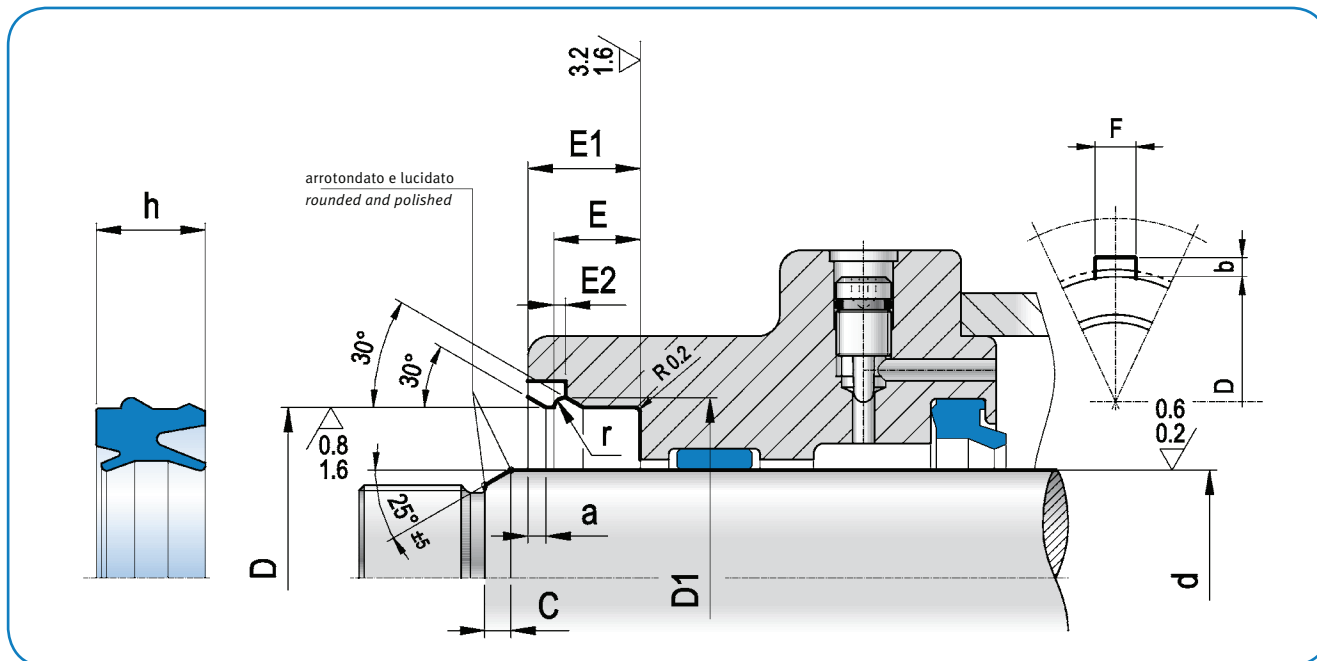
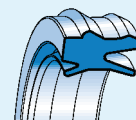
d_f	D_{H10}	D_2	h_1	$E_{+0,2}$	ART / ITEM	€ cad/each
18	26	21,5	5,6	6,0	BWS 0180 0260 056 B0	0,877
20	28	23,5	5,6	6,0	BWS 0200 0280 056 B0	0,877
22	30	25,5	5,6	6,0	BWS 0220 0300 056 B0	1,037
25	33	28,5	5,6	6,0	BWS 0250 0330 056 B0	1,087
28	36	31,5	5,6	6,0	BWS 0280 0360 056 B0	1,131
30	38	33,5	5,6	6,0	BWS 0300 0380 056 B0	1,131
32	40	35,5	5,6	6,0	BWS 0320 0400 056 B0	1,350
35	43	38,5	5,6	6,0	BWS 0350 0430 056 B0	1,350
36	44	39,5	5,6	6,0	BWS 0360 0440 056 B0	1,485
40	46	43,0	4,3	4,8	BWS 0400 0460 043 B0	1,460
40	48	43,5	5,6	6,0	BWS 0400 0480 056 B0	1,584
42	50	45,5	5,6	6,0	BWS 0420 0500 056 B0	1,584
45	53	48,5	5,6	6,0	BWS 0450 0530 056 B0	1,646
50	58	53,5	5,6	6,0	BWS 0500 0580 056 B0	1,693
55	63	58,5	5,6	6,0	BWS 0550 0630 056 B0	1,693
56	64	59,5	5,6	6,0	BWS 0560 0640 056 B0	1,847
60	68	63,5	5,6	6,0	BWS 0600 0680 056 B0	1,847
100	108	103,5	5,6	6,0	BWS 1000 1080 056 B0	2,917

Nota: altre dimensioni non a catalogo a richiesta. Consultare il nostro ufficio tecnico.

Remark: please contact our technical dept. for further dimensions not included in the catalogue.

BWH

RASCHIATORE BIDIREZIONALE CON GANCIO BI-DIRECTIONAL WIPER WITH HOOK

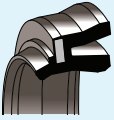


- RSP
- SRS
- SRSN
- CSA
- PSP
- PSPN
- MPS
- SPS
- SPSN
- MPP
- ISA
- ESA
- NG
- LWA
- BWA
- BWAN
- BWS
- BWH**
- BWHN

d_{f9}	D_{H10}	D_1	h	E_1	E	E_2	r	a	b	F	ART / ITEM	€ cad/each
12,0	20,0	22,0	10,7	13,0	8,8	2,5	1,1	1,5	1,8	4,0	BWH 0120 0200 107 B0	1,075
12,0	22,0	24,0	10,7	13,0	8,8	2,5	1,1	1,5	1,8	4,0	BWH 0120 0220 107 B0	1,091
16,0	26,0	28,0	10,7	13,0	8,8	2,5	1,1	1,5	1,8	5,0	BWH 0160 0260 107 B0	1,091
18,0	26,0	28,0	10,7	13,0	8,8	2,5	1,1	1,5	1,8	5,0	BWH 0180 0260 107 B0	1,114
18,0	28,0	30,0	10,7	13,0	8,8	2,5	1,1	1,5	1,8	5,0	BWH 0180 0280 107 B0	1,114
20,0	30,0	32,0	10,7	13,0	8,8	2,5	1,1	1,5	1,8	5,0	BWH 0200 0300 107 B0	1,140
22,0	32,0	34,5	11,2	14,0	9,4	3,0	1,4	2,0	2,0	7,5	BWH 0220 0320 112 B0	1,245
25,0	35,0	37,5	11,2	14,0	9,4	3,0	1,4	2,0	2,0	7,5	BWH 0250 0350 112 B0	1,348
30,0	40,0	42,5	11,2	14,0	9,4	3,0	1,4	2,0	2,0	7,5	BWH 0300 0400 112 B0	1,470
32,0	42,0	44,5	11,2	14,0	9,4	3,0	1,4	2,0	2,0	7,5	BWH 0320 0420 112 B0	1,614
40,0	50,0	52,5	11,2	14,0	9,4	3,0	1,4	2,0	2,0	7,5	BWH 0400 0500 112 B0	1,930
45,0	55,0	58,2	12,2	15,0	10,4	4,0	1,8	2,0	2,5	10,0	BWH 0450 0550 122 B0	2,060
50,0	60,0	63,2	12,2	15,0	10,4	4,0	1,8	2,0	2,5	10,0	BWH 0500 0600 122 B0	2,140
63,0	75,0	78,2	13,0	16,0	11,4	4,0	1,8	2,0	2,5	10,0	BWH 0630 0750 130 B0	2,324

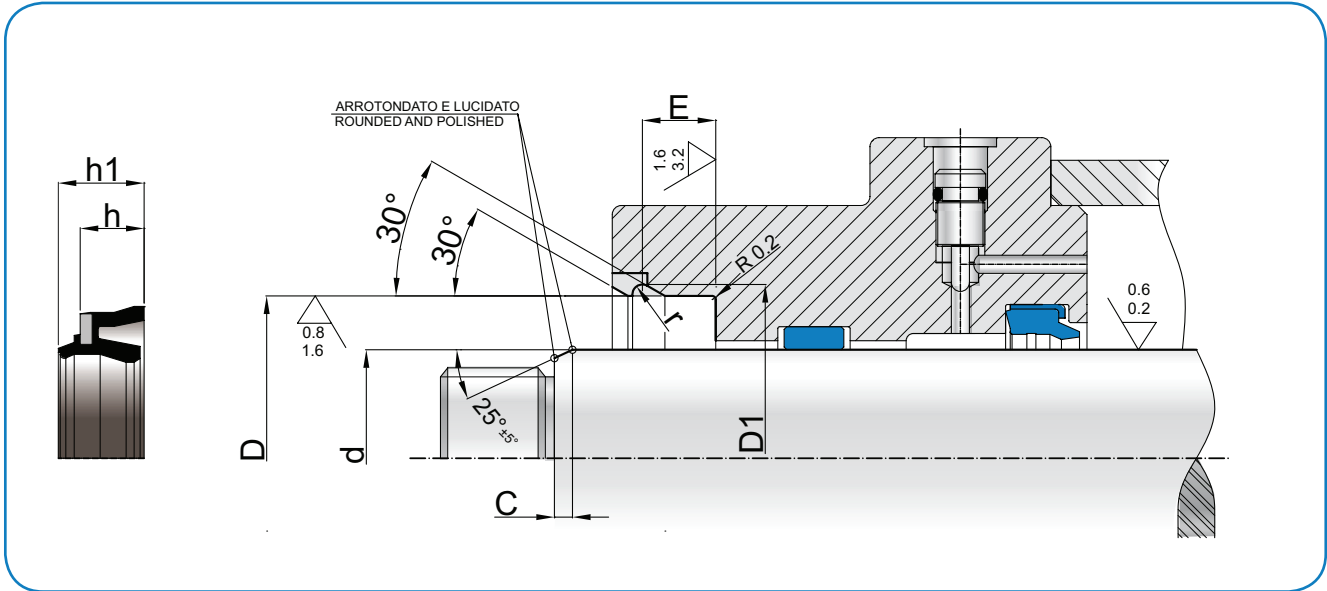
Nota: altre dimensioni non a catalogo a richiesta. Consultare il nostro ufficio tecnico.

Remark: please contact our technical dept. for further dimensions not included in the catalogue.



BWH / N

RASCHIATORE BIDIREZIONALE CON GANCIO BI-DIRECTIONAL WIPER WITH HOOK



df9	DH10	h	ART / ITEM	€ cad/each
10,0	20,0	7,0	BWH 0100 0200 070 NG	1,386
12,0	20,0	6,0	BWH 0120 0200 060 NG	1,386
12,0	22,0	7,0	BWH 0120 0220 070 NG	1,407
14,0	24,0	7,0	BWH 0140 0240 070 NG	1,418
16,0	26,0	7,0	BWH 0160 0260 070 NG	1,428
18,0	26,0	6,0	BWH 0180 0260 060 NG	1,428
18,0	28,0	7,0	BWH 0180 0280 070 NG	1,460
20,0	30,0	7,0	BWH 0200 0300 070 NG	1,523
22,0	32,0	7,0	BWH 0220 0320 070 NG	1,544
25,0	35,0	7,0	BWH 0250 0350 070 NG	1,575
30,0	40,0	7,0	BWH 0300 0400 070 NG	2,100
32,0	42,0	7,0	BWH 0320 0420 070 NG	2,153
40,0	50,0	7,0	BWH 0400 0500 070 NG	2,331
50,0	60,0	7,0	BWH 0500 0600 070 NG	2,657

Sealing Solutions



www.gapigroup.com

